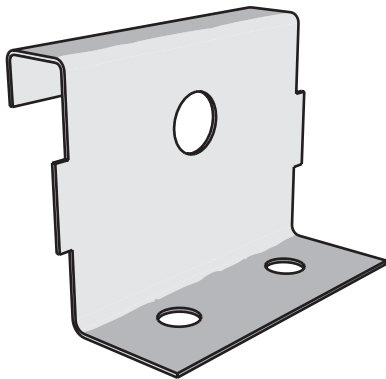




FIXED CLIPS

1 1/2" FIXED CLIP 7/16" WIDE TOP

Our standard 1 1/2" fixed clip with it's 7/16" wide top fits most 1-1/2" mechanically seamed profiles.



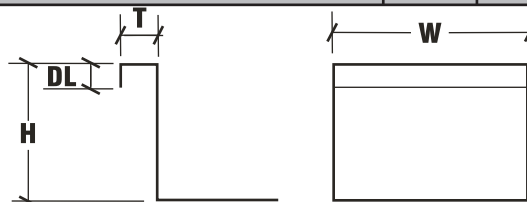
1 1/2" FIXED CLIP 7/16" TOP GALV.

Part Number	Description	Box Qty	Price Each
150-FC-26-G	Fixed Clip, 26ga Galv.	1000	\$0.085
150-FC-24-G	Fixed Clip, 24ga Galv.	1000	\$0.095
150-FC-22-G	Fixed Clip, 22ga Galv.	1000	\$0.105

1 1/2" FIXED CLIP 7/16" TOP 304 STAINLESS

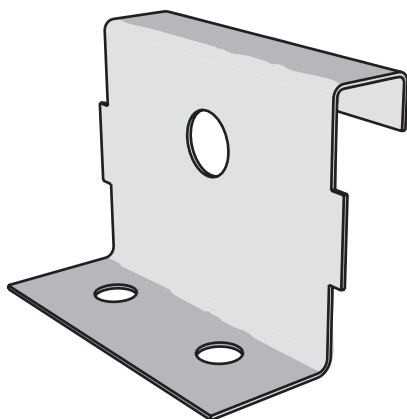
Part Number	Description	Box Qty	Price Each
150-FC-26-S	Fixed Clip, 26ga Stainless	1000	\$0.19
150-FC-24-S	Fixed Clip, 24ga Stainless	1000	\$0.21
150-FC-22-S	Fixed Clip, 22ga Stainless	1000	\$0.22

H = 1-1/2"
W = 2"
DL = 5/16"
T = 7/16"



1 1/2" FIXED CLIP 1/2" WIDE TOP

This clip was designed to specifically fit the Knudson 1 1/2" standing seam profile. The 1/2" wide top also fits other profiles.



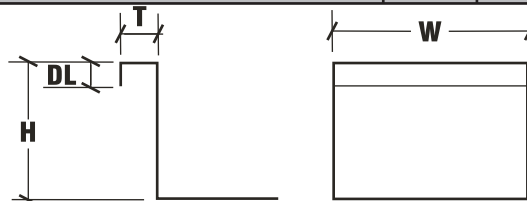
1 1/2" FIXED CLIP 1/2" TOP for KNUDSON GALV

Part Number	Description	Box Qty	Price Each
150-FC-26-G-K	Fixed Clip, 26ga Galv.	1000	\$0.085
150-FC-24-G-K	Fixed Clip, 24ga Galv.	1000	\$0.095
150-FC-22-G-K	Fixed Clip, 22ga Galv.	1000	\$0.105

1 1/2" FIXED CLIP 1/2" TOP for KNUDSON 304 STAINLESS

Part Number	Description	Box Qty	Price Each
150-FC-26-S-K	Fixed Clip, 26ga Stainless	1000	\$0.19
150-FC-24-S-K	Fixed Clip, 24ga Stainless	1000	\$0.21
150-FC-22-S-K	Fixed Clip, 22ga Stainless	1000	\$0.22

H = 1-1/2"
W = 2"
DL = 3/8"
T = 1/2"

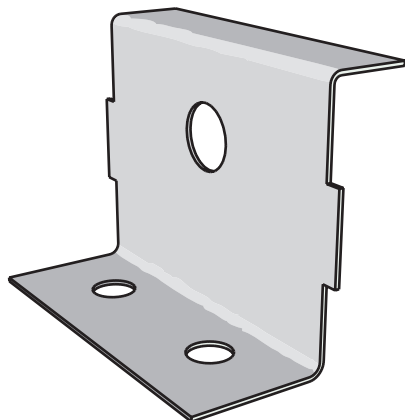


For more info or to place an order call us toll free: **800-943-9771**

FIXED CLIPS



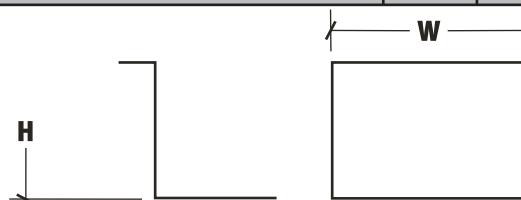
1 1/2" FIXED CLIP 7/16" WIDE TOP NO DOWNLEG



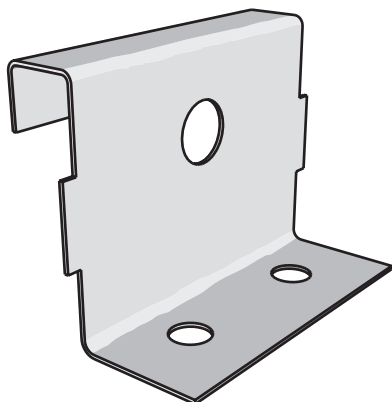
1 1/2" FIXED CLIP 7/16" TOP NO DL GALV.			
Part Number	Description	Box Qty	Price Each
150-FC-26-G-NDL	Fixed Clip, 26ga Galv.	1000	\$0.085
150-FC-24-G-NDL	Fixed Clip, 24ga Galv.	1000	\$0.095
150-FC-22-G-NDL	Fixed Clip, 22ga Galv.	1000	\$0.105

1 1/2" FIXED CLIP 7/16" TOP NO DL 304 STAINLESS			
Part Number	Description	Box Qty	Price Each
150-FC-26-S-NDL	Fixed Clip, 26ga Stainless	1000	\$0.19
150-FC-24-S-NDL	Fixed Clip, 24ga Stainless	1000	\$0.21
150-FC-22-S-NDL	Fixed Clip, 22ga Stainless	1000	\$0.22

H = 1-1/2"
W = 2"
DL = NONE
T = 7/16"



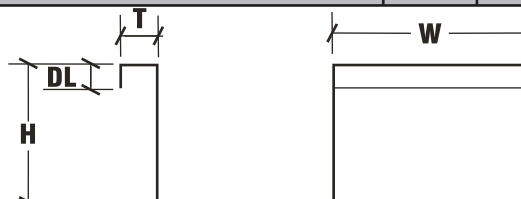
1 1/2" FIXED CLIP 7/16" WIDE TOP 3/8" DOWNLEG



1 1/2" FIXED CLIP 7/16" TOP 3/8" DL GALV			
Part Number	Description	Box Qty	Price Each
150-FC-26-G-38DL	Fixed Clip, 26ga Galv.	1000	\$0.085
150-FC-24-G-38DL	Fixed Clip, 24ga Galv.	1000	\$0.095
150-FC-22-G-38DL	Fixed Clip, 22ga Galv.	1000	\$0.105

1 1/2" FIXED CLIP 7/16" TOP 3/8" DL 304 STAINLESS			
Part Number	Description	Box Qty	Price Each
150-FC-26-S-38DL	Fixed Clip, 26ga Stainless	1000	\$0.19
150-FC-24-S-38DL	Fixed Clip, 24ga Stainless	1000	\$0.21
150-FC-22-S-38DL	Fixed Clip, 22ga Stainless	1000	\$0.22

H = 1-1/2"
W = 2"
DL = 3/8"
T = 7/16"



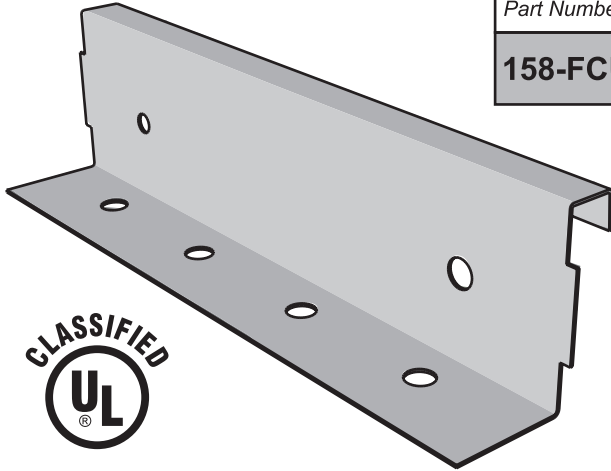
For more info or to place an order call us toll free: **800-943-9771**



FIXED CLIPS

1 1/2" FIXED CLIP UL CLASSIFIED

Our 1 1/2" UL Classified fixed clip fits most profiles of standing seam, including Englert, New Tech, ESE, Rollformer and more!

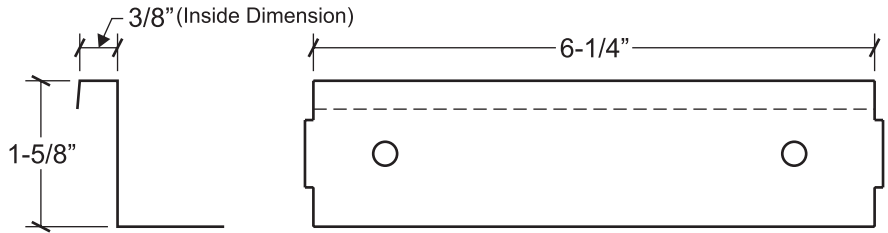


1 1/4" UTILITY SNAPLOCK CLIP 1" DL w/ DE FLAT TONGUE GALV

Part Number	Description	Box Qty	Price Each
158-FCU-24-G	Fixed Clip, 24ga Galv.	250	\$0.345

1 1/4" UTILITY SNAPLOCK CLIP 1" DL w/ DE FLAT TONGUE 304 SS

Part Number	Description	Box Qty	Price Each
158-FCU-24-S	Fixed Clip, 24ga Stainless	250	\$0.655



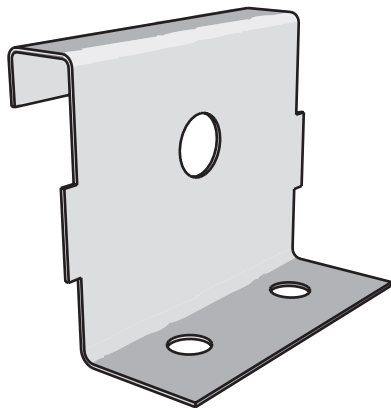
For more info or to place an order call us toll free: **800-943-9771**

FIXED CLIPS



1-5/8" FIXED CLIP 7/16" WIDE TOP

1/8" taller than the standard 1 1/2" clip, this design allows for screw head clearance.



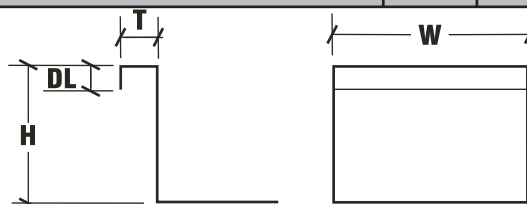
1-5/8" FIXED CLIP 7/16" TOP GALV.

Part Number	Description	Box Qty	Price Each
158-FC-26-G	Fixed Clip, 26ga Galv.	1000	\$0.085
158-FC-24-G	Fixed Clip, 24ga Galv.	1000	\$0.095
158-FC-22-G	Fixed Clip, 22ga Galv.	1000	\$0.105

1-5/8" FIXED CLIP 7/16" TOP 304 STAINLESS

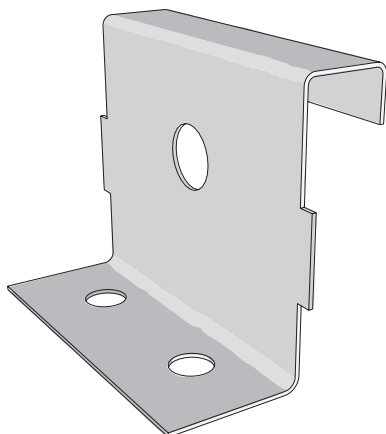
Part Number	Description	Box Qty	Price Each
158-FC-26-S	Fixed Clip, 26ga Stainless	1000	\$0.19
158-FC-24-S	Fixed Clip, 24ga Stainless	1000	\$0.21
158-FC-22-S	Fixed Clip, 22ga Stainless	1000	\$0.22

H = 1-5/8"
W = 2"
DL = 5/16"
T = 7/16"



1-5/8" FIXED CLIP 1/2" WIDE TOP

This clip was designed to specifically fit the Knudson 1 1/2" standing seam profile. The 1/2" wide top also fits other profiles. 1/8" taller than the standard 1 1/2" clip, this design allows for screw head clearance.



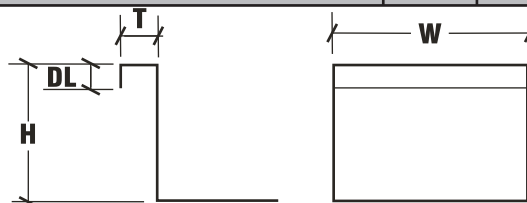
1-5/8" FIXED CLIP 1/2" TOP for KNUDSON GALV

Part Number	Description	Box Qty	Price Each
158-FC-26-G-K	Fixed Clip, 26ga Galv.	1000	\$0.085
158-FC-24-G-K	Fixed Clip, 24ga Galv.	1000	\$0.095
158-FC-22-G-K	Fixed Clip, 22ga Galv.	1000	\$0.105

1-5/8" FIXED CLIP 1/2" TOP for KNUDSON 304 STAINLESS

Part Number	Description	Box Qty	Price Each
158-FC-26-S-K	Fixed Clip, 26ga Stainless	1000	\$0.19
158-FC-24-S-K	Fixed Clip, 24ga Stainless	1000	\$0.21
158-FC-22-S-K	Fixed Clip, 22ga Stainless	1000	\$0.22

H = 1-5/8"
W = 2"
DL = 3/8"
T = 1/2"



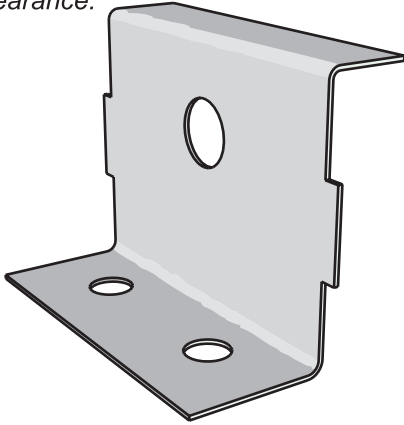
For more info or to place an order call us toll free: **800-943-9771**



FIXED CLIPS

1-5/8" FIXED CLIP 7/16" WIDE TOP NO DOWNLEG

1/8" taller than the standard 1 1/2" clip, this design allows for screw head clearance.



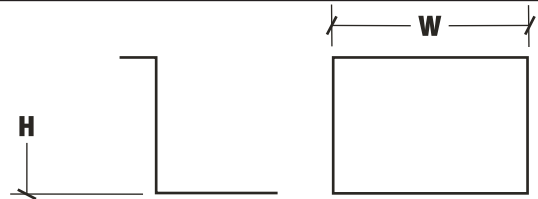
1 1/2" FIXED CLIP 7/16" TOP NO DL GALV.

Part Number	Description	Box Qty	Price Each
158-FC-26-G-NDL	Fixed Clip, 26ga Galv.	1000	\$0.085
158-FC-24-G-NDL	Fixed Clip, 24ga Galv.	1000	\$0.095
158-FC-22-G-NDL	Fixed Clip, 22ga Galv.	1000	\$0.105

1 1/2" FIXED CLIP 7/16" TOP NO DL 304 STAINLESS

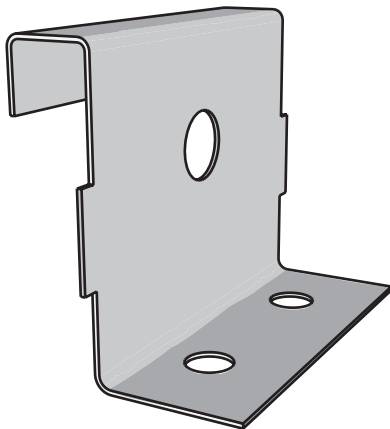
Part Number	Description	Box Qty	Price Each
158-FC-26-S-NDL	Fixed Clip, 26ga Stainless	1000	\$0.19
158-FC-24-S-NDL	Fixed Clip, 24ga Stainless	1000	\$0.21
158-FC-22-S-NDL	Fixed Clip, 22ga Stainless	1000	\$0.22

H = 1-5/8"
W = 2"
DL = NONE
T = 7/16"



1-5/8" FIXED CLIP 7/16" WIDE TOP 3/8" DOWNLEG

1/8" taller than the standard 1 1/2" clip, this design allows for screw head clearance.



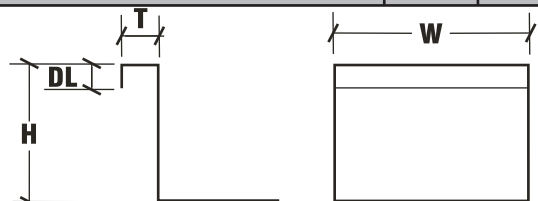
1 1/2" FIXED CLIP 7/16" TOP 3/8" DL GALV

Part Number	Description	Box Qty	Price Each
158-FC-26-G-38DL	Fixed Clip, 26ga Galv.	1000	\$0.085
158-FC-24-G-38DL	Fixed Clip, 24ga Galv.	1000	\$0.095
158-FC-22-G-38DL	Fixed Clip, 22ga Galv.	1000	\$0.105

1 1/2" FIXED CLIP 7/16" TOP 3/8" DL 304 STAINLESS

Part Number	Description	Box Qty	Price Each
158-FC-26-S-38DL	Fixed Clip, 26ga Stainless	1000	\$0.19
158-FC-24-S-38DL	Fixed Clip, 24ga Stainless	1000	\$0.21
158-FC-22-S-38DL	Fixed Clip, 22ga Stainless	1000	\$0.22

H = 1-5/8"
W = 2"
DL = 3/8"
T = 7/16"



For more info or to place an order call us toll free: **800-943-9771**