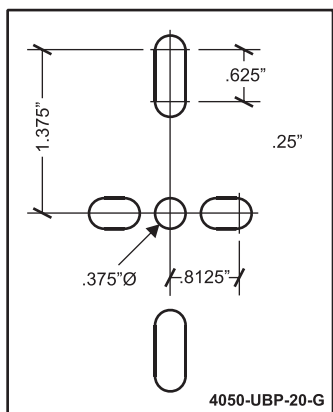
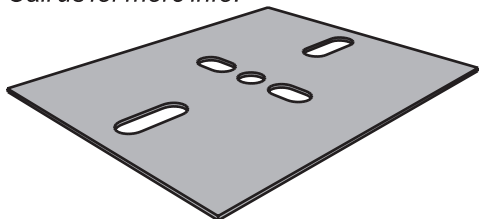


BEARING PLATES



BEARING PLATES UNIVERSAL FIT

Our 4" x 5" Universal Bearing Plate fits most standing seam clips. Other sizes available with the same hole pattern. Call us for more info.



4" x 5" UNIVERSAL BEARING PLATE GALV

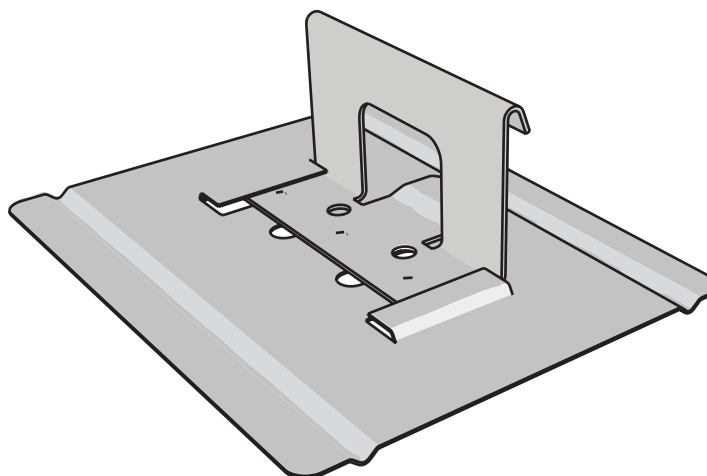
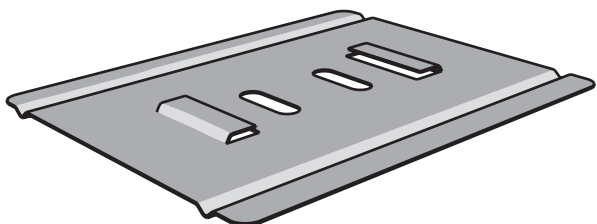
Part Number	Description	Box Qty	Price Each
4050-UBP-24-G	Bearing Plate, 24ga Galv.	Call	\$0.165
4050-UBP-22-G	Bearing Plate, 22ga Galv.	Call	\$0.19
4050-UBP-20-G	Bearing Plate, 20ga Galv.	Call	\$0.235
4050-UBP-18-G	Bearing Plate, 18ga Galv.	Call	\$0.315

4" x 5" UNIVERSAL BEARING PLATE 304 STAINLESS

Part Number	Description	Box Qty	Price Each
4050-UBP-24-S	Bearing Plate, 24ga Stainless	Call	CALL
4050-UBP-22-S	Bearing Plate, 22ga Stainless	Call	CALL
4050-UBP-20-S	Bearing Plate, 20ga Stainless	Call	CALL
4050-UBP-18-S	Bearing Plate, 18ga Stainless	Call	CALL

BEARING PLATES UL SNAPLOCK

Our 5" x 6" bearing plate for the UL Snaplock clip fits most long style snaplock clips. The panel clip snaps into the slots on the bearing plate, making installation easier, lowering your in-place costs.



5060-SLU-24-G Bearing Plate shown with a UL Snaplock Clip

5" x 6" BEARING PLATE for UL SNAPLOCK CLIP PROFILES

Part Number	Description	Box Qty	Price Each
5060-SLU-24-G	Bearing Plate, 24ga Galv.	Call	\$0.235

For more info or to place an order call us toll free: **800-943-9771**



BEARING PLATES

3x3 BEARING PLATES

Our 3" x 3" bearing plates feature a universal hole pattern that fits a variety of clips.

We can modify any of our standard bearing plates to fit your clip with just about any hole pattern.

2" x 3" BEARING PLATE GALV			
Part Number	Description	Box Qty	Price Each
3030-BP-24-G	Bearing Plate, 24ga Galv.	Call	\$0.095
3030-BP-22-G	Bearing Plate, 22ga Galv.	Call	\$0.105
3030-BP-20-G	Bearing Plate, 20ga Galv.	Call	\$0.12
3030-BP-18-G	Bearing Plate, 18ga Galv.	Call	\$0.14

2" x 3" BEARING PLATE 304 STAINLESS			
Part Number	Description	Box Qty	Price Each
3030-BP-24-S	Bearing Plate, 24ga Stainless	Call	Call
3030-BP-22-S	Bearing Plate, 22ga Stainless	Call	Call
3030-BP-20-S	Bearing Plate, 20ga Stainless	Call	Call
3030-BP-18-S	Bearing Plate, 18ga Stainless	Call	Call

3x4 BEARING PLATES

We can modify any of our standard bearing plates to fit your clip with just about any hole pattern.

3" x 4" BEARING PLATE GALV			
Part Number	Description	Box Qty	Price Each
3040-BP-24-G	Bearing Plate, 24ga Galv.	Call	\$0.095
3040-BP-22-G	Bearing Plate, 22ga Galv.	Call	\$0.12
3040-BP-20-G	Bearing Plate, 20ga Galv.	Call	\$0.15
3040-BP-18-G	Bearing Plate, 18ga Galv.	Call	\$0.19

3" x 4" BEARING PLATE 304 STAINLESS			
Part Number	Description	Box Qty	Price Each
3040-BP-24-S	Bearing Plate, 24ga Stainless	Call	Call
3040-BP-22-S	Bearing Plate, 22ga Stainless	Call	Call
3040-BP-20-S	Bearing Plate, 20ga Stainless	Call	Call
3040-BP-18-S	Bearing Plate, 18ga Stainless	Call	Call

For more info or to place an order call us toll free: **800-943-9771**

BEARING PLATES



4x5 BEARING PLATES

We can modify any of our standard bearing plates to fit your clip with just about any hole pattern.

4" x 5" BEARING PLATE GALV			
Part Number	Description	Box Qty	Price Each
4050-BP-24-G	Bearing Plate, 24ga Galv.	Call	\$0.165
4050-BP-22-G	Bearing Plate, 22ga Galv.	Call	\$0.20
4050-BP-20-G	Bearing Plate, 20ga Galv.	Call	\$0.255
4050-BP-18-G	Bearing Plate, 18ga Galv.	Call	\$0.315

4" x 5" BEARING PLATE 304 STAINLESS			
Part Number	Description	Box Qty	Price Each
4050-BP-24-S	Bearing Plate, 24ga Stainless	Call	Call
4050-BP-22-S	Bearing Plate, 22ga Stainless	Call	Call
4050-BP-20-S	Bearing Plate, 20ga Stainless	Call	Call
4050-BP-18-S	Bearing Plate, 18ga Stainless	Call	Call

4x6 BEARING PLATES

We can modify any of our standard bearing plates to fit your clip with just about any hole pattern.

4" x 6" BEARING PLATE GALV			
Part Number	Description	Box Qty	Price Each
4060-BP-24-G	Bearing Plate, 24ga Galv.	Call	\$0.19
4060-BP-22-G	Bearing Plate, 22ga Galv.	Call	\$0.245
4060-BP-20-G	Bearing Plate, 20ga Galv.	Call	\$0.28
4060-BP-18-G	Bearing Plate, 18ga Galv.	Call	\$0.37

4" x 6" BEARING PLATE 304 STAINLESS			
Part Number	Description	Box Qty	Price Each
4060-BP-24-S	Bearing Plate, 24ga Stainless	Call	Call
4060-BP-22-S	Bearing Plate, 22ga Stainless	Call	Call
4060-BP-20-S	Bearing Plate, 20ga Stainless	Call	Call
4060-BP-18-S	Bearing Plate, 18ga Stainless	Call	Call

For more info or to place an order call us toll free: **800-943-9771**



BEARING PLATES

5x5 BEARING PLATES

We can modify any of our standard bearing plates to fit your clip with just about any hole pattern.

5" x 5" BEARING PLATE GALV			
Part Number	Description	Box Qty	Price Each
5050-BP-24-G	Bearing Plate, 24ga Galv.	Call	\$0.20
5050-BP-22-G	Bearing Plate, 22ga Galv.	Call	\$0.245
5050-BP-20-G	Bearing Plate, 20ga Galv.	Call	\$0.29
5050-BP-18-G	Bearing Plate, 18ga Galv.	Call	\$0.395

5" x 5" BEARING PLATE 304 STAINLESS			
Part Number	Description	Box Qty	Price Each
5050-BP-24-S	Bearing Plate, 24ga Stainless	Call	Call
5050-BP-22-S	Bearing Plate, 22ga Stainless	Call	Call
5050-BP-20-S	Bearing Plate, 20ga Stainless	Call	Call
5050-BP-18-S	Bearing Plate, 18ga Stainless	Call	Call

5x6 BEARING PLATES

We can modify any of our standard bearing plates to fit your clip with just about any hole pattern.

5" x 6" BEARING PLATE GALV			
Part Number	Description	Box Qty	Price Each
5060-BP-24-G	Bearing Plate, 24ga Galv.	Call	\$0.235
5060-BP-22-G	Bearing Plate, 22ga Galv.	Call	\$0.385
5060-BP-20-G	Bearing Plate, 20ga Galv.	Call	\$0.42
5060-BP-18-G	Bearing Plate, 18ga Galv.	Call	\$0.465

5" x 6" BEARING PLATE 304 STAINLESS			
Part Number	Description	Box Qty	Price Each
5060-BP-24-S	Bearing Plate, 24ga Stainless	Call	Call
5060-BP-22-S	Bearing Plate, 22ga Stainless	Call	Call
5060-BP-20-S	Bearing Plate, 20ga Stainless	Call	Call
5060-BP-18-S	Bearing Plate, 18ga Stainless	Call	Call

For more info or to place an order call us toll free: **800-943-9771**

BEARING PLATES



6x6 BEARING PLATES

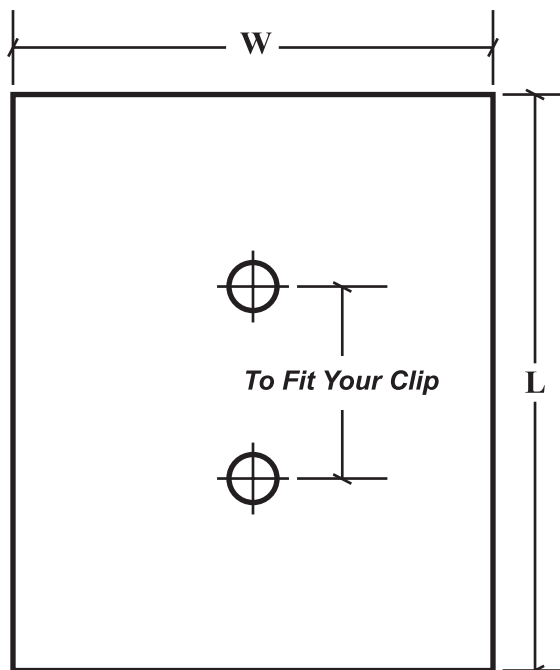
We can modify any of our standard bearing plates to fit your clip with just about any hole pattern.

6" x 6" BEARING PLATE GALV			
Part Number	Description	Box Qty	Price Each
6060-BP-24-G	Bearing Plate, 24ga Galv.	Call	\$0.28
6060-BP-22-G	Bearing Plate, 22ga Galv.	Call	\$0.48
6060-BP-20-G	Bearing Plate, 20ga Galv.	Call	\$0.50
6060-BP-18-G	Bearing Plate, 18ga Galv.	Call	\$0.56

6" x 6" BEARING PLATE 304 STAINLESS			
Part Number	Description	Box Qty	Price Each
6060-BP-24-S	Bearing Plate, 24ga Stainless	Call	Call
6060-BP-22-S	Bearing Plate, 22ga Stainless	Call	Call
6060-BP-20-S	Bearing Plate, 20ga Stainless	Call	Call
6060-BP-18-S	Bearing Plate, 18ga Stainless	Call	Call

When ordering or requesting a quote on bearing plates, please specify width and length, number of holes and diameter, hole pattern and spacing.

It is preferable that a drawing be supplied.



For more info or to place an order call us toll free: **800-943-9771**