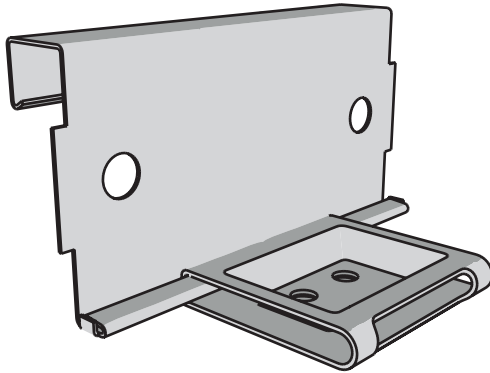




HI-PERFORMANCE CLIPS

HI-PERFORMANCE 2-3/8" EXPANSION CLIPS

Our Hi-Performance Expansion Clip features 1-15/16" total thermal movement, 22ga top and 18ga base. The hook (can be removed at your request) on the down-leg aids installation by supporting the panel during the seaming process. Note that the stainless steel clip utilizes a 22ga 304 stainless top, but uses an 18ga galvanized base.



HI-PERFORMANCE 2-3/8" EXPANSION CLIP 3/4" WIDE GALV.

Part Number	Description	Box Qty	Price Each
238-EC-400-G	Expansion Clip, 24ga Galv Top 18ga Galv Base	250	\$0.815

HI-PERFORMANCE 2-3/8" EXPANSION CLIP 3/4" WIDE 304 SS*

Part Number	Description	Box Qty	Price Each
238-EC-400-S	Expansion Clip, 24ga Stainless Top 18ga Galv Base	250	\$1.60

*Stainless Steel Top w/ Galvanized Base

HI-PERFORMANCE 2-3/8" EXPANSION CLIP 13/16" WIDE for KNUDSON GALV.

Part Number	Description	Box Qty	Price Each
238-EC-400-G-K	Expansion Clip, 24ga Galv Top 18ga Galv Base	250	\$0.815

HI-PERFORMANCE 2-3/8" EXPANSION CLIP 13/16" WIDE for KNUDSON 304 SS*

Part Number	Description	Box Qty	Price Each
238-EC-400-S-K	Expansion Clip, 24ga Stainless Top 18ga Galv Base	250	\$1.60

*Stainless Steel Top w/ Galvanized Base

HI-PERFORMANCE 2-3/8" EXPANSION CLIP 5/8" WIDE for QUADRO-PRO GALV.

Part Number	Description	Box Qty	Price Each
238-EC-400-G-QP	Expansion Clip, 24ga Galv Top 18ga Galv Base	250	\$0.815

HI-PERFORMANCE 2-3/8" EXPANSION CLIP 5/8" WIDE for QUADRO-PRO 304 SS*

Part Number	Description	Box Qty	Price Each
238-EC-400-S-QP	Expansion Clip, 24ga Stainless Top 18ga Galv Base	250	\$1.60

*Stainless Steel Top w/ Galvanized Base

For more info or to place an order call us toll free: **800-943-9771**