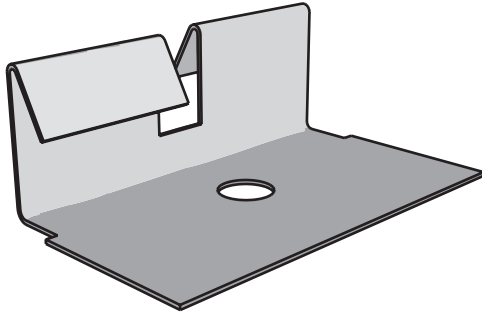




SNAP-ON-SEAM CLIPS

5/8" SNAP-ON-SEAM CLIP

Our 5/8" snap-on-seam clip was designed to specifically fit the Rollformer Corp profile.



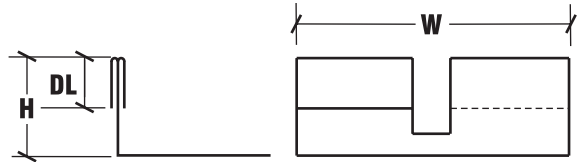
5/8" SNAP-ON-SEAM CLIP for ROLLFORMER GALV.

Part Number	Description	Box Qty	Price Each
58-SNBR-26-G	Snap-on-Seam Clip, 26ga Galv.	1000	\$0.13
58-SNBR-24-G	Snap-on-Seam Clip, 24ga Galv.	1000	\$0.14

5/8" SNAP-ON-SEAM CLIP for ROLLFORMER 304 STAINLESS

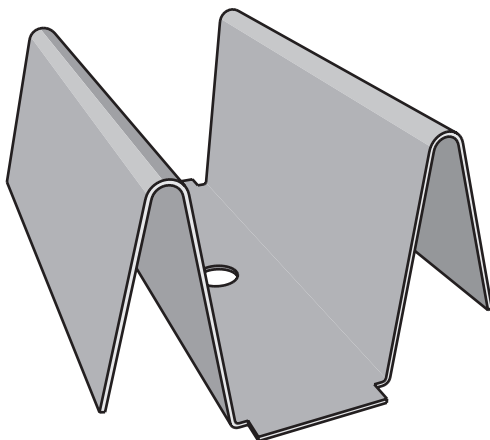
Part Number	Description	Box Qty	Price Each
58-SNBR-26-S	Snap-on-Seam Clip, 26ga Stainless	1000	\$0.29
58-SNBR-24-S	Snap-on-Seam Clip, 24ga Stainless	1000	\$0.29

H = 5/8"
W = 1-3/4"
DL = 5/16"



1 1/2" WIDE BATTEN CLIP

Our wide batten clip fits most traditional style box batten caps.



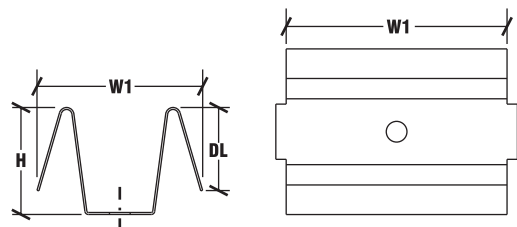
1 1/2" WIDE BATTEN CLIP GALV

Part Number	Description	Box Qty	Price Each
100-WB-26-G	26ga Wide Batten Clip, 26ga Galv.	1000	\$0.175

1 1/2" WIDE BATTEN CLIP 304 STAINLESS

Part Number	Description	Box Qty	Price Each
100-WB-26-S	26ga Wide Batten Clip, 26ga Stainless	1000	\$0.38

H = 31/32"
W1 = 1-1/2"
W2 = 2"
DL = 3/4"

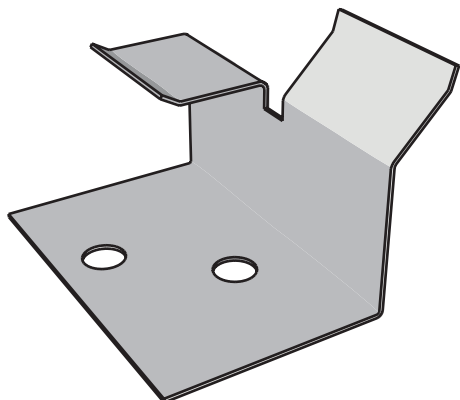


For more info or to place an order call us toll free: **800-943-9771**

SNAP-ON-SEAM CLIPS



1" SNAP-ON-SEAM CLIP



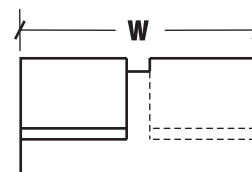
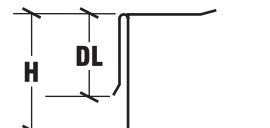
1" SNAP-ON-SEAM CLIP for ROLLFORMER GALV.

Part Number	Description	Box Qty	Price Each
100-SNBR-26-G	Snap-on-Seam Clip, 26ga Galv.	1000	\$0.135
100-SNBR-24-G	Snap-on-Seam Clip, 24ga Galv.	1000	\$0.145

1" SNAP-ON-SEAM CLIP for ROLLFORMER 304 STAINLESS

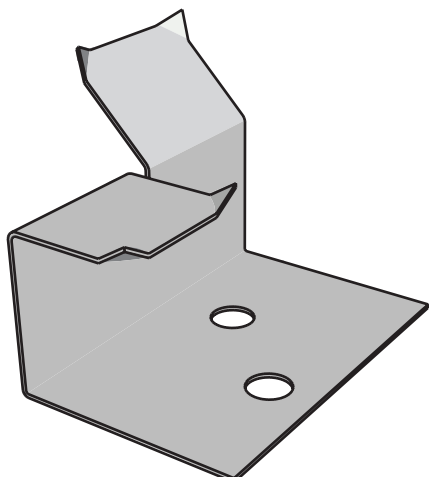
Part Number	Description	Box Qty	Price Each
100-SNBR-26-S	Snap-on-Seam Clip, 26ga Stainless	1000	\$0.23
100-SNBR-24-S	Snap-on-Seam Clip, 24ga Stainless	1000	\$0.23

H = 15/16"
W = 2"
DL = 11/16"



ACTUAL CLIP DOES NOT HAVE LEG FACTORY FOLDED DOWN.

1" SNAP-ON-SEAM CLIP DOGEARS



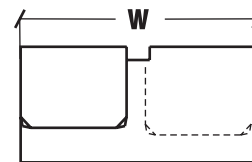
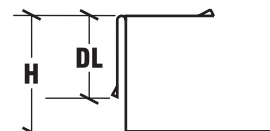
1" SNAP-ON-SEAM CLIP w/ DOGEAR for ROLLFORMER GALV

Part Number	Description	Box Qty	Price Each
100-SNBR-26-G-DE	Snap-on-Seam Clip, 26ga Galv.	1000	\$0.135
100-SNBR-24-G-DE	Snap-on-Seam Clip, 24ga Galv.	1000	\$0.145

1" SNAP-ON-SEAM CLIP w/ DOGEAR for ROLLFORMER 304 SS

Part Number	Description	Box Qty	Price Each
100-SNBR-26-S-DE	Snap-on-Seam Clip, 26ga Stainless	1000	\$0.23
100-SNBR-24-S-DE	Snap-on-Seam Clip, 24ga Stainless	1000	\$0.23

H = 15/16"
W = 2"
DL = 11/16"



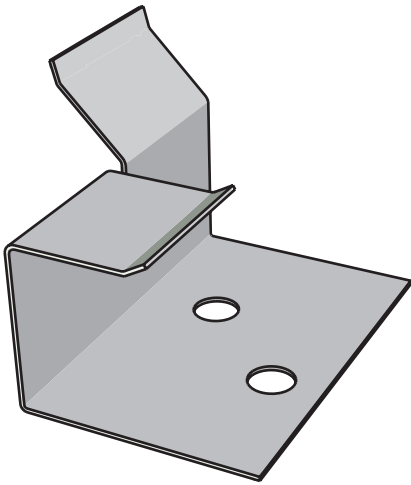
ACTUAL CLIP DOES NOT HAVE LEG FACTORY FOLDED DOWN.

For more info or to place an order call us toll free: **800-943-9771**



SNAP-ON-SEAM CLIPS

1" SNAP-ON-SEAM CLIP 3/4" DOWNLEG



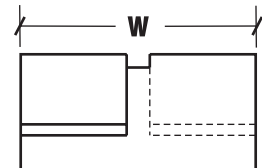
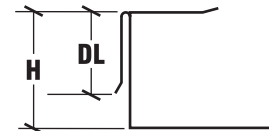
1" SNAP-ON-SEAM CLIP 3/4" DL GALV.

Part Number	Description	Box Qty	Price Each
100-SNBE-26-G	Snap-on-Seam Clip, 26ga Galv.	1000	\$0.135
100-SNBE-24-G	Snap-on-Seam Clip, 24ga Galv.	1000	\$0.145

1" SNAP-ON-SEAM CLIP 3/4" DL 304 STAINLESS

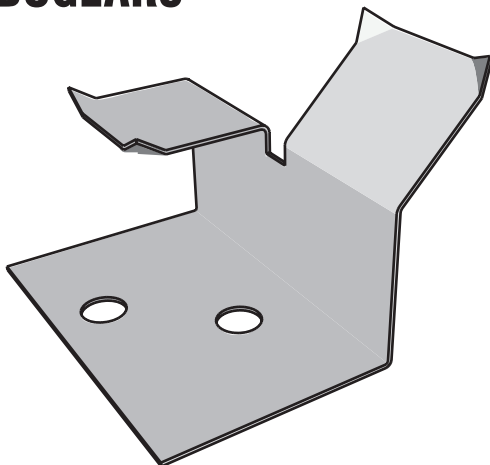
Part Number	Description	Box Qty	Price Each
100-SNBE-26-S	Snap-on-Seam Clip, 26ga Stainless	1000	\$0.23
100-SNBE-24-S	Snap-on-Seam Clip, 24ga Stainless	1000	\$0.23

H = 15/16"
W = 2"
DL = 3/4"



ACTUAL CLIP DOES NOT HAVE LEG FACTORY FOLDED DOWN.

1" SNAP-ON-SEAM CLIP 3/4" DOWNLEG DOGEARS



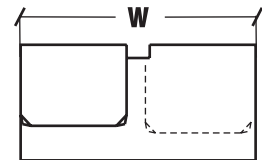
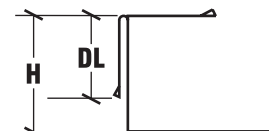
1" SNAP-ON-SEAM CLIP w/ 3/4" DL DOGEAR GALV

Part Number	Description	Box Qty	Price Each
100-SNBE-26-G-DE	Snap-on-Seam Clip, 26ga Galv.	1000	\$0.135
100-SNBE-24-G-DE	Snap-on-Seam Clip, 24ga Galv.	1000	\$0.145

1" SNAP-ON-SEAM CLIP w/ 3/4" DL DOGEAR 304 SS

Part Number	Description	Box Qty	Price Each
100-SNBE-26-S-DE	Snap-on-Seam Clip, 26ga Stainless	1000	\$0.23
100-SNBE-24-S-DE	Snap-on-Seam Clip, 24ga Stainless	1000	\$0.23

H = 15/16"
W = 2"
DL = 3/4"



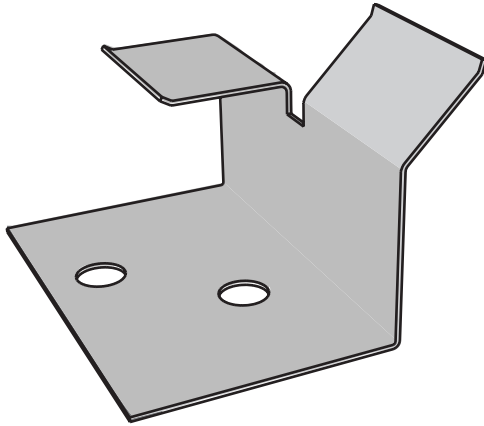
ACTUAL CLIP DOES NOT HAVE LEG FACTORY FOLDED DOWN.

For more info or to place an order call us toll free: **800-943-9771**

SNAP-ON-SEAM CLIPS



1" SNAP-ON-SEAM CLIP 1/16" KICKOUT



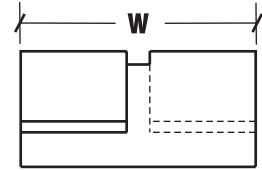
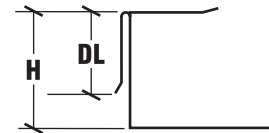
1" SNAP-ON-SEAM CLIP 1/16" KO GALV.

Part Number	Description	Box Qty	Price Each
116-SNBR-26-G	Snap-on-Seam Clip, 26ga Galv.	1000	\$0.135
116-SNBR-24-G	Snap-on-Seam Clip, 24ga Galv.	1000	\$0.145

1" SNAP-ON-SEAM CLIP 1/16" KO 304 STAINLESS

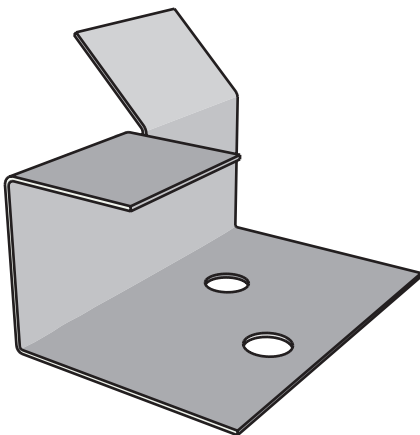
Part Number	Description	Box Qty	Price Each
116-SNBR-26-S	Snap-on-Seam Clip, 26ga Stainless	1000	\$0.23
116-SNBR-24-S	Snap-on-Seam Clip, 24ga Stainless	1000	\$0.23

H = 15/16"
W = 2"
DL = 9/16"
KO = 1/16"



ACTUAL CLIP DOES NOT HAVE LEG FACTORY FOLDED DOWN.

1" SNAP-ON-SEAM CLIP 3/4" DOWNLEG NO KICK-OUT



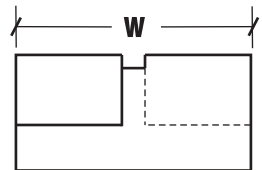
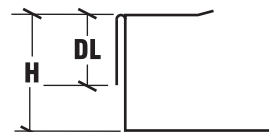
1" SNAP-ON-SEAM CLIP w/ NO KO 3/4" DL O DOGEAR GALV

Part Number	Description	Box Qty	Price Each
100-SNBE-26-G-NKO	Snap-on-Seam Clip, 26ga Galv.	1000	\$0.135
100-SNBE-24-G-NKO	Snap-on-Seam Clip, 24ga Galv.	1000	\$0.145

1" SNAP-ON-SEAM CLIP w/ NO KO 3/4" DL DOGEAR 304 SS

Part Number	Description	Box Qty	Price Each
100-SNBE-26-S-NKO	Snap-on-Seam Clip, 26ga Stainless	1000	\$0.23
100-SNBE-24-S-NKO	Snap-on-Seam Clip, 24ga Stainless	1000	\$0.23

H = 15/16"
W = 2"
DL = 3/4"
KO = NONE

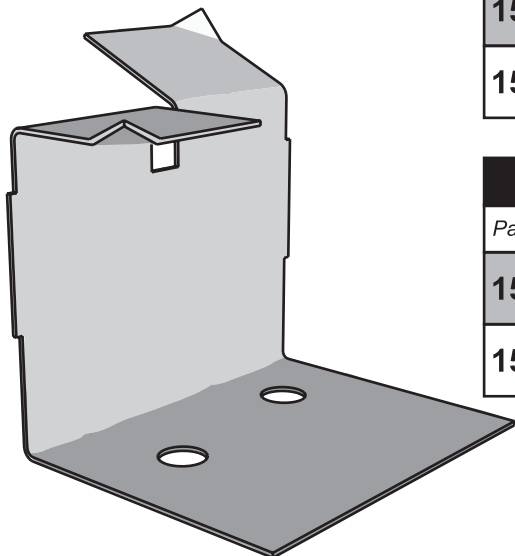


For more info or to place an order call us toll free: **800-943-9771**



SNAP-ON-SEAM CLIPS

1 1/2" SNAP-ON-SEAM CLIP 3/4" DOWNLEG



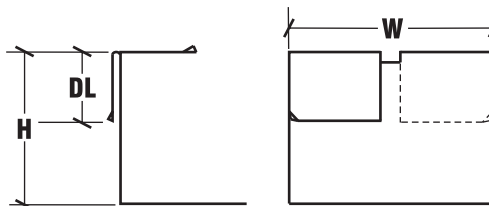
1 1/2" SNAP-ON-SEAM CLIP GALV.

Part Number	Description	Box Qty	Price Each
158-SNB-26-G	Snap-on-Seam Clip, 26ga Galv.	500	\$0.145
158-SNB-24-G	Snap-on-Seam Clip, 24ga Galv.	500	\$0.17

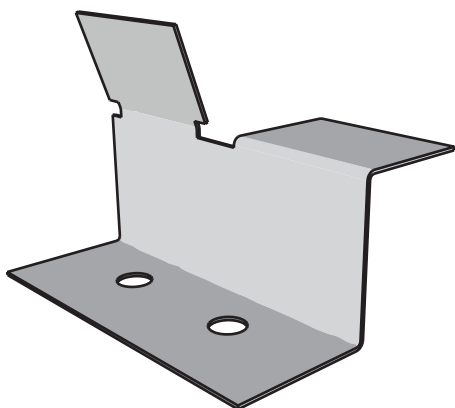
1 1/2" SNAP-ON-SEAM CLIP 304 STAINLESS

Part Number	Description	Box Qty	Price Each
158-SNB-26-S	Snap-on-Seam Clip, 26ga Stainless	500	\$0.26
158-SNB-24-S	Snap-on-Seam Clip, 24ga Stainless	500	\$0.28

H = 1-5/8"
W = 2"
DL = 3/4"



GRAND CURVE NARROW 1" SNAP-ON-SEAM CLIP



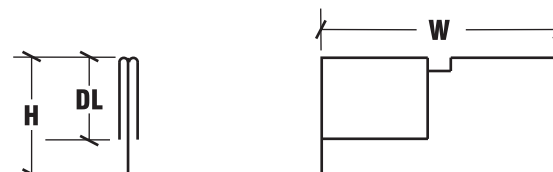
1" SNAP-ON-SEAM CLIP for FABRAL GRAND CURVE GALV

Part Number	Description	Box Qty	Price Each
GCN-24-G	Snap-on-Seam Clip, 24ga Galv.	1000	\$0.14

1" SNAP-ON-SEAM CLIP for FABRAL GRAND CURVE 304 SS

Part Number	Description	Box Qty	Price Each
GCN-24-S	Snap-on-Seam Clip, 24ga Stainless	1000	\$0.30

H = 1-1/16"
W = 2-1/2"
DL = 3/4"



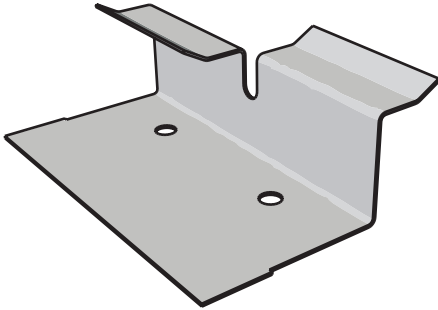
ACTUAL CLIP DOES NOT HAVE LEG FACTORY FOLDED DOWN.

For more info or to place an order call us toll free: **800-943-9771**

SNAP-ON-SEAM CLIPS



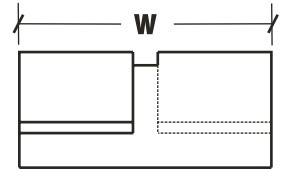
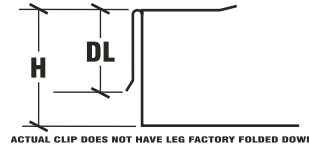
HI-PERFORMANCE 1" SNAP-ON-SEAM CLIP



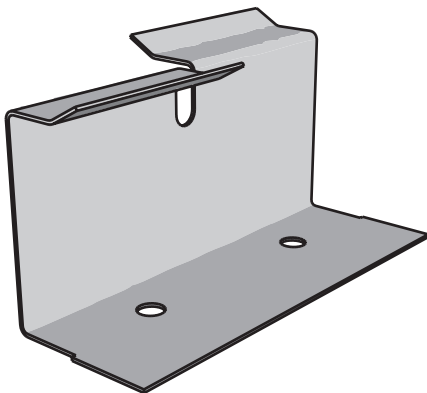
HI-PERFORMANCE 1" SNAP-ON-SEAM CLIP GALV.			
Part Number	Description	Box Qty	Price Each
100-SBU-26-G	Snap-on-Seam Clip, 26ga Galv.	500	\$0.165
100-SBU-24-G	Snap-on-Seam Clip, 24ga Galv.	500	\$0.20

HI-PERFORMANCE 1" SNAP-ON-SEAM CLIP 304 STAINLESS			
Part Number	Description	Box Qty	Price Each
100-SBU-26-S	Snap-on-Seam Clip, 26ga Stainless	500	\$0.38
100-SBU-24-S	Snap-on-Seam Clip, 24ga Stainless	500	\$0.39

H = 7/8"
W = 3"
DL = 5/8"



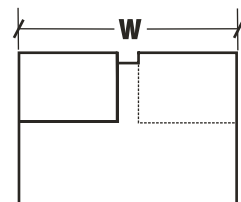
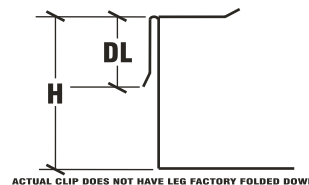
HI-PERFORMANCE 1 1/2" SNAP-ON-SEAM CLIP



HI-PERFORMANCE 1-5/8" SNAP-ON-SEAM CLIP GALV			
Part Number	Description	Box Qty	Price Each
158-SBU-26-G	Snap-on-Seam Clip, 26ga Galv.	250	\$0.22
158-SBU-24-G	Snap-on-Seam Clip, 24ga Galv.	250	\$0.245

HI-PERFORMANCE 1-5/8" SNAP-ON-SEAM CLIP 304 SS			
Part Number	Description	Box Qty	Price Each
158-SBU-26-S	Snap-on-Seam Clip, 26ga Stainless	250	\$0.39
158-SBU-24-S	Snap-on-Seam Clip, 24ga Stainless	250	\$0.40

H = 1-5/8"
W = 3"
DL = 5/8"



For more info or to place an order call us toll free: **800-943-9771**