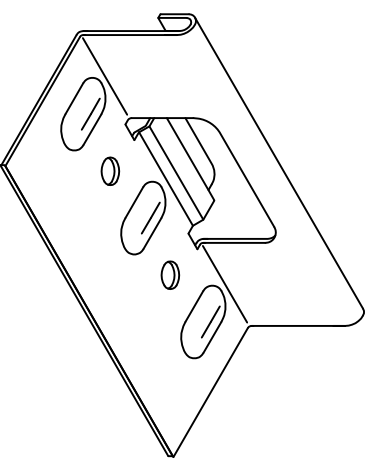


ALL DIMENSIONS ARE
DECIMAL INCHES

TOLERANCE: 0.030±

ISO VIEW SCALE 1:2



100-SLRU-18-G

SPECIFY GAUGE: ▣ 18MSG (0.0449 nom)

SPECIFY MATERIAL: ▣ G-90 33KSI Min Yield

SCALE 1:1

5/24/2008