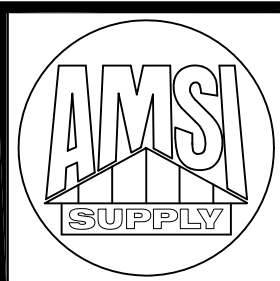
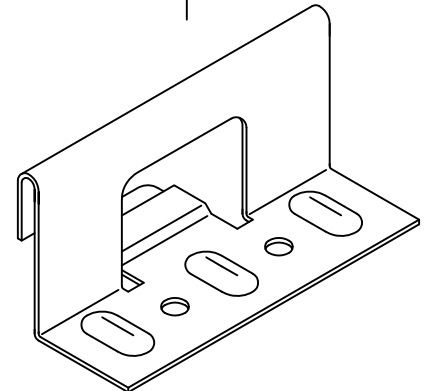


ALL DIMENSIONS ARE DECIMAL INCHES

TOLERANCE: 0.030±



ROOF DECK FASTENERS
 CLASSIFIED BY
 UNDERWRITERS LABORATORIES, INC. ®
 AS TO UPLIFT RESISTANCE ONLY- CLASS 90 AS SHOWN BY
 CONSTRUCTION No 589
 SEE UL ROOFING MATERIALS & SYSTEMS DIRECTORY
 CONTROL NUMBER 52PF



150-SLU-18-G

18 MSG (.0449 Min.)

G90 Galvanized

SCALE=1:1