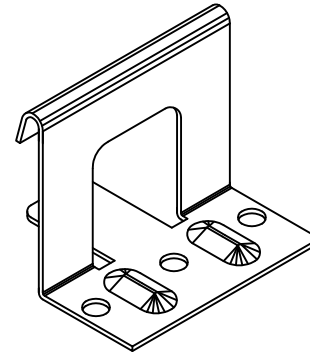


\*\*\*NOTICE\*\*\*

ALL DIMENSIONS ARE  
DECIMAL INCHES

TOLERANCE: 0.025±



ISO VIEW SCALE 1:2

All information contained in this document is proprietary and is not for general distribution. Any dissemination without the express written consent of AMSI is strictly forbidden and will be prosecuted to the full extent allowable by law.



**175-SLZ-18-G(S)**

18 MSG (.0478 Nominal)

G90 Galvanized or 304 Stainless

**SCALE=1:1**