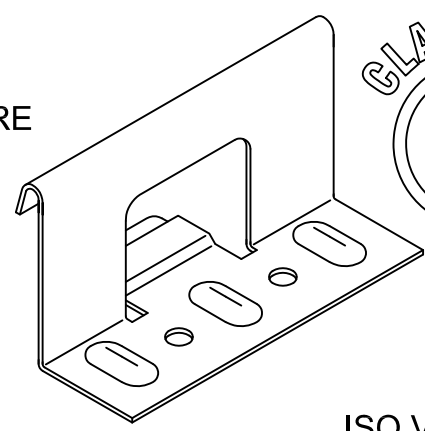


ALL DIMENSIONS ARE
DECIMAL INCHES
TOLERANCE: 0.015±



ISO VIEW SCALE 1:2

NOTICE

All information contained in this document is proprietary and is not for general distribution. Any dissemination without the express written consent of AMSI is strictly forbidden and will prosecuted to the full extent allowable by law

ARCHITECTURAL METAL SPECIALTIES, INC.



178-SLU-18-G(S)

18 MSG (.0449 Min.)
G90 Galvanized or 304 Stainless
SCALE=1:1