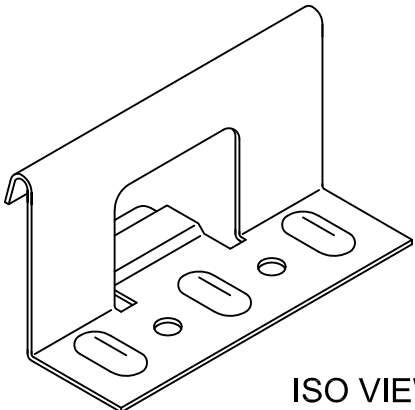
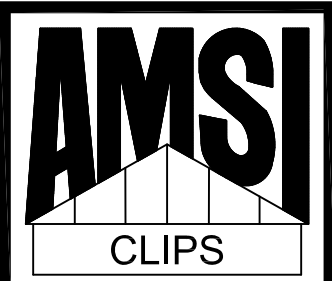


ALL DIMENSIONS ARE
DECIMAL INCHES

TOLERANCE: 0.015±



ISO VIEW SCALE 1:2



178-SLUP-18-G(S)

18 MSG (.0478 Nominal)
G90 Galvanized or 304 Stainless

SCALE=1:1