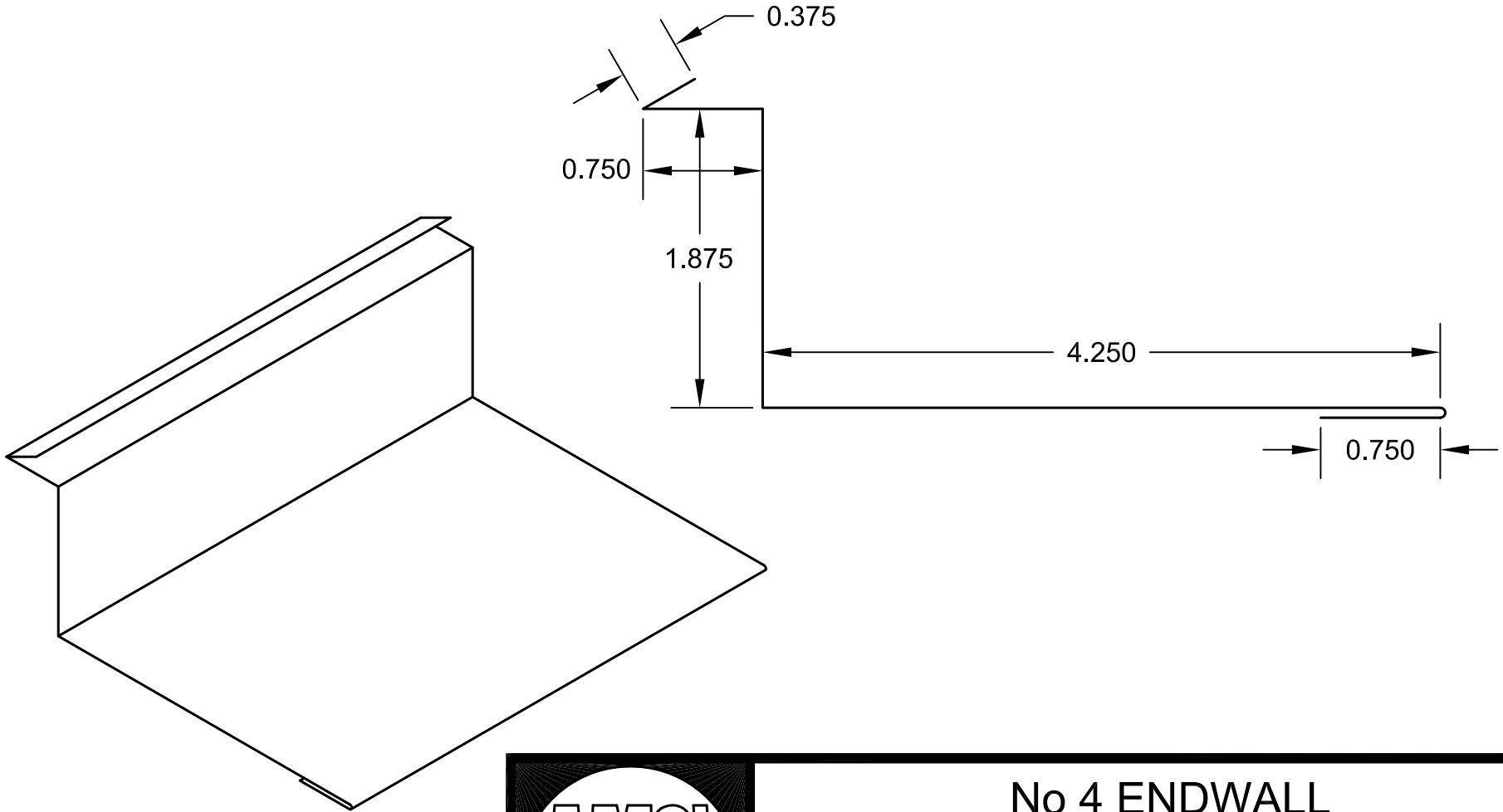


Available in 10'0" Standard Lengths
24ga, 22ga Prepainted & Unpainted Galv. Steel
.032", .040" Prepainted & Unpainted Aluminum
16oz, 20oz, 24oz Copper



ISO VIEW N.T.S.



No 4 ENDWALL

SPECIFY GAUGE:

SPECIFY MATERIAL:

SCALE NTS

1/12/2009