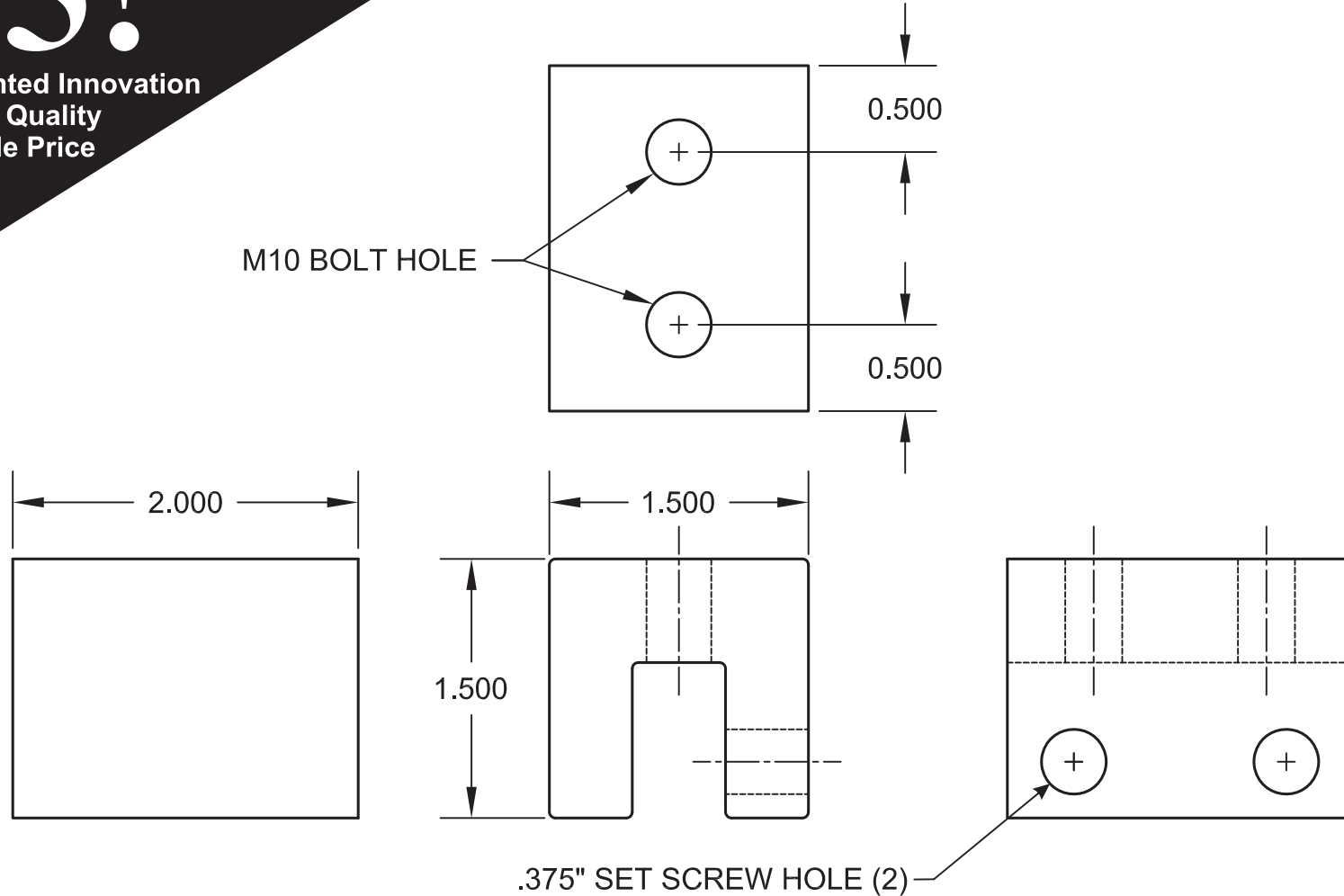


S-5!TM

Unprecedented Innovation
Unmatched Quality
Unbelievable Price

S-5!TM PRODUCTS ARE PROTECTED BY MULTIPLE U.S. AND EUROPEAN PATENTS.
METAL ROOF INNOVATIONS, LTD. (LICENSOR OF S-5!TM TECHNOLOGY)
AGGRESSIVELY PROSECUTES PATENT INFRINGEMENT



Distributed by



S-5-S CLAMP

Manufactured from 6061-T6 aluminum extrusion conforming to ASTM B221 or aluminum casting conforming to ASTM B85 and to AA Aluminum Standards & Data.

Attachment bolts and set screws are 300 Series stainless steel, 18-8 alloy. Set screws are round nose point; cup-point set screws are not permitted.

NOT TO SCALE

3/10/2010