



Everything for the metal roofer!

2017

1.800.943.9771
www.AMSISUPPLY.com



CONTENTS

Dektites.....	4-5
Emseal.....	6
GSSI.....	7
Ruscoe.....	7
Titebond.....	8
Paint Pens.....	9
S5.....	10-15
Screws.....	17-21
Trugrips.....	20-21
Rivets.....	22-23
Drill Bits.....	24
Midwest Snips.....	25-28
Malco Snips.....	29-32
TurboShears.....	33
Irwin Snips.....	34
Vise Grips.....	35-36
Midwest Folding Tools.....	37
Malco Folding Tools.....	38
Bits.....	39
Hex Drivers.....	40
Angle Finders.....	42
Caulk Guns.....	44
Panning Tools.....	45-46
Hand Seamers.....	47
Rau Folding Tools.....	48
Stubai Folding Tools.....	49
Wuko.....	50-57
Metal Roofing & Fabrication.....	58-66
Conductor Heads.....	67
Snap Lock Clips.....	68-84
Batten Clips.....	85-90
Bermuda Clips.....	91-92
Fixed Clips.....	93-106
Expansion Clips.....	107-117
Gutter Hangers.....	118
Bearing Plates.....	119

Dektite® Original

The original watertight flashing for metal roof penetrations. Available in BLACK and GREY EPDM.

It's unique cone design provides 1/2" continuous contact with the flashed pipe providing a watertight seal.

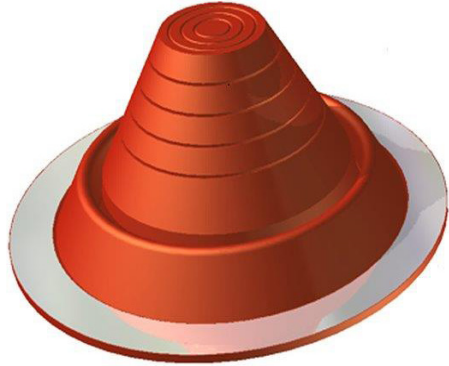
Every Dektite is clearly marked with metric and imperial measurements making it easier to install.

The Dektite original EPDM will withstand constant temperatures at the roofline of -58°F to 239°F (-50°C to 115°C) and up to 302°F (150°C) intermittently.

20 YEAR WARRANTY



Part Number		Description	Fit Range	Base	Box Qty	Price Each
BLACK EPDM	GRAY EPDM					
DF100B	DF100G	Mini Dektite	0" - 1 ³ / ₈ "	3 ³ / ₄ "	40	\$2.85
DF101B	DF101G	No 1 Dektite	1 ¹ / ₄ " - 2 ¹ / ₂ "	4 ³ / ₄ "	10	\$3.25
DF102B	DF102G	No 2 Dektite	1 ³ / ₄ " - 3 ¹ / ₄ "	6 ¹ / ₂ "	10	\$3.60
DF103B	DF103G	No 3 Dektite	1 ¹ / ₄ " - 5"	8"	10	\$3.95
DF104B	DF104G	No 4 Dektite	3" - 6 ¹ / ₄ "	9 ¹ / ₂ "	10	\$6.55
DF105B	DF105G	No 5 Dektite	4 ¹ / ₄ " - 7 ¹ / ₂ "	11"	5	\$7.55
DF106B	DF106G	No 6 Dektite	5" - 9"	12 ³ / ₄ "	5	\$10.25
DF107B	DF107G	No 7 Dektite	6" - 11"	14 ³ / ₄ "	5	\$13.65
DF108B	DF108G	No 8 Dektite	7" - 13"	16 ³ / ₄ "	5	\$16.15
DF109B	DF109G	No 9 Dektite	10" - 19"	25 ¹ / ₂ "	2	\$33.50



Dektite® Silicone

The Original Dektite Silicone High Temperature pipe boot has a working temperature range of -40° to +350°F (-40°C to 177°C). This is the preferred pipe flashing for any penetration that will be exposed to high heat.

20 YEAR WARRANTY

Part Number	Description	Fit Range	Base	Box Qty	Price Each
DF201RE	No 1 Silicone	1/4" - 2 1/2"	4 3/4"	10	\$5.30
DF202RE	No 2 Silicone	1 3/4" - 3 1/4"	6 1/2"	10	\$7.05
DF203RE	No 3 Silicone	1/4" - 5"	8"	10	\$8.60
DF204RE	No 4 Silicone	3" - 6 1/4"	9 1/2"	10	\$16.45
DF205RE	No 5 Silicone	4 1/4" - 7 1/2"	11"	5	\$19.95
DF206RE	No 6 Silicone	5" - 9"	12 3/4"	5	\$22.95
DF207RE	No 7 Silicone	6" - 11"	14 3/4"	5	\$32.00
DF208RE	No 8 Silicone	7" - 13"	16 3/4"	5	\$44.55
DF209RE	No 9 Silicone	10" - 19"	25 1/2"	2	\$70.25

Retrofit® Original

The Retrofit Original pipe boot is constructed of the same EPDM material as the Dektite Original. Made for fast and efficient installation around existing or difficult to access pipes.

The Retrofit Original EPDM will withstand constant temperatures at the roofline of -58°F to 239°F (-50°C to 115°C) and up to 302°F (150°C) intermittently.

The Dektite original EPDM will withstand constant temperatures at the roofline of -58°F to 239°F (-50°C to 115°C) and up to 302°F (150°C) intermittently.

20 YEAR WARRANTY



Part Number	Description	Fit Range	Base	Box Qty	Price Each
RF801G	Retrofit #1	3-4" - 2 3/4"	6 1/4"	10	\$8.05
RF802G	Retrofit #2	2" - 7 1/2"	10 3/4"	5	\$12.70
RF803G	Retrofit #3	3 1/4" - 10"	14 1/2"	5	\$22.20

PRODUCT DESCRIPTION

AST is a self-adhering tape seal made from resilient, open-cell polyurethane foam impregnated with a water-based acrylic-modified asphalt emulsion and then compressed to a sealing density level appropriate to the application. Typically, higher compression levels are required for water-tightness in water run-off applications; lower compression can be used, for example, for snow seals at roof ridges.

AST replaces and outperforms liquid and butyl-tape sealants as well as closed-cell and unimpregnated open-cell foam closures.

PRODUCT USES

AST sealant tape is used to seal out dust, air, wind-driven snow, and moisture through joint details in metal buildings and roofs. AST is ideal as a filler in expansion joint/compression joints subject to movement from thermal expansion and contraction, and as a gasket in mechanically fastened, non-moving applications such as lap seams. AST is suitable for use against metal, plastic, wood, concrete, and other materials common in metal building structures.

LEVELS of SEALING

1-No Seal (material needs some compression to stay in joint)	Zero Compression (fully expanded)	
2-Heat & Cold, Dust, Acoustic	*18%	82%
3-Heat & Cold, Dust, Acoustic, Air	*66% Compression	33%
4-Heat & Cold, Dust, Acoustic, Air, Vapor	*75% Compression	25%
5-Heat & Cold, Dust, Acoustic, Air, Vapor, Water	*80% Compression	20%

PRODUCT FEATURES

- Will not dry out or become hard or brittle
- UV-Stable
- Highly resistant to bugs & vermin
- Will not extrude from joints like caulk or butyl tape
- Conforms to contours & fills gaps
- Maintains seal during thermal expansion and contraction
- Excellent compressibility and recovery (minimal compression set)
- Good thermal and sound insulator
- No shrinkage or blowout to closed-cell breakage
- Supplied with self-adhesive on one side

PRODUCT PRICES

Part Number	Description	Compressed Size in Inches	Expanded Size in Inches	Reel Length in Feet	Price per Reel
25-25-06	AST Hi-Acrylic Closure Sealant Tape	1/4" x 1"	1"x1"	19.68LF	\$11.50
40-25-04	AST Hi-Acrylic Closure Sealant Tape	3/8" x 1"	1 1/16" x 1"	13.12LF	\$12.00
50-25-04	AST Hi-Acrylic Closure Sealant Tape	1/2" x 1"	\$4.30	13.12LF	\$13.95

Shipped compressed to approximately 25% of expanded thickness. After removal from packaging, AST begins gradual expansion-more slowly in cold weather than in hot.

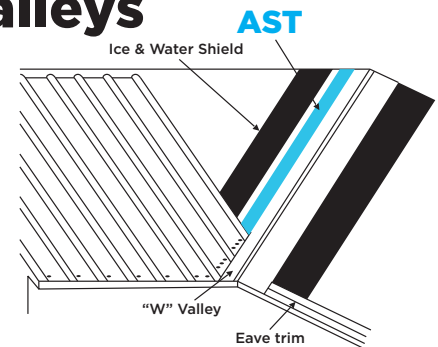


AST Hi Acrylic Metal Roof & Building Sealants

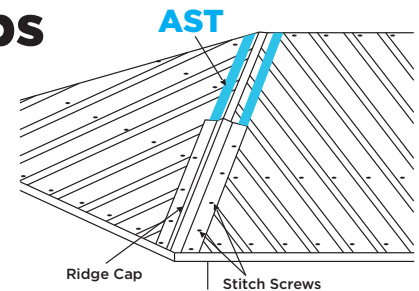
EMSEAL
DATA SHEET



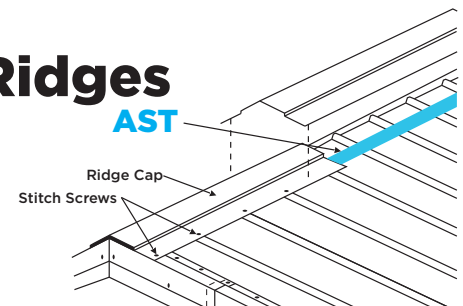
Valleys



Hips



Ridges





BUTYL TAPE

An elastomeric butyl rubber tape extruded on a silicon release paper designed for sealing a variety of construction joints. GSSI-1 meets the stringent requirements of the metal roofing industry. Ultraviolet resistant and designed to withstand extreme temperatures while retaining cold weather formability and elasticity.

GSSI MSDS



BUTYL TAPES			
Part Number	Description	Box Qty	Price Each
GSSI-1	1" x 3/32" x 50' Roll Butyl Tape	10 Rolls	\$3.91
GSSI-5997	3/8" x 3/32" x 45' Roll Butyl Tape	48 Rolls	\$1.42
GSSI-6797	1/2" x 3/32" x 50' Roll Butyl Tape	20 Rolls	\$2.00
GSSI-7597	1/2" x 1/8" x 35' Roll Butyl Tape	40 Rolls	\$1.63
GSSI-10797	7/8" x 3/16" x 40' Double-Bead Roll Butyl Tape	10 Rolls	\$3.78
GSSI-12397	2" x 3/16" x 35' Double Roll Butyl Tape	4 Rolls	\$5.88
GSSI-13597	2 1/2" x 1/8" x 20' Triple-Bead Roll Butyl Tape	6 Rolls	\$4.10



Drawings are for illustrative purpose. Actual part may vary due to production tolerances, etc.



HV CLEAR SEALANT

Ruscoe HV Clear High Viscosity Urethane sealant is an excellent choice for vertical and angular sealant jobs such as at doors, windows, metal lap joints, zee closures and any sloped area. A great all-around roof sealant, Ruscoe HV Clear can be applied at temperatures as low as 32°F.

RUSCOE CONSTRUCTION SEALANTS			
Part Number	Description	Box Qty	Price Each
CLR-HV	Ruscoe HV Clear Sealant, 10.4oz Tubes	24 Tubes	\$5.00





Titebond® WeatherMaster™ Metal Roof Sealant is specifically formulated to outperform all other sealant technologies, including VOC solvent, silicones, tripolymers and urethanes. This superior polymer formula provides a weather-tight seal against water, wind, dust and dirt. It offers exceptional adhesion to Kynar™ coated metal materials, along with standard metal, aluminum, steel, galvanized bonderized surfaces, plastics and glass. The product is ideal for use on a wide variety of metal roof, trim, architectural metal siding, aluminum, galvanized steel, galvanized gutters, flashing and downspouts. It also provides unbeatable adhesion to wood, masonry, PVC and most common building materials.

- Workable down to 0°F (-18°C)
- Permanently flexible - won't crack
- Exceptional adhesion to Kynar™ coated metals
- Excellent adhesion to most contraction materials
- Available in 26 colors plus clear
- 98% solids for minimal shrinking
- Joint movement capability of +/- 50% (translucent 25%)
- Paintable one hour after application with water based (latex) paint (translucent is not paintable)

TITEBOND WeatherMaster™ SEALANT

Part Number	Description	Box Qty	Price Each
61011	Titebond Sealant REGAL WHITE , 10.1oz	12	\$4.50
61021	Titebond Sealant BONE WHITE , 10.1oz	12	\$4.50
61031	Titebond Sealant STONE WHITE , 10.1oz	12	\$4.50
61111	Titebond Sealant TRANSLUCENT , 10.1oz	12	\$4.50
61121	Titebond Sealant MATTE BLACK , 10.1oz	12	\$4.50
61141	Titebond Sealant MANSARD BROWN , 10.1oz	12	\$4.50
61341	Titebond Sealant DARK BRONZE , 10.1oz	12	\$4.50
61351	Titebond Sealant MED. BRONZE , 10.1oz	12	\$4.50
61431	Titebond Sealant BURGUNDY , 10.1oz	12	\$4.50
61441	Titebond Sealant COLONIAL RED , 10.1oz	12	\$4.50
61451	Titebond Sealant TERRA COTTA , 10.1oz	12	\$4.50
61461	Titebond Sealant BANNER RED , 10.1oz	12	\$4.50
61591	Titebond Sealant ALMOND , 10.1oz	12	\$4.50
61601	Titebond Sealant SANDSTONE , 10.1oz	12	\$4.50
61611	Titebond Sealant SURREY BEIGE , 10.1oz	12	\$4.50
61621	Titebond Sealant SIERRA TAN , 10.1oz	12	\$4.50
61781	Titebond Sealant HARTFORD GREEN , 10.1oz	12	\$4.50
61801	Titebond Sealant PATINA GREEN , 10.1oz	12	\$4.50
61821	Titebond Sealant CLASSIC GREEN , 10.1oz	12	\$4.50
62201	Titebond Sealant SLATE BLUE , 10.1oz	12	\$4.50
62211	Titebond Sealant REGAL BLUE , 10.1oz	12	\$4.50
62421	Titebond Sealant SLATE GRAY , 10.1oz	12	\$4.50
62451	Titebond Sealant CHARCOAL GRAY , 10.1oz	12	\$4.50
62461	Titebond Sealant PEWTER , 10.1oz	12	\$4.50
62611	Titebond Sealant BRIGHT SILVER , 10.1oz	12	\$4.50
62621	Titebond Sealant BRIGHT COPPER , 10.1oz	12	\$4.50



KYNAR PAINT PENS

The Drexmet™ Kynar® Paint Pen is the first of its kind in the industry and utilizes an air dry Kynar® Fluoropolymer paint system. Developed with the contractor in mind, the Drexmet™ Kynar® Paint Pen is the lower cost and more efficient alternative to other touch up systems.

This paint pen allows the user to quickly and easily touch up scratches on metal panels with no waste, spillage, no brushes or cleanup, eliminating future problems and saving both time and money.

- Shelf life of up to 6 years
- 1 Pen = Approx. 144" (12'0") lineal coverage

Custom colors available. Extended lead times and minimum quantities may apply. Please call for more info.



KYNAR PAINT PENS

Part Number	Description	Color	Price Each
DM-PP-AC	1/2 oz. Drexmet™ KYNAR® Paint Pen	AGED COPPER	\$18.25
DM-PP-DG	1/2 oz. Drexmet™ KYNAR® Paint Pen	DOVE GRAY	\$18.25
DM-PP-B	1/2 oz. Drexmet™ KYNAR® Paint Pen	BURGUNDY	\$18.25
DM-PP-CR	1/2 oz. Drexmet™ KYNAR® Paint Pen	COLONIAL RED	\$18.25
DM-PP-DB	1/2 oz. Drexmet™ KYNAR® Paint Pen	DARK BRONZE	\$18.25
DM-PP-FG	1/2 oz. Drexmet™ KYNAR® Paint Pen	FOREST GREEN	\$18.25
DM-PP-HG	1/2 oz. Drexmet™ KYNAR® Paint Pen	HEMLOCK GREEN	\$18.25
DM-PP-MBK	1/2 oz. Drexmet™ KYNAR® Paint Pen	MATTE BLACK	\$18.25
DM-PP-MBN	1/2 oz. Drexmet™ KYNAR® Paint Pen	MANSARD BROWN	\$18.25
DM-PP-PG	1/2 oz. Drexmet™ KYNAR® Paint Pen	PATINA GREEN	\$18.25
DM-PP-DBS	1/2 oz. Drexmet™ KYNAR® Paint Pen	DEEP BLUE SEA	\$18.25
DM-PP-BR	1/2 oz. Drexmet™ KYNAR® Paint Pen	BRILLIANCE RED	\$18.25
DM-PP-RW	1/2 oz. Drexmet™ KYNAR® Paint Pen	REGAL WHITE	\$18.25
DM-PP-MBZ	1/2 oz. Drexmet™ KYNAR® Paint Pen	MEDIUM BRONZE	\$18.25
DM-PP-SG	1/2 oz. Drexmet™ KYNAR® Paint Pen	SLATE GRAY	\$18.25
DM-PP-SLB	1/2 oz. Drexmet™ KYNAR® Paint Pen	SLATE BLUE	\$18.25
DM-PP-SS	1/2 oz. Drexmet™ KYNAR® Paint Pen	SANDSTONE	\$18.25
DM-PP-ST	1/2 oz. Drexmet™ KYNAR® Paint Pen	SIERRA TAN	\$18.25
DM-PP-BW	1/2 oz. Drexmet™ KYNAR® Paint Pen	BONE WHITE	\$18.25
DM-PP-TB	1/2 oz. Drexmet™ KYNAR® Paint Pen	TEAL BLUE	\$18.25
DM-PP-TC	1/2 oz. Drexmet™ KYNAR® Paint Pen	TERRA COTTA	\$18.25
DM-PP-HFG	1/2 oz. Drexmet™ KYNAR® Paint Pen	HARTFORD GREEN	\$18.25



S-5! CLAMPS

S-5! Clamps can be used to mount just about anything on a standing seam metal roof!

Mounting ideas include:

- Snow retention (ColorGard & others) Satellite dishes
- Walkways
- Cable trays
- Signs
- Solar modules
- Fall protection (OSHA approved systems)

S-5! Mini CLAMPS

S-5! Clamps are also available in mini sizes for most applications where extreme holding power (snow retention for example) is not required. Despite their smaller size, S-5! mini clamps have incredible holding power and are suitable for:

- Satellite dishes
- Cable trays
- Signs
- Rooftop lighting
- Lightning protection systems
- Exhaust stack bracing
- Conduit
- Smaller mechanical equipment
- Condensate lines
- Solar arrays (S-5! PV Kits for example)

S-5! CLAMPS

Part Number	Description	Box Qty	1-50 PCS	51 - 150pcs	151-500 pieces	501-1000 pieces
S5E	S-5! Aluminum Clamp	60	\$3.70	\$3.60	\$3.45	\$3.30
S5H90	S-5! Aluminum Clamp	30	\$5.80	\$5.60	\$5.40	\$5.20
S5N	S-5! Aluminum Clamp	30	\$5.20	\$5.00	\$4.80	\$4.65
S5S	S-5! Aluminum Clamp	30	\$4.60	\$4.45	\$4.30	\$4.15
S5T	S-5! Aluminum Clamp	48	\$7.65	\$7.35	\$7.10	\$6.85
S5U	S-5! Aluminum Clamp	30	\$6.65	\$6.40	\$6.20	\$5.95
S5V	S-5! Aluminum Clamp	30	\$5.20	\$5.00	\$4.80	\$4.60

CALL FOR SPECIAL PRICES ON QUANTITIES GREATER THAN 1,000 PCS

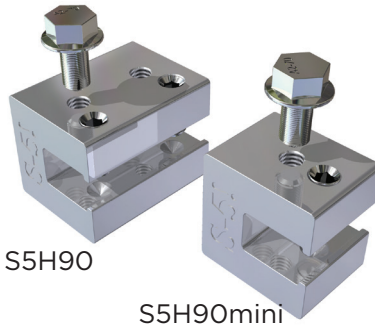
NOTE: All S-5! clamps come with two (2) stainless steel set screws and one M8 stainless steel hex bolt. While some S-5! Clamps feature set screw holes on both sides, they are designed to be used with two (2) set screws only, both on the same side for the clamp.

S-5! MINI CLAMPS

Part Number	Description	Box Qty	1-50 PCS	51 - 150 PCS	151-500 PCS	501-1000 PCS
S5E Mini	S-5! Aluminum Mini Clamp	90	\$3.25	\$3.10	\$3.00	\$2.85
S5N Mini	S-5! Aluminum Mini Clamp	50	\$4.60	\$4.45	\$4.25	\$4.10
S5S Mini	S-5! Aluminum Mini Clamp	50	\$3.90	\$3.75	\$3.60	\$3.50
S5U Mini	S-5! Aluminum Mini Clamp	50	\$4.64	\$4.34	\$4.13	\$3.95

CALL FOR SPECIAL PRICES ON QUANTITIES GREATER THAN 1,000 PCS

NOTE: All S-5! mini clamps come with one (1) stainless steel set screw and one M8 stainless steel hex bolt. While some S-5! Mini Clamps feature set screw holes on both sides, they are designed to be used with one (1) set screws only.



S5H90

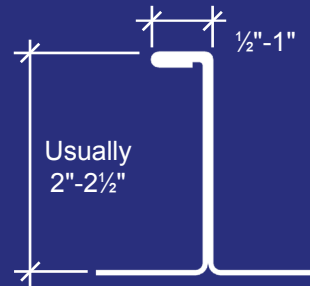
S5H90mini

S5H90 & S5H90 Mini Clamps

The new S5H90 S5H90 mini clamps are designed to specifically fit 90° (horizontal) seamed roof panels. These clamps supersede the S5U in these applications, with identical performance and fit. Do not use on copper panels.

Call **800-943-9771** for more information.

S5H90 & S5H90 mini clamps are used on metal roof panels that look like this:



S5H90
Data Sheet



S5V

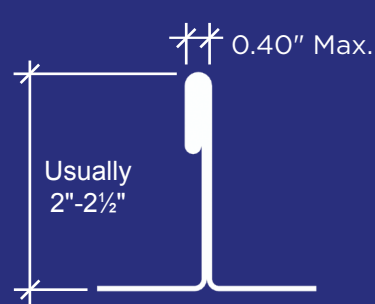
S5Vmini

S5V & S5V Mini Clamps

The new S5H90 S5H90 mini clamps are designed to specifically fit 180° (vertical) seamed roof panels. These clamps supersede the S5U in these applications, with identical performance and fit. Do not use on copper panels.

Call **800-943-9771** for more information.

S5V & S5V mini clamps are used on metal roof panels that look like this:



S5V
Data Sheet



S5E

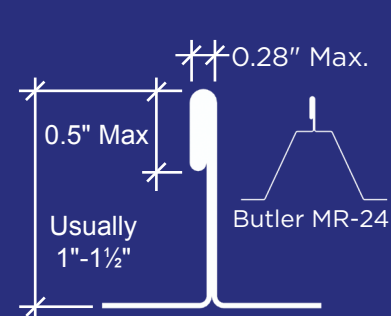
S5Emini

S5E & S5E Mini Clamps

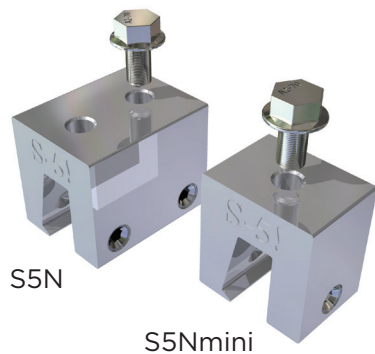
S5E & S5Emini clamps are designed for use on steel, aluminum and zinc roof panels. Aluminum construction with all stainless steel hardware. Use on most common double-lock panels (.5" lock) including Bulter MR-24.

Call **800-943-9771** for more information.

S5E & S5E mini clamps are used on metal roof panels that look like this:



S5E
Data Sheet



S5N

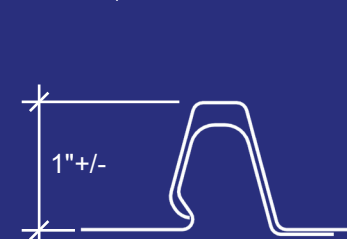
S5Nmini

S5N & S5N Mini Clamps

S5N & S5Nmini clamps are designed and tested for use on most major "nail-strip" roof panel profiles. For use on steel, aluminum and zinc panels. Not for use on copper panels.

Call **800-943-9771** for more information.

S5N & S5N mini clamps are used on metal roof panels that look like this:



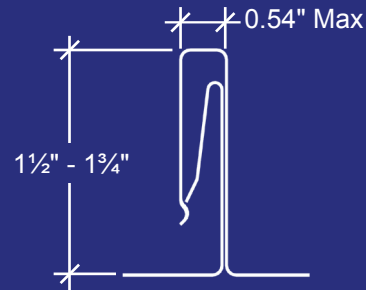
S5N
Data Sheet



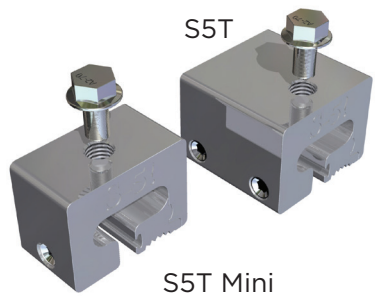
S5S & S5S Mini Clamps

S5S & S5S mini clamps were designed to specifically fit snap-lock panels with wider tops. Use on any aluminum, steel or zinc panels. Not for use on copper. Call **800-943-9771** for more information.

S5S & S5S mini clamps are used on metal roof panels that look like this:



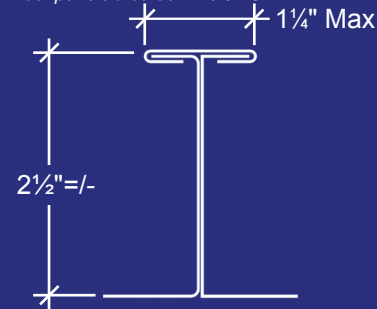
S5S
Data Sheet



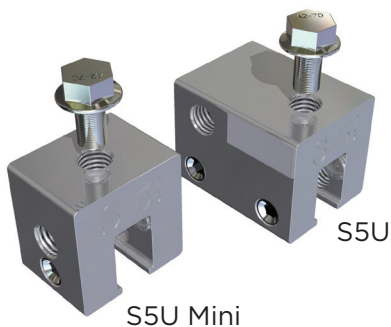
S5T & S5T Mini Clamps

S5T & S5T mini clamps fit most common "T" rib roof panels. Aluminum construction with all stainless steel hardware for steel, aluminum and zinc projects. Call **800-943-9771** for more information.

S5T & S5T mini clamps are used on metal roof panels that look like this:



S5T
Data Sheet



S5U & S5U Mini Clamps

S5U & S5U mini clamps feature universal fitment with mounting holes on 3 sides and set screws on two opposing sides to provide plenty of mounting possibilities.

These clamps will fit on many mechanically seamed roof panels with seams from 1"-3" or taller, a variety of snaplock panels and just about anything else that the others won't fit.

The opening at the "pocket" measures 0.40" wide and 0.90" deep.

The S5U clamp also features an M10 set screw for additional strength and holding power may be required.

For more info on call us at: **800-943-9771**



S5U
Data Sheet

The S-5-PV Kit & EdgeGrab™

The new S-5-PV Kit is one of the first solar module mounting solutions in the industry to be listed to the new UL subject 2703, a standard that covers both bonding and mounting. In order to meet the UL requirements, the S-5-PV Kit had to be submitted for tests, being evaluated under the severest of conditions to confirm that the product would withstand the elements while maintaining electrical conductivity.

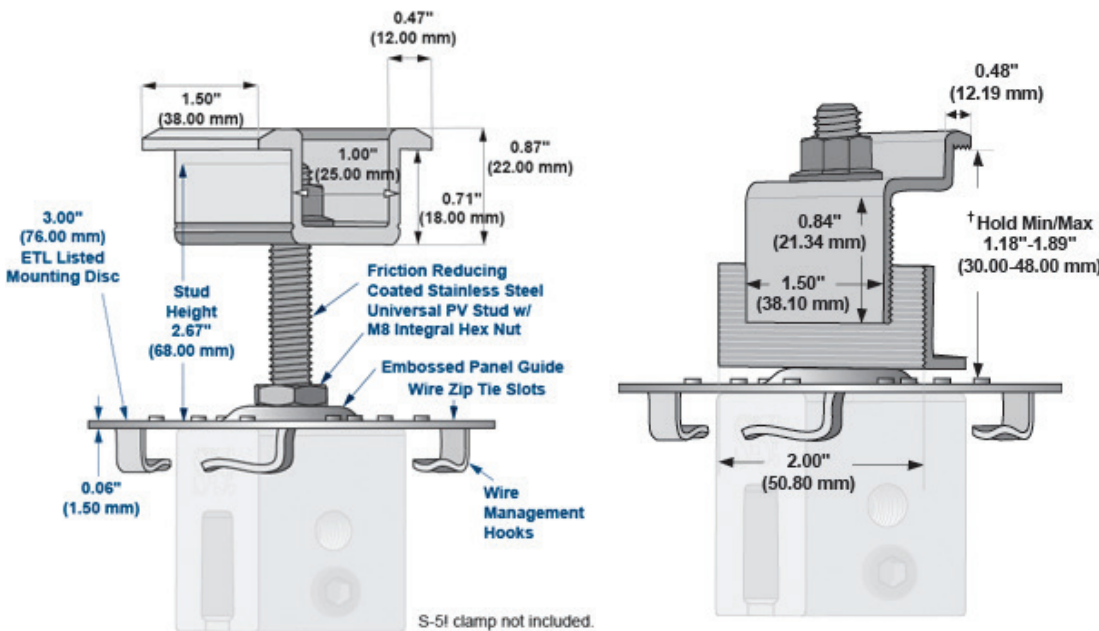
Furthermore, the S-5-PV Kit has gained an ETL Listing to UL 1703. UL and ETL listings are widely recognized by most Authorities Having Jurisdiction, which means fewer inspection hassles for installers.

Previously, electrical continuity between modules (called "bonding" within the industry) required the mounting of an electrical lug to each PV module, and interconnection of the lugs with a copper

wire. However, the S-5-PV Kit's groundbreaking NEW stainless steel mounting disk has twelve nodes designed to ensure the module-to-module conductivity of anodized aluminum module frames.

With the new S-5-PV Kit, the module is simply anchored with the kit and automatically provides a ground path in the module frame. No lugs or wire required except to connect one string of modules to another and to ground the system.

The EdgeGrab™ is specifically designed to be used in conjunction with the S-5-PV Kit for solar array end conditions. The EdgeGrab™ accommodates frame thicknesses of 30-48mm with the L-flange positioned below the studs hex nut and 34-51mm with the L-flange positioned above the hex nut. Note that the EdgeGrab™ is not UL listed.



PV Kit Brochure



Installation Instructions

S-5! SOLAR MOUNTING KITS

Part Number	Description	Box Qty	1-75 PCS	76-150 PCS	151-225 PCS	226-300 PCS	301 + PCS
SOLARKIT	UL PV Mounting Kit ¹	75	\$6.00	\$5.80	\$5.60	\$5.40	\$5.20
EDGEGRAB	PV Kit for Perimeters ²	75	\$5.00	\$4.80	\$4.65	\$4.50	\$4.30

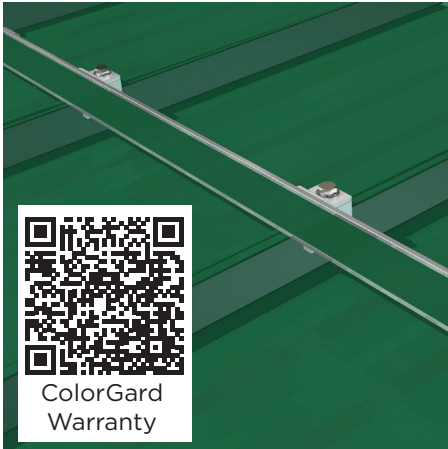
¹SOLARKIT do not include S-5! Mini Seam Clamp.

²EDGEGRAB kits do not include S-5! Mini Seam Clamp.

S-5![®]
The Right Way!

ColorGard[®] Snow Retention

For a perfect color match that lasts the lifetime of the roof!



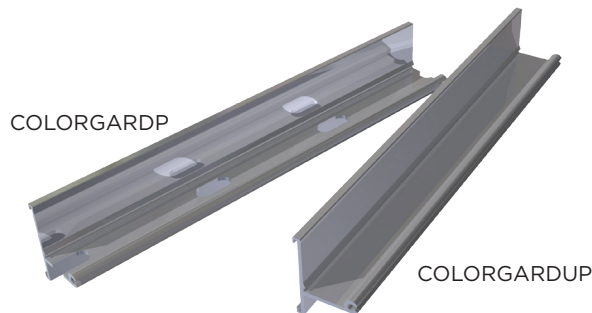
The sudden and unexpected release of snow from the roof can be dramatic, posing a serious threat to property and passers-by. ColorGard[®] dramatically reduces the risks associated with rooftop avalanches and maintains the clean colorful appearance of the roof with perfect color and finish matching, which lasts as long as the roof itself! ColorGard[®] is the only snow retention system designed and engineered on a site-specific basis; guaranteed to perform, to not damage the roof or finish, and to exactly match the roof color - for the entire lifetime of the roof!

Today's premium Kynar 500[®] and Hylar 5000[®] (PVDF) paint systems used on metal panels are "coil-coated" and oven-cured. This is the only finish application method that can be warranted against color fade for 30 years or longer. Nothing can equal it! So, why settle for less in a snow guard

system? While some dyes, powder-coats and air-dried color application methods may initially simulate a perfect match, the color soon begins to fade and becomes increasingly mismatched with a few years of age. By utilizing a strip of the actual roof material, ColorGard[®] perfectly matches the roof—forever!

ColorGard[®] is mechanically attached with patented S-5![®] clamps. S-5![®] is the trusted name in metal rooftop attachment technology worldwide. S-5! patented, round-point setscrews grip the seam securely without penetration and without damage to the panel's protective finishes. The clamps are precision-machined from aircraft quality, high tensile aluminum—not cast or plastic. All related hardware is non-ferrous stainless steel for lasting performance.

ColorGard[®] System Components



ColorGard[®] Punched & Unpunched

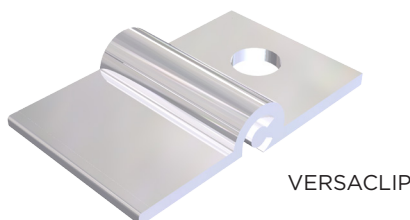
ColorGard[®] is manufactured from mill-finished aircraft quality aluminum in 8'0" sections, in either pre-punched or unpunched configurations. Each piece of ColorGard[®] comes with a splice for adjacent sections.

Prepunched ColorGard[®] (AMSI PN COLORGARDP) features slotted holes 4" on center for the entire length of the part. This allows ColorGard[®] to be mounted directly to S-5![®] seam clamps when roof panel seam widths are divisible by 4" (10.2cm).

Unpunched ColorGard[®] (AMSI PN COLORGARDUP) utilizes the VersaClip[™] adapter to mount the ColorGard[®] assembly to the clamps. This allows infinite adjustment, so the assembly can be used on any width roof panel, as well on angles. VersaClip[™] is sold separately.



Snow Brochure



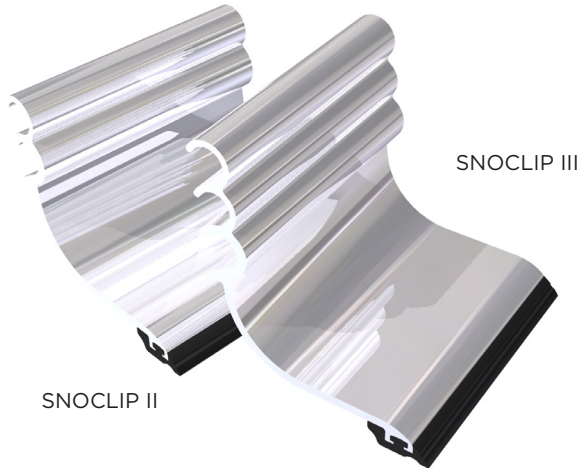
VERSACLIP

VersaClip[™]

VersaClip[™] makes installation easy as it simply slides onto the ColorGard[®] section. It can be used with all S-5![®] clamps (one per clamp) and is optional with CorruBracket[™]. While designed primarily for use with unpunched ColorGard[®], VersaClip[™] can also be used with prepunched ColorGard[®] in applications where the installation is askew, such as up valleys and at intersecting rooflines.

ColorGard® System Components

SnoClip™



SnoClip™ and are an aluminum add-on that helps retard the migration of snow and ice beneath either the ColorGard® crossmember, or the SnoRod™ of a SnoRail™ or SnoFence™ system. It has a special integrated rubber "foot" to prevent abrasion of the panel's finish. SnoClip slides onto the crossmember or rod and extends down to the flat of the roofing panel.

SnoClips are highly advised on seams of 2" (50 mm) and higher. They are recommended but not mandatory on seam heights of 1 3/4" and lower (45mm). They retard movement of snow and ice beneath the crossmember. SnoClip is not always an option as some metal roofing panels have minor ribs or striations that will not allow the SnoClip to function properly. SnoClips can be used on a striated panel but the results may vary. SnoClips come in two styles--SnoClip II™ and SnoClip III™. SnoClip II fits seam heights of 1 3/4" (45mm) and lower. SnoClip III fits seam heights of 1 3/4" to 3" vertical seam. When multiple rows of assembly are being used, SnoClips are always placed on the bottom row. Their use on other rows is optional and left to user discretion. Typically only one SnoClip per panel is required but may be used more frequently if desired (two SnoClips are needed on panels that have a seam height of 2 3/4" or taller)

S-5! COLORGARD - PUNCHED & UNPUNCHED

Part Number	Description	Box Qty	1-48 PCS	49-204 PCS	205-504 PCS	505-1008 PCS
COLORGARDUP	Un-Punched ¹	12	\$13.10	\$12.65	\$12.15	\$11.70
COLORGARDP	Pre-Punched ²	12	\$17.65	\$16.95	\$16.30	\$16.20

¹Unpunched ColorGard requires one (1) Versaclip at each S-5! seam clamp.

²Pre-punched ColorGard features slotted bolt holes 4" on center and is used where roof panel seams are widths divisible by 4", ie: 12", 16", 20" etc.

S-5! VERSACLIP

Part Number	Description	Box Qty	1-50 PCS	51-150 PCS	151-500 PCS	501-1000 PCS	1001-2500 pieces
VERSACLIP	Colorgard Adapter*	100	\$2.15	\$2.05	\$1.95	\$1.90	\$1.80

*VersaClip is required when using ColorGardUP (Un-Punched), one (1) per clamp

S-5! SNOCLIP II & SNOCLIP III

Part Number	Description	Box Qty	1-50 PCS	51-150 PCS	151-500 PCS	501-1000 PCS	1001-2500 PCS
SNOCLIPII	Colorgard SnoClip*	55	\$1.60	\$1.55	\$1.50	\$1.45	\$1.40
SNOCLIPIII	Colorgard SnoClip*	35	\$1.90	\$1.85	\$1.80	\$1.70	\$1.65

*SnoClips are suggested on all S-5! ColorGard systems fitted to a roof panel with a seam height of 2" or greater. It is optional, but highly recommended with all ColorGard systems.



ColorGard Brochure



Installation Instructions



Components Sheet

EXPAND YOUR PANEL LINE & GET MORE PRODUCTIVITY FROM YOUR PAN-FORMERS

Most Pan-forming machines are capable of rolling a batten or "U" panel with simple adjustments, but most pan-formers can't form a batten cap! Not only can we manufacture batten caps for you at an affordable price, but we can also curve to order!



WE CAN CURVE BATTEN CAPS & PANELS!

LET AMSI DO IT FOR YOU!

AMSI'S METAL WHAT YOU GET:

You get our high quality battens made to order in your choice of any of our standard* SHEFFIELD® colors, our quality 100-SNBR-26-G Galvanized batten clips 2'0" o.c. And two ASO-1 or ASO-4 galvanized screws per clip!

**Please Call for
Current Price!**

We can also manufacture battens in 0.32" aluminum, 16oz copper, 24ga paint grip. Call for more information!

Sealant in Seam available. Call for a quote.

WE CURVE BATTEN CAPS...CALL FOR A QUOTE!

YOUR METAL WHAT YOU GET:

Ship your 2-9/16" coil stock to us and get your batten caps made to order and our quality 100-SNBR-26-G Galvanized batten clips 2'0" o.c. and two ASO-1 or ASO-4 galvanized screws per clip!

\$0.55_{LF}

Price higher if you supply us with flat stock. Please call



Combo Drive

PANHEAD WOOD SCREWS

Widely copied, AMSI panhead wood screws are the ultimate in economical performance. The T-17 saw point easily cuts through sheet metal up to 20ga with no pre-drilling. The asymmetrical thread design dramatically increases pull out values over traditionally threaded fasteners. AMSI Panhead screws are offered with either combo drive or square drive.

Head thickness is 0.084"/+/-.

- Combo drive most sizes
- Fully threaded up to 2"
- Meets or exceeds ASTM C-1513 and/or ASTM C-954

Available in:

- Std. galvanized (white zinc)
- Yellow Zinc Di-Chromate (1" only)
- Plus-Coat II (1" only)
- 410 Stainless Steel

PANHEAD WOOD SCREWS

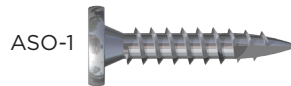
Part Number	Description	Thread	Length	Coating	Drive	Box Qty	Price 1000
ASO-.75	Panhead Wood Screw	10-12	0.75"	White Zinc ¹	Combo	6,500	\$15.64
ASO-1	Panhead Wood Screw	10-12	1.0"	White Zinc ¹	Combo	6,000	\$22.00
ASO-1-Q	Panhead Wood Screw	10-12	1.0"	White Zinc ¹	Square	6,000	\$20.50
ASO-1-YZ	Panhead Wood Screw	10-12	1.0"	Yellow Zinc ²	Combo	6,000	\$27.20
SSF-101-AP	Panhead Wood Screw	10-12	1.0"	Stainless ⁴	Combo	6,000	\$83.80
ASO-1.5	Panhead Wood Screw	10-12	1.5"	White Zinc ¹	Combo	4,000	\$30.25
SSF-150-AP	Panhead Wood Screw	10-12	1.5"	Stainless ⁴	Combo	4,000	\$88.80
ASO-1.75	Panhead Wood Screw	10-12	1.75"	White Zinc ¹	Combo	3,500	\$32.80
ASO-2	Panhead Wood Screw	10-12	2.0"	White Zinc ¹	Combo	3,000	\$35.36
SSF-200-AP	Panhead Wood Screw	10-12	2.0"	Stainless ⁴	Combo	3,000	\$93.80

¹White Zinc is galvanized electroplating.

²Yellow Zinc is Zinc Di-Chromate electroplating. Increases corrosion resistance by as much as 8 times over the corrosion resistance of standard white zinc.

³Plus-Coat II is a proprietary coating that is extremely resistant to the corrosion caused by ACQ pressure treated woods and has also passed the 1000 hour salt spray test, as well as the Kesternich test (DIN 50018; ASTM G-87) for 20 cycles. This coating is blue.

⁴410 Stainless Steel fastener. Note that **all stainless steel is magnetic**, including 410.



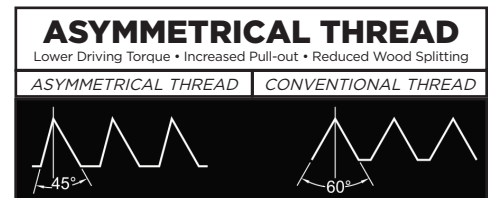
ASO-1



ASO-1-YZ



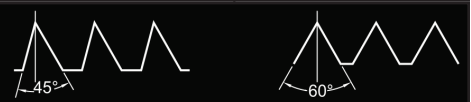
SSF-101-AP



ASYMMETRICAL THREAD

Lower Driving Torque • Increased Pull-out • Reduced Wood Splitting

ASYMMETRICAL THREAD | CONVENTIONAL THREAD



AMSI#10 SCREWS ULTIMATE VALUE CHART

AMSI #10 Screws in Sheet Metal				AMSI #10 Screws in Wood Products		
Diameter	Metal Gauge	Pull-out (lbs)	Shear (lbs)	Diameter	Wood Product	Pull-out (lbs)
10	25	173	363	10	2 x 4 Fir	547
10	20	397	834	10	3/4" Plywood	649

ULTIMATE VALUE CHARTS:

Steel: Screws are driven into steel were driven with three (3) exposed threads on the off-side of the connection, then pulled out with the testing machine.

Wood: Screws were driven 3/4" into the wood material then pulled out with the testing machine.

Note that all results were obtained in strict adherence to ASTM test protocols. These ultimate figures are offered only as a guide and are not guaranteed in any way by AMSI (Architectural Metal Specialties Inc.). A 4:1 safety ratio is recommended.

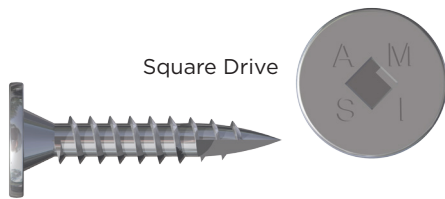
INSTALLATION GUIDELINES:

0-2500rpm screwgun with torque adjustment is recommended. Over-driving may result in fastener failure or strip-out of the work surface.

The fastener is fully seated when the screw head's bearing surface is flush with the surface.

Always wear eye protection when driving screws. Screws and driver bits may fracture or shatter. Serious injury and/or blindness can occur.

ALL AMSI FASTENERS ARE MANUFACTURED IN AN ISO 9002 & ISO 14001 CERTIFIED AND APPROVED FACTORY
ALL AMSI FASTENERS ARE MANUFACTURED TO AMSI APPROVED PERFORMANCE SPECIFICATIONS & PRINT DRAWINGS



Square Drive

WAFER-HEAD WOOD SCREWS

AMSI waferhead wood screws are identical in thread and cutting point design to our panhead wood screws but featuring a much thinner head thickness of about 0.060"+/-.

- 30% thinner head for lower profiles
- #2 square drive (Robertson)
- Fully threaded up to 2"
- Meets or exceeds ASTM C-1513 and/or ASTM C-954

Available in:

- Std. galvanized (white zinc)
- Yellow Zinc Di-Chromate (1" only)
- Plus-Coat II (1" only)

WAFERHEAD WOOD SCREWS

Part Number	Description	Thread	Length	Coating	Drive	Box Qty	Price 1000
ASO-1-U	Waferhead Wood Screw	10-12	1.0"	White Zinc ¹	Square	6,000	\$24.20
ASO-1-UYZ	Waferhead Wood Screw	10-12	1.0"	Yellow Zinc ²	Square	6,000	\$27.20
ASO-1.5-U	Waferhead Wood Screw	10-12	1.5"	White Zinc ¹	Square	4,000	\$27.30
ASO-1.75-U	Waferhead Wood Screw	10-12	1.75"	White Zinc ¹	Square	3,500	\$30.82
ASO-2-U	Waferhead Wood Screw	10-12	2.0"	White Zinc ¹	Square	3,000	\$34.08

¹White Zinc is galvanized electroplating.

²Yellow Zinc is Zinc Di-Chromate electroplating. Increases corrosion resistance by as much as 8 times over the corrosion resistance of standard white zinc.

³Plus-Coat II is a proprietary coating that is extremely resistant to the corrosion caused by ACQ pressure treated woods and has also passed the 1000 hour salt spray test, as well as the Kesternich test (DIN 50018; ASTM G-87) for 20 cycles. This coating is blue.



ASO-1-U



ASO-1-UYZ

MINI ZIP SCREWS

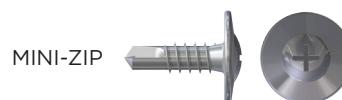
Mini Zip screws feature a modified "truss" head similar to a traditional pancake head. They are used to stitch sheet metal trusses, flashings and gutters together; use them anywhere two sheets or more need to be stitched together.

Available in both sharps and self-drilling points. White zinc coating.

MINI-ZIP SCREWS

Part Number	Description	Thread	Length	Coating	Drive	Box Qty	Price 1000
MINI-ZIP	Mini-Zip Screw Self-drill	8-15	0.5"	White Zinc ¹	Philips	10k	\$15.00
MINI-ZIP-SP	Mini-Zip Screw Sharp	8-15	0.5"	White Zinc ¹	Philips	10k	\$15.00

¹White Zinc is galvanized electroplating.



MINI-ZIP



MINI-ZIP-SP

SELF-DRILLING PANHEAD SCREWS

Part Number	Description	Thread	Length	Coating	Drive	Box Qty	Price 1000
ASO-3	Panhead SD Screw	10-14	5/8"	White Zinc ¹	Phillips	7,500	\$18.28
ASO-4	Panhead SD Screw	12-12	3/4"	White Zinc ¹	Combo	5,000	\$37.05
SSF-101-SD	Panhead SD Screw	10-12	1.0"	Stainless ²	Combo	6,000	\$86.00

¹ White Zinc is galvanized electroplating.

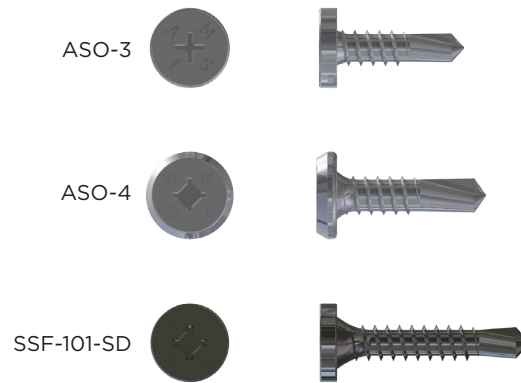
² 410 Stainless Steel fastener, NO COATING.

Note that **all stainless steel is magnetic**, including 410.

SELF-DRILLING SCREWS

AMSI self-drilling screws are an excellent choice for all metal-to-metal fastening requirements. All AMSI self-drilling screws feature panhead design, with either phillips or combo drive. Head thickness is 0.084"+/-.

- ASO-3 is #2 Phillips drive
- ASO-4 is combo drive
- SSF-101-SD is combo drive
- Meets or exceeds ASTM C-1513 and/or ASTM C-954
- Galvanized or 410 stainless steel



AMSI#12 SCREWS ULTIMATE VALUE CHART

AMSI #12 Screws in Sheet Metal

Diameter	Nom. Screw Diameter (inches)	Metal Gauge /1lb	Tension (Pull) lbs 1pc	Shear (lbs) Metal to Metal	Minimum Torsional Strength (lbs)
12	0.216	20	314	698	92
		18	472	983	
		16	735	1556	
		14	1057	2072	
		12	1242	2210	
		0.156"	2685		
		0.187"	3394		

ULTIMATE VALUE CHARTS:

Steel: Screws are driven into steel were driven with three (3) exposed threads on the off-side of the connection, then pulled out with the testing machine.

Wood: Screws were driven 3/4" into the wood material then pulled out with the testing machine.

Note that all results were obtained in strict adherence to ASTM test protocols. These ultimate figures are offered only as a guide and are not guaranteed in any way by AMSI (Architectural Metal Specialties Inc.). A 4:1 safety ration is recommended.

INSTALLATION GUIDELINES:

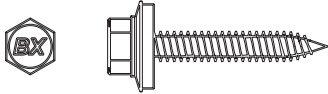
0-2500rpm screwgun with torque adjustment is recommended. Over-driving may result in fastener failure or strip-out of the work surface.

The fastener is fully seated when the screw head's bearing surface is flush with the surface.

Always wear eye protection when driving screws. Screws and driver bits may fracture or shatter. Serious injury and/or blindness can occur.

ALL AMSI FASTENERS ARE MANUFACTURED IN AN ISO 9002 & ISO 14001 CERTIFIED AND APPROVED FACTORY
ALL AMSI FASTENERS ARE MANUFACTURED TO AMSI APPROVED PERFORMANCE SPECIFICATIONS & PRINT DRAWINGS

TRUGRIP™ 1" METAL-WOOD PRE-PAINTED SCREWS



Our pre-painted 1" Tru-Grip™ fasteners are great for use with "R" and "AG" panel applications, or wherever an exposed fastener is called for to attach metal to wood. The bonded neoprene washer helps ensure a perfect seal every time.

Special order colors are available. Please call for lead time and pricing.

*If you are installing over shingles, we recommend the 1-1/2" screw.

APPLICATIONS:

- Roof & wall panel to wood structure
- Panel over insulation to wood structure
- Stitch root and wall panel

FEATURES:

- Non-walking sharp gimlet point for fast material engagement
- Double lead thread for fast panel pickup
- Dual sealing bonded washer prevents leaks
- Vulcanized bonding of washer eliminates separation of EPDM from the metal backing
- High hat HWH for driving stability
- Climaseal finish provides excellent corrosion resistance and lower tapping torque

Trugrip
Data Sheet



Properly Seated Washers



1" TRUGRIP PAINTED METAL-WOOD SCREWS

Part Number	Description	Color	Price per 1000
TRG-HWH-1-RW	9-15x1" HWH w/Bonded EPDM Washer	Regal White	\$39.00
TRG-HWH-1-PW	9-15x1" HWH w/Bonded EPDM Washer	Polar White	\$39.00
TRG-HWH-1-LS	9-15x1" HWH w/Bonded EPDM Washer	Light Stone	\$39.00
TRG-HWH-1-ST	9-15x1" HWH w/Bonded EPDM Washer	Sahara Tan	\$39.00
TRG-HWH-1-DS	9-15x1" HWH w/Bonded EPDM Washer	Desert Sand	\$39.00
TRG-HWH-1-BU	9-15x1" HWH w/Bonded EPDM Washer	Burgundy	\$39.00
TRG-HWH-1-BK	9-15x1" HWH w/Bonded EPDM Washer	Black	\$39.00
TRG-HWH-1-TB	9-15x1" HWH w/Bonded EPDM Washer	Tudor Brown	\$39.00
TRG-HWH-1-AB	9-15x1" HWH w/Bonded EPDM Washer	Antique Bronze	\$39.00
TRG-HWH-1-BS	9-15x1" HWH w/Bonded EPDM Washer	Burnished Slate	\$39.00
TRG-HWH-1-CR	9-15x1" HWH w/Bonded EPDM Washer	Country Red	\$39.00
TRG-HWH-1-BR	9-15x1" HWH w/Bonded EPDM Washer	Bright Red	\$39.00
TRG-HWH-1-GR	9-15x1" HWH w/Bonded EPDM Washer	Forest Green	\$39.00
TRG-HWH-1-FG	9-15x1" HWH w/Bonded EPDM Washer	Fern Green	\$39.00
TRG-HWH-1-IG	9-15x1" HWH w/Bonded EPDM Washer	Ivy Green	\$39.00
TRG-HWH-1-CH	9-15x1" HWH w/Bonded EPDM Washer	Charcoal Gray	\$39.00
TRG-HWH-1-AG	9-15x1" HWH w/Bonded EPDM Washer	Ash Gray	\$39.00
TRG-HWH-1-OG	9-15x1" HWH w/Bonded EPDM Washer	Old Town Gray	\$39.00
TRG-HWH-1-RB	9-15x1" HWH w/Bonded EPDM Washer	Regal Blue	\$39.00
TRG-HWH-1-HB	9-15x1" HWH w/Bonded EPDM Washer	Hawaiian Blue	\$39.00

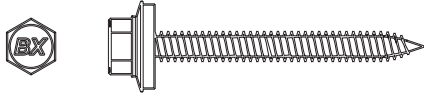
1" TRUGRIP PAINTED METAL-WOOD SCREWS

Part Number	Description	Color	Price per 1000
TRG-HWH-1	9-15x1" HWH w/Bonded EPDM Washer	Un-Painted	\$29.25
TRG-HWH-1.5	9-15x1 1/2" HWH w/Bonded EPDM Washer	Un-Painted	\$36.50
TRG-HWH-2	9-15x2" HWH w/Bonded EPDM Washer	Un-Painted	\$44.35
TRG-HWH-2.5	9-15x2 1/2" HWH w/Bonded EPDM Washer	Un-Painted	\$68.65
TRG-HWH-3	9-15x3" HWH w/Bonded EPDM Washer	Un-Painted	\$81.60

PULL-OUT VALES IN WOOD (1" & 1 1/2" TRUGRIP (Average lbs. Ultimate)

Fastener Diameter	Embedment in 2" x 4" (SYP)				
	1/2"	3/4"	1"	1 1/4"	1 1/2"
9	198	328	571	728	872

TRUGRIP™ 1 1/2" METAL- WOOD PRE- PAINTED SCREWS



Our pre-painted 1-1/2" Tru-Grip™ fasteners are great for use with "R" and "AG" panel applications, or wherever an exposed fastener is called for to attach metal to wood. The bonded neoprene washer helps ensure a perfect seal every time.

Special order colors are available. Please call for lead time and pricing.

APPLICATIONS:

- Roof & wall panel to wood structure
- Panel over insulation to wood structure
- Stitch root and wall panel

FEATURES:

- Non-walking sharp gimlet point for fast material engagement
- Double lead thread for fast panel pickup
- Dual sealing bonded washer prevents leaks
- Vulcanized bonding of washer eliminates separation of EPDM from the metal backing
- High hat HWH for driving stability
- Climaseal finish provides excellent corrosion resistance and lower tapping torque

1 1/2" TRUGRIP PAINTED METAL-WOOD SCREWS

Part Number	Description	Color	Price per 1000
TRG-HWH-1.5-RW	9-15x1 1/2" HWH w/Bonded Washer	Regal White	\$46.50
TRG-HWH-1.5-PW	9-15x1 1/2" HWH w/Bonded Washer	Polar White	\$46.50
TRG-HWH-1.5-LS	9-15x1 1/2" HWH w/Bonded Washer	Light Stone	\$46.50
TRG-HWH-1.5-ST	9-15x1 1/2" HWH w/Bonded Washer	Sahara Tan	\$46.50
TRG-HWH-1.5-DS	9-15x1 1/2" HWH w/Bonded Washer	Desert Sand	\$46.50
TRG-HWH-1.5-BU	9-15x1 1/2" HWH w/Bonded Washer	Burgundy	\$46.50
TRG-HWH-1.5-BK	9-15x1 1/2" HWH w/Bonded Washer	Black	\$46.50
TRG-HWH-1.5-TB	9-15x1 1/2" HWH w/Bonded Washer	Tudor Brown	\$46.50
TRG-HWH-1.5-AB	9-15x1 1/2" HWH w/Bonded Washer	Antique Bronze	\$46.50
TRG-HWH-1.5-BS	9-15x1 1/2" HWH w/Bonded Washer	Burnished Slate	\$46.50
TRG-HWH-1.5-CR	9-15x1 1/2" HWH w/Bonded Washer	Country Red	\$46.50
TRG-HWH-1.5-BR	9-15x1 1/2" HWH w/Bonded Washer	Bright Red	\$46.50
TRG-HWH-1.5-GR	9-15x1 1/2" HWH w/Bonded Washer	Forest Green	\$46.50
TRG-HWH-1.5-FG	9-15x1 1/2" HWH w/Bonded Washer	Fern Green	\$46.50
TRG-HWH-1.5-IG	9-15x1 1/2" HWH w/Bonded Washer	Ivy Green	\$46.50
TRG-HWH-1.5-CH	9-15x1 1/2" HWH w/Bonded Washer	Charcoal Gray	\$46.50
TRG-HWH-1.5-AG	9-15x1 1/2" HWH w/Bonded Washer	Ash Gray	\$46.50
TRG-HWH-1.5-OG	9-15x1 1/2" HWH w/Bonded Washer	Old Town Gray	\$46.50
TRG-HWH-1.5-RB	9-15x1 1/2" HWH w/Bonded Washer	Regal Blue	\$46.50
TRG-HWH-1.5-HB	9-15x1 1/2" HWH w/Bonded Washer	Hawaiian Blue	\$46.50

1 1/2" TRUGRIP UN-PAINTED METAL-WOOD SCREWS

Part Number	Description	Color	Price per 1000
TRG-HWH-1.5	9-15x1 1/2" HWH w/Bonded Washer	Unpainted	\$36.50

INSTALLATION GUIDELINES:

- A Standard screwgun with a depth sensitive nosepiece should be used to install TruGrip. For optional fastener performance, the screwgun should be a minimum of 6 amps and have an RPM range of 0-2500.
- Adjust the screwgun nosepiece to properly seat the fastener.
- New magnetic sockets must be correctly set before use. Remove chip build-up as needed.
- Overdriving may result in torsional failure of the fastener or stripout of the substrate.
- The fastener must penetrate beyond the metal structure a minimum of 3 pitches of thread.

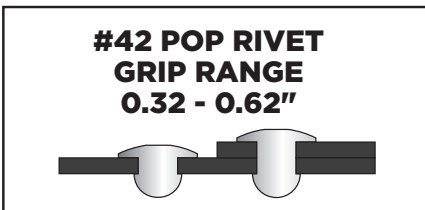
Properly Seated Washers



#42 STAINLESS STEEL POP RIVETS

Our #42 stainless steel pop rivets feature stainless steel mandrels and are available both unpainted and in 26 standard colors, ready to ship.

Special order colors are available. Please call for lead time and pricing.



#42 POP RIVET

Ø Rivet Dia. Nom. Inch	L Rivet Length Max. Inch	E Head Height Nom. Inch	H Head Dia. Nom. Inch
.125"	.212"	.040"	.250"

Drill No. & Hole Size: #30 (0.129" - 0.133")

#42 COPPER POP RIVETS

We stock #42 copper pop rivets in both copper plated steel mandrels and brass mandrels.

#42 UNPAINTED STAINLESS STEEL POP RIVETS

Part Number	Description	Color	Price per 1000
R-42-SS	#42 Stainless Pop Rivet	UNPAINTED	\$25.50

#42 PRE-PAINTED STAINLESS STEEL POP RIVETS

Part Number	Description	Color	Price per 1000
R-42-SS-MBK	#42 Stainless Pop Rivet	Matte Black	\$44.20
R-42-SS-SW	#42 Stainless Pop Rivet	Stone White	\$44.20
R-42-SS-SS	#42 Stainless Pop Rivet	Sandstone	\$44.20
R-42-SS-SB	#42 Stainless Pop Rivet	Slate Blue	\$44.20
R-42-SS-CR	#42 Stainless Pop Rivet	Colonial Red	\$44.20
R-42-SS-DB	#42 Stainless Pop Rivet	Dark Bronze	\$44.20
R-42-SS-EG	#42 Stainless Pop Rivet	Evergreen	\$44.20
R-42-SS-MBZ	#42 Stainless Pop Rivet	Medium Bronze	\$44.20
R-42-SS-AG	#42 Stainless Pop Rivet	Ash Gray	\$44.20
R-42-SS-PG	#42 Stainless Pop Rivet	Patina Green	\$44.20
R-42-SS-RW	#42 Stainless Pop Rivet	Regal White	\$44.20
R-42-SS-SG	#42 Stainless Pop Rivet	Slate Gray	\$44.20
R-42-SS-MBN	#42 Stainless Pop Rivet	Mansard Brown	\$44.20
R-42-SS-AC	#42 Stainless Pop Rivet	Aged Copper	\$44.20
R-42-SS-TC	#42 Stainless Pop Rivet	Terra Cotta	\$44.20
R-42-SS-ST	#42 Stainless Pop Rivet	Sierra Tan	\$44.20
R-42-SS-CG	#42 Stainless Pop Rivet	Charcoal Gray	\$44.20
R-42-SS-RB	#42 Stainless Pop Rivet	Regal Blue	\$44.20
R-42-SS-TL	#42 Stainless Pop Rivet	Teal	\$44.20
R-42-SS-RR	#42 Stainless Pop Rivet	Regal Red	\$44.20
R-42-SS-HG	#42 Stainless Pop Rivet	Hartford Green	\$44.20
R-42-SS-BU	#42 Stainless Pop Rivet	Burgundy	\$44.20
R-42-SS-HE	#42 Stainless Pop Rivet	Hemlock Green	\$44.20
R-42-SS-SM	#42 Stainless Pop Rivet	Silver Metallic	\$44.20
R-42-SS-CH	#42 Stainless Pop Rivet	Champagne	\$44.20
R-42-SS-CP	#42 Stainless Pop Rivet	Copper Penny	\$44.20

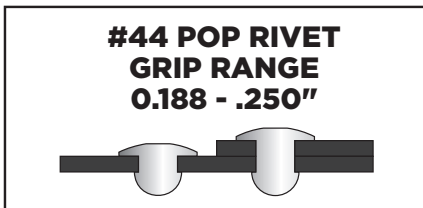
#42 COPPER POP RIVETS

Part Number	Description	Mandrel	Price per 1000
R-42-CU	#42 Copper Pop Rivet	STEEL	\$31.15
R-42-CU-BR	#42 Copper Pop Rivet	BRASS	\$61.70

#44 STAINLESS STEEL POP RIVETS

Our #44 stainless steel pop rivets feature stainless steel mandrels and are available both unpainted and in 26 standard colors, ready to ship.

Special order colors are available. Please call for lead time and pricing.



#44 POP RIVET

Ø Rivet Dia. Nom. Inch	L Rivet Length Max. Inch	E Head Height Nom. Inch	H Head Dia. Nom. Inch
.125"	.400"	.040"	.250"

Drill No. & Hole Size: #30 (0.129" - 0.133")

#44 COPPER POP RIVETS

We stock #44 copper pop rivets in both copper plated steel mandrels and brass mandrels.

#44 UNPAINTED STAINLESS STEEL POP RIVETS

Part Number	Description	Color	Price per 1000
R-44-SS	#44 Stainless Pop Rivet	UNPAINTED	\$28.00

#44 PRE-PAINTED STAINLESS STEEL POP RIVETS

Part Number	Description	Color	Price per 1000
R-44-SS-MBK	#44 Stainless Pop Rivet	Matte Black	\$47.50
R-44-SS-SW	#44 Stainless Pop Rivet	Stone White	\$47.50
R-44-SS-SS	#44 Stainless Pop Rivet	Sandstone	\$47.50
R-44-SS-SB	#44 Stainless Pop Rivet	Slate Blue	\$47.50
R-44-SS-CR	#44 Stainless Pop Rivet	Colonial Red	\$47.50
R-44-SS-DB	#44 Stainless Pop Rivet	Dark Bronze	\$47.50
R-44-SS-EG	#44 Stainless Pop Rivet	Evergreen	\$47.50
R-44-SS-MBZ	#44 Stainless Pop Rivet	Medium Bronze	\$47.50
R-44-SS-AG	#44 Stainless Pop Rivet	Ash Gray	\$47.50
R-44-SS-PG	#44 Stainless Pop Rivet	Patina Green	\$47.50
R-44-SS-RW	#44 Stainless Pop Rivet	Regal White	\$47.50
R-44-SS-SG	#44 Stainless Pop Rivet	Slate Gray	\$47.50
R-44-SS-MBN	#44 Stainless Pop Rivet	Mansard Brown	\$47.50
R-44-SS-AC	#44 Stainless Pop Rivet	Aged Copper	\$47.50
R-44-SS-TC	#44 Stainless Pop Rivet	Terra Cotta	\$47.50
R-44-SS-ST	#44 Stainless Pop Rivet	Sierra Tan	\$47.50
R-44-SS-CG	#44 Stainless Pop Rivet	Charcoal Gray	\$47.50
R-44-SS-RB	#44 Stainless Pop Rivet	Regal Blue	\$47.50
R-44-SS-TL	#44 Stainless Pop Rivet	Teal	\$47.50
R-44-SS-RR	#44 Stainless Pop Rivet	Regal Red	\$47.50
R-44-SS-HG	#44 Stainless Pop Rivet	Hartford Green	\$47.50
R-44-SS-BU	#44 Stainless Pop Rivet	Burgundy	\$47.50
R-44-SS-HE	#44 Stainless Pop Rivet	Hemlock Green	\$47.50
R-44-SS-SM	#44 Stainless Pop Rivet	Silver Metallic	\$47.50
R-44-SS-CH	#44 Stainless Pop Rivet	Champagne	\$47.50
R-44-SS-CP	#44 Stainless Pop Rivet	Copper Penny	\$47.50

#44 COPPER POP RIVETS

Part Number	Description	Mandrel	Price per 1000
R-44-CU	#44 Copper Pop Rivet	STEEL	\$33.25
R-44-CU-BR	#44 Copper Pop Rivet	BRASS	\$65.70

DOUBLE-END DRILL BITS

Our #30 Double-End High Speed drill bits are constructed of M-2 high speed steel for the best combination of strength, heat resistance, and wear resistance.

The 135° split point ensures a true start and eliminates bit walking.

The #30 wire size bit is recommended by all pop-rivet manufacturers for 1/8" pop-rivets.

Black Oxide coated for corrosion resistance.

12 per pack

#30 DOUBLE-END DRILL BITS

Part Number	Description	Price Each
DRL-61630	12-Pack #30 IRWIN Double-End Drill Bits, Black Oxide	\$11.88



HP-2 RIVET TOOL

Our HP-2 Rivet tool is acclaimed for its durability, quality, performance and long life. The HP-2 sets steel rivets up to 3/16" and comes with 4 nose-pieces (including 1/8") securely mounted to the handle. The HP-2's quality features include precision die-cast, high strength aluminum alloy body; drop forged carbon steel steel upper handle and thick cushion molded vinyl grips for added comfort during those long work days!

KLIK FAST POP RIVET TOOL

Part Number	Description	Price Each
HP-2	Klik-Fwast Rivet Tool. For all std. pop rivets from 1/8" — 3/16"	\$26.00





MIDWEST SNIPS

Midwest aviation and tinner snips are manufactured in the USA by Midwest Tool & Cutlery Co.

All components of Midwest Snips are manufactured in the USA.

The blades are hot drop-forged in their factory in northern Michigan; the finished product is shipped from their plant & headquarters in southwest Michigan.

AVIATION SNIPS

Traditional Midwest aviation (pattern snips) are versatile and cut a multitude of sheet materials up to 18ga Cold Rolled Steel (CRSM) and 22ga Stainless Steel (SSSM).

OFFSET SNIPS

Midwest offset snips flow material away from blades making longer cuts easier and can cut tighter curves. Midwest Offset Snips can cut up to 18ga CRSM and 22ga SSSM.

UPRIGHT SNIPS

Right angle blades make cutting complete circles easier in tight spaces, using either a push or pull motion. Cuts 24ga CRSM or 28ga SSSM.

MIDWEST AVIATION SNIPS

Part Number	Description	Cut	Cut Length	Capacity	Price Each
P6716-L			1-3/8" (38.1mm)	18ga C.R.S. 22ga S.S.	\$12.10
P6716R			1-3/8" (38.1mm)	18ga C.R.S. 22ga S.S.	\$12.10
P6716-S			1-1/2" (38.1mm)	18ga C.R.S. 22ga S.S.	\$12.10
P6716-A			3" (38.1mm)	18ga C.R.S. 22ga S.S.	\$14.30

MIDWEST OFFSET AVIATION SNIPS

Part Number	Description	Cut	Cut Length	Capacity	Price Each
P6510-L			1-1/4" (38.1mm)	18ga C.R.S. 22ga S.S.	\$15.50
P6510-R			1-1/4" (38.1mm)	18ga C.R.S. 22ga S.S.	\$15.50
P6510-S			1-1/4" (38.1mm)	18ga C.R.S. 22ga S.S.	\$15.50

MIDWEST UPRIGHT OFFSET SNIPS

Part Number	Description	Cut	Cut Length	Capacity	Price Each
P6900-L			1-1/4" (38.1mm)	24ga C.R.S. 28ga S.S.	\$17.40
P6900-R			1-1/4" (38.1mm)	24ga C.R.S. 28ga S.S.	\$17.40

No Bend Handles
Heavy gauge steel handles maximize force into cutting power at blades

Heavy Duty Sprint
Unbreakable double overwind spring is guaranteed forever

Strongest Hot drop forged molybdenum alloy steel blades are virtually unbreakable and provide long lasting edge life

Longest Lasting Blades are austempered heat treated producing a hardened cutting edge that outlasts all others

Comfortable Grips
Soft & Durable co-polymer grips won't twist or wear through

Easy to Grip / Close
Ergonomically optimum 5.5" handle opening

Stays Adjusted Grade-8 hardened center pivot bolt threaded into back blade maintains adjustment for optimum cutting

Easiest to Use
Full length point cuts up to 18ga CRSM or 22ga SSSM with less than 80lbs of hand pressure

No Clip or Scar 40 blade serrations per inch grip without slip or scar



SPECIAL HARDNESS

Midwest Special Hardness Aviation Snips feature blades heat treated to 59-61Rc and are used to cut extremely hard metals such as stainless steel, inconel, titanium etc.

Cutting capacity of 22ga stainless steel.

POWER CUTTER





The Midwest P6516 Power Cutter was designed to make cutting corrugated, raised rib metal roofing and siding easier.

The longer blades and larger blade opening accommodates transition from flat to raised areas of the sheets, while the offset design helps keep hands safely above the material.





2-7/8" Long Cut.

Cutting capacity of 20ga CRSM and 22gaSSSM.



MIDWEST SPECIAL HARDNESS OFFSET SNIPS


Part Number	Description	Cut	Cut Length	Capacity	Price per 1000
SSP6510-L			1-1/4" (38.1mm)	18ga C.R.S. 22ga S.S.	\$22.00
SSP6510-R			1-1/4" (38.1mm)	18ga C.R.S. 22ga S.S.	\$22.00

MIDWEST SPECIAL HARDNESS AVIATION SNIPS

Part Number	Description	Cut	Cut Length	Capacity	Price per 1000
SSP6716-L			1-3/8" (38.1mm)	18ga C.R.S. 22ga S.S.	\$17.00
SSP6716-R			1-3/8" (38.1mm)	18ga C.R.S. 22ga S.S.	\$17.00

MIDWEST LONG OFFSET POWER CUTTER SNIPS

Part Number	Description	Cut	Cut Length	Capacity	Price per 1000
P6516			2-7/8" (73mm)	20ga C.R.S. 24ga S.S.	\$17.00



Comfortable Grips
Soft & Durable copolymer grips won't twist or wear through


Hot Drop Forged Blades
Forged blades are the strongest and longest lasting. Forged blades cut all the way to the blade tip

Faster
Wider opening and longer blades easily cut corrugated metal roofing and siding

Easier
Offset blades help flow material for ease of cutting

Safer
Hands stay safe above the material thanks to the offset blade design

P6516 POWER CUTTER





TINNER SNIPS

Midwest Snips® Tinner Snips exceed 30,000 cycle test cuts without failure and without requiring blade adjustment. No other manufacturer's tinner snip reaches this standard.

Features and Benefits

Strongest, longest lasting blades are hot-drop forged and heat treated for strength, durability and sharpness. The 7-in., 10-in. and 12-in. models - both straight and duckbill blade pattern - are forged of high carbon steel to produce a tough, long-lasting cutting edge. The 14-inch Combination Pattern Models and the 16-inch Bulldog Pattern Models are forged of molybdenum alloy steel resulting in an even tougher, stronger cutting edge that will cut through thicker materials and multiple layers of material.

Kush'n-Kote® comfort grips provide a no-slip grip and comfort the user's hand.

Blades stay in adjustment longer because a case hardened slab bolt is fitted through the bottom blade and secured with a special locknut. This feature keeps blades in adjustment for over 30,000 cycle test cuts.

MIDWEST STRAIGHT BLADE TINNER SNIPS

Part Number	Description	Cut	Cut Length	Capacity	Price Each
P107-S	10"		2.5" (63.5mm)	22ga C.R.S. 26ga S.S.	\$13.30
P127-S	12"		3" (76.2mm)	20ga C.R.S. 22ga S.S.	\$116.25

MIDWEST DUCKBILL TINNER SNIPS

Part Number	Description	Cut	Cut Length	Capacity	Price Each
P77-D	7"		1.75" (44.4mm)	24ga C.R.S. 28ga S.S.	\$11.45
P107-D	10"		2.5" (63.5mm)	24ga C.R.S. 26ga S.S.	\$14.55
P127-D	12"		3" (76.2mm)	20ga C.R.S. 24ga S.S.	\$17.50

MIDWEST PATTERN TINNER SNIPS

Part Number	Description	Cut	Cut Length	Capacity	Price Each
P147-C	14"		3.875" (98.4mm)	18ga C.R.S. 22ga S.S.	\$33.25
P147-CBP	14"		3.75" (95.25mm)	18ga C.R.S. 22ga S.S.	\$35.25
P167-B	16"		2.5" (63.5mm)	16ga C.R.S. 18ga S.S.	\$38.35



Kush'n-Kote vinyl no-slips comfort the user's hand

Hot-drop forged and heat treat blades offer strength, durability and sharpness

Case-hardened slab bolt with special lockbolt keeps blades in adjustment for over 30,000 cycles.

P107S STRAIGHT BLADE



MAGSNIPS

Features and Benefits

Light-in-weight cast magnesium frame weights half as much as comparable size traditional tinner snips, making MagSnips™ versatile and easy to maneuver. Offset models weigh just 14 oz. and the straight cut model weigh 13oz.

Replaceable blades are economical and easy to replace. Each replaceable blade kit includes replaceable blades, screws, and nuts and a center pivot bolt nut.







Offset models feature a patented design that flows material away from the blades making it easy to cut long materials and keeping the hand safely above the working surface. A 2-3/4" cut length makes long cuts easy and the extended blade tips make it easy to get.

Comfortable handle bows are contoured to fit the user's hand with finger hole below bow to aid in gripping and guiding the tool while cutting.

Light Weight.

Weigh only 14.4 oz, making them easier to use, more convenient than traditional forged blade tinner snips.

MIDWEST MAGSNIP PATTERN SNIPS

Part Number	Description	Cut	Cut Length	Capacity	Price Each
M1200			3.5" (88.9mm)	22ga C.R.S. 26ga S.S.	\$24.00
M2110			3.5" (88.9mm)	22ga C.R.S. 26ga S.S.	\$25.35
M2210			3.5" (88.9mm)	20ga C.R.S. 22ga S.S.	\$25.35

MIDWEST MAGSNIP REPLACEMENT BLADES

Part Number	Description	Price Each
M1200R	Replacement Blade Set for M1200 MAGSNIP	\$7.00
M2110R	Replacement Blade Set for M2110 MAGSNIP	\$7.00
M2210R	Replacement Blade Set for M2210 MAGSNIP	\$7.00



M1200R



M2110R



M2210R

Replaceable Blades

Easily replaceable with a screwdriver and wrench, making them economical and practical.



M2110 MAGSNIP

Patented Offset Blade Design

Flows material making long cuts easy and keeping hands safely above material.

SNIPS



Better ideas for the real world

MAX 2000 SNIPS

Features and Benefits

Max2000 Aviation Snips feature hardened alloy steel blades offering maximum cutting edge life. Superior material flow and lower profile allows maximum maneuverability.

Fast adjusting, long life pivot bolt and nylon locking nut with pressure washer hold desired adjustment even for repetitive use in heavy gauge metal.

The ergonomic grip maximizes power stroke of hand.

NEW DESIGN!



MALCO MAX2000 AVIATION SNIPS

Part Number	Description	Cut	Cut Length	Capacity	Price Each
M2001			1.38" (35.0mm)	18ga C.R.S. 20ga S.S.	\$24.20
M2002			1.38" (35.0mm)	18ga C.R.S. 20ga S.S.	\$24.20
M2003			1.687" (42.86mm)	18ga C.R.S. 20ga S.S.	\$24.20
M2005			1.06" (26.9mm)	18ga C.R.S. 20ga S.S.	\$25.40

MALCO MAX2000 OFFSET SNIPS

Part Number	Description	Cut	Cut Length	Capacity	Price Each
M2006			1.25" (31.8mm)	18ga C.R.S. 20ga S.S.	\$29.40
M2007			1.25" (31.8mm)	18ga C.R.S. 20ga S.S.	\$29.40

Original Design.
No Longer Available.



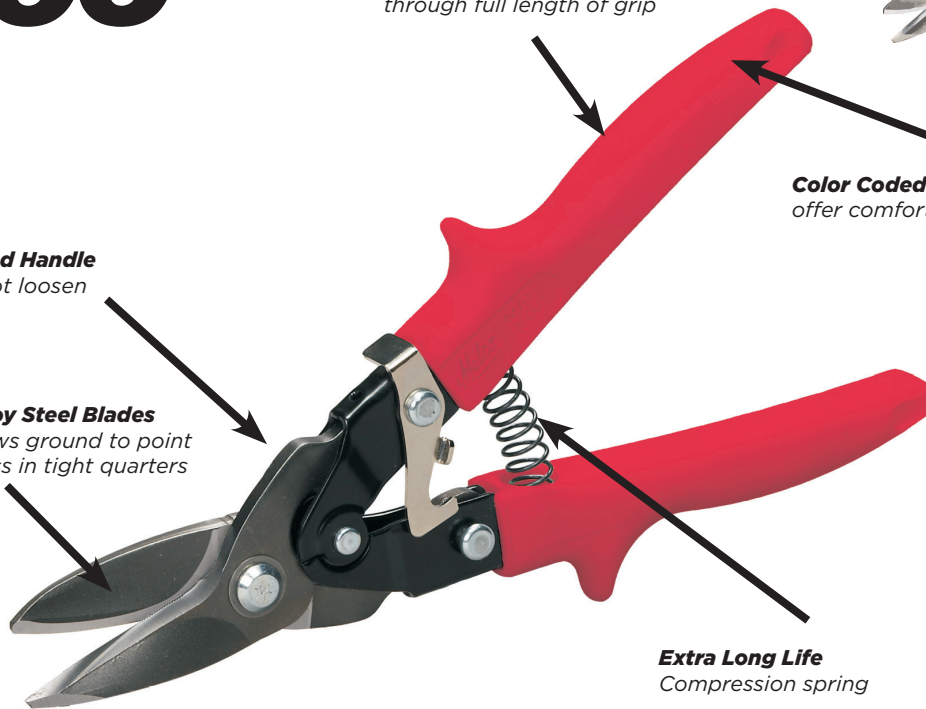
Steel Handle Shaft Extends through full length of grip

Color Coded Thermoplastic grips offer comfort and sure handling

Riveted Handle
Will not loosen

Hardened Alloy Steel Blades
with tips of jaws ground to point allowing access in tight quarters

Extra Long Life
Compression spring



M2001 AVIATION SNIP



ANDY SNIPS





ANDY Combination and Pattern Snips feature sleek styling, easy blade replacement and a lightweight aluminum handle.

The sleek head design improves maneuverability, making the Andy snip ideal for making cuts in tight areas such as "J" channel.





12" Andy snips feature a full 3.00" (76.2mm) cutting length, and the 14" Andy snips a full 3.25" (82.6mm) cutting length. Great for long straight cuts!

Blade replacement is simple and easily accomplished in the field, keeping downtime due to damaged or dull blades to a minimum.



MALCO ANDY 12" & 14" PATTERN SNIPS

Part Number	Description	Cut	Cut Length	Capacity	Price Each
M12N	12" 		3.00" (76.2mm)	24ga C.R.S. 26ga S.S.	\$30.30
M14N	14" 		3.25" (82.55mm)	24ga C.R.S. 26ga S.S.	\$34.95





MALCO ANDY CLASSIC 12" & 14" PATTERN SNIPS

Part Number	Description	Cut	Cut Length	Capacity	Price Each
M12A	12" 		3.00" (76.2mm)	24ga C.R.S. 26ga S.S.	\$30.30
M14A	14" 		3.25" (82.55mm)	24ga C.R.S. 26ga S.S..	\$34.95





MALCO ANDY 12" PATTERN SNIPS W/COMFORT GRIP

Part Number	Description	Cut	Cut Length	Capacity	Price Each
M12NG	12" 		3.00" (76.2mm)	24ga C.R.S. 26ga S.S.	\$34.10



MALCO ANDY 12" & 14" COMBINATION SNIPS

Part Number	Description	Cut	Cut Length	Capacity	Price Each
MC12N	12" 		3.00" (76.2mm)	24ga C.R.S. 26ga S.S.	\$35.30
MC14N	14" 		3.25" (82.55mm)	24ga C.R.S. 26ga S.S.	\$39.15

MALCO ANDY 12" & 14" CLASSIC COMBINATION SNIPS

Part Number	Description	Cut	Cut Length	Capacity	Price Each
MC12A	12" 		3.00" (76.2mm)	24ga C.R.S. 26ga S.S.	\$35.30
MC14A	14" 		3.25" (82.55mm)	24ga C.R.S. 26ga S.S.	\$39.15

MALCO ANDY 12" COMBINATION SNIPS W/COMFORT GRIP

Part Number	Description	Cut	Cut Length	Capacity	Price Each
MC12NG	12" 		3.00" (76.2mm)	24ga C.R.S. 26ga S.S.	\$38.50

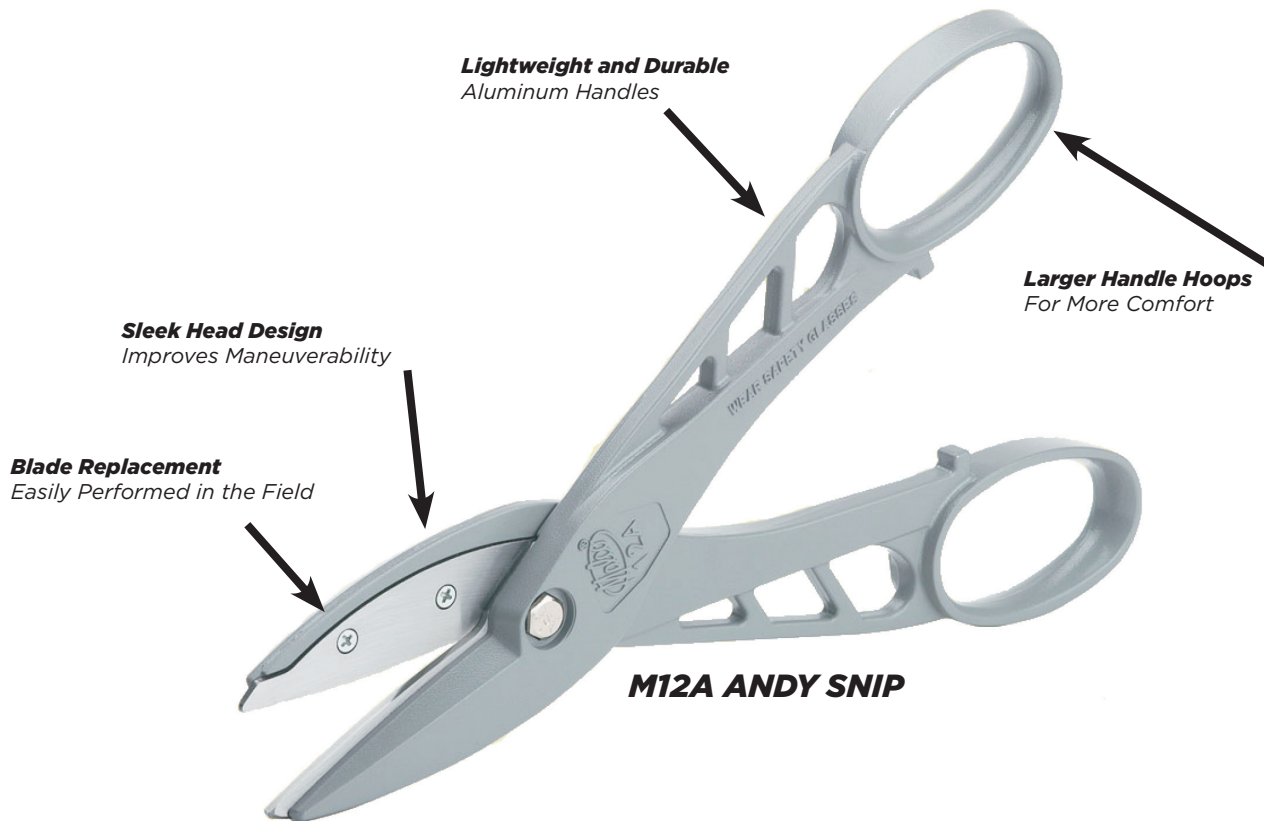


Better ideas for the real world

ANDY SNIPS REPLACEMENT BLADES

MALCO Replacement Blades for all
ANDY Snips.

MALCO ANDY SNIPS REPLACEMENT BLADES		
Part Number	Description	Price Each
M12NRB	Replacement Blades M12N and M12NG Pattern Snips	\$15.10
MC12NRB	Replacement Blades MC12N and MC12NG Combination Snips	\$18.10
M12ARB	Replacement Blades M12A Classic Pattern Snips	\$15.10
MC12ARB	Replacement Blades MC12A Classic Combination Snips	\$18.10
M14NRB	Replacement Blades M14N Classic Pattern Snips	\$17.40
MC14NRB	Replacement Blades MC14N Classic Combination Snips	\$19.70
M14ARB	Replacement Blades M14A Classic Pattern Snips	\$17.40
MC14ARB	Replacement Blades MC14A Classic Combination Snips	\$19.70





Better ideas for the real world

FORGED STEEL SNIPS



Malco Forged Steel Snips are designed to perform a variety of tasks.

M9 Forged Steel Regular Pattern Snips are designed for cutting straight lines and wide curves.



M15 Forged Steel Bulldog Pattern Snips are big, powerful and designed specifically for straight cuts and notching.

MD10 and MD12 Forged Steel Circular "Duckbill" Snips maneuver easily and cut to the very tip of the blade.





MALCO FORGED STEEL REGULAR PATTERN SNIP

Part Number	Description	Cut	Cut Length	Capacity	Price Each
M9			3.00" (76.2mm)		\$27.55

MALCO FORGED STEEL BULLDOG PATTERN SNIP

Part Number	Description	Cut	Cut Length	Capacity	Price Each
M15			2.5" (63.5mm)		\$68.50

MALCO FORGED STEEL DUCKBILL SNIP

Part Number	Description	Cut	Cut Length	Capacity	Price Each
MD10	10" 		2.5" (63.5mm)		\$19.65
MD12	12" 		3.00" (76.2mm)		\$24.80

SHEARS



Better ideas for the real world

TURBOSHEAR

The MALCO TurboShear Original makes your corded or cordless drill a power shear instantly!

- Requires two (2) hands to operate
- Optional Drill Clamp No. TSDC available for one handed operation
- Blade cuts straight and to the left
- Minimum 14.4 volt 3/8" cordless drill required
- Jaw opening navigates tight curve patterns & squares
- Blind cuts require a 1/2" starting hole

DOES NOT INCLUDE DRILL!

MALCO TURBOSHEAR ORIGINAL			
Part Number	Description	Capacity	Price Each
TS1	Malco TurboShear Original*	20ga Galv. Steel	\$51.60
TSDC	TSDC Drill Clamp Adapter*	N.A.	\$20.80
TS1RB	Replacement Blades for Malco TurboShear Original Tool	20ga Galv. Steel	\$27.20

*Cordless or corded drill not included with any TurboShear model



Better ideas for the real world

TURBOSHEAR HD

The MALCO TurboShear Heavy-Duty makes your corded or cordless drill a power shear instantly!

- Lightweight shear head for easy one-handed control
- TSDC Drill Clamp included for one-handed operation
- Jaw opening negotiates tight curve patterns, squares, mild panel profiles, layered metal and seams
- 18ga capacity
- Blind cuts require 1/2" starting hole
- Minimum 14.4 volt 3/8" drill required

DOES NOT INCLUDE DRILL!

MALCO TURBOSHEAR HEAVY DUTY			
Part Number	Description	Capacity	Price Each
TSHD	Malco TurboShear Heavy Duty. Includes TSDC Drill Clamp Adapter	18ga Galv. Steel	\$95.00
TSHDRB	Replacement Blades for Malco TurboShear Heavy Duty Tool	18ga Galv. Steel	\$40.90

*Cordless or corded drill not included with any TurboShear model



Drill not included

IRWIN[®] Industrial Tools

AVIATION SNIPS

Irwin Aviation and Utility Snips feature compound cutting action with Pro-Touch™ textured grips and E-Z close latch.









Pro-Touch™ Grips provide superior comfort and resist twisting.

TINNER SNIPS

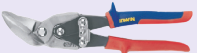



Irwin Tinner Snips feature hot-drop forged blades to provide maximum strength and long life, while the precision ground edges on the blades ensure a tight grip on each cut for superior cutting quality.

Handles are encased in Plastisol for better comfort and reduced hand fatigue during cutting.



IRWIN AVIATION SNIPS

Part Number	Description	Cut	Cut Length	Capacity	Price Each
2073111			1-5/16" (33mm)	18ga C.R.S. 23ga S.S.	\$12.55
2073112			1-5/16" (33mm)	18ga C.R.S. 23ga S.S.	\$12.55
2073113			1-5/16" (33mm)	18ga C.R.S. 23ga S.S.	\$12.55
2073115			3/4" (19mm)	16ga C.R.S. 18ga S.S.	\$12.55













IRWIN OFFSET AVIATION SNIPS

Part Number	Description	Cut	Cut Length	Capacity	Price Each
2073211			1-5/16" (33mm)	18ga C.R.S. 23ga S.S.	\$14.45
2073212			1-5/16" (33mm)	18ga C.R.S. 23ga S.S.	\$14.45

IRWIN MULTI-PURPOSE UTILITY SNIP

Part Number	Description	Cut	Cut Length	Capacity	Price Each
21304			3-1/8" (80mm)	24ga C.R.S. 26ga S.S.	\$14.50

IRWIN TINNER SNIPS

Part Number	Description	Cut	Cut Length	Capacity	Price Each
22007	22007 		1-1/2" (38mm)	24ga C.R.S. 28ga S.S.	\$10.26
22010			2" (51mm)	22ga C.R.S. 26ga S.S.	\$12.73
22012			2-3/4" (70mm)	20ga C.R.S. 22ga S.S.	\$16.06
23007	23007 		1-1/2" (38mm)	26ga C.R.S. 28ga S.S.	\$10.73
23010			2" (51mm)	24ga C.R.S. 26ga S.S.	\$13.11
23012			2-3/4" (70mm)	22ga C.R.S. 24ga S.S.	\$16.31

VICE-GRIP STRAIGHT JAW LOCKING PLIERS

0102L3



Straight jaw provides maximum contact on flat, square or hex work.

VICE-GRIP STRAIGHT JAW LOCKING PLIERS

Part Number	Description	Length	Price Each
0102L3	Vice-Grip® 10R Straight Jaw Locking Pliers	10"	\$11.55
0302L3	Vice-Grip® 7R Straight Jaw Locking Pliers	7"	\$10.75

VICE-GRIP CURVED JAW LOCKING PLIERS WITH WIRE CUTTER

0502L3



Curved jaw puts tremendous pressure on for points of any style nut or bolt head.

VICE-GRIP CURVED JAW LOCKING PLIERS W/WIRE CUTTER

Part Number	Description	Length	Price Each
0502L3	Vice-Grip® 10R Straight Jaw Locking Pliers	10"	\$12.25
0702L3	Vice-Grip® 7R Straight Jaw Locking Pliers	7"	\$11.45
0902L3	Vice-Grip® 5R Straight Jaw Locking Pliers	5"	\$10.45

VICE-GRIP LONG NOSE LOCKING PLIERS WITH WIRE CUTTER

1402L3



Long, straight nose provides easy access in narrow, hard-to-reach places.

VICE-GRIP LONG NOSE LOCKING PLIERS W/WIRE CUTTER

Part Number	Description	Length	Price Each
1502L3	Vice-Grip® 9LN Straight Jaw Locking Pliers	9"	\$14.50
1402L3	Vice-Grip® 6LN Straight Jaw Locking Pliers	6"	\$12.25
1602L3	Vice-Grip® 4LN Straight Jaw Locking Pliers	4"	\$11.25

High-Grade Alloy Steel

- Heat treated for maximum durability

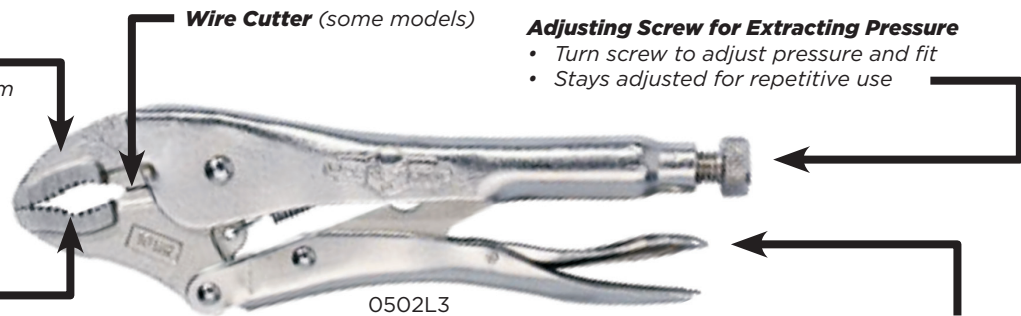
Hardened Teeth

- Designed to grip at any angle
- Broached for maximum durability

Wire Cutter (some models)

Adjusting Screw for Extracting Pressure

- Turn screw to adjust pressure and fit
- Stays adjusted for repetitive use



Guarded Release Trigger (some models)

- Protects from accidental release
- Releases quickly

VICE-GRIP® LOCKING PLIERS

VICE-GRIP LOCKING C-CLAMPS REGULAR TIPS



Wide opening jaws provide greater variety of shapes.

VICE-GRIP LOCKING C-CLAMPS W/REGULAR TIPS

Part Number	Description	Size	Jaw Adjustment	Throat Depth	Price Each
21	Vice-Grip® 18R Locking C-Clamp Regular Tips	18"	0"-8"	9-1/2"	\$27.75
19	Vice-Grip® 11R Locking C-Clamp Regular Tips	11"	0"-3-3/8"	2-5/8"	\$18.99
30	Vice-Grip® 9DR Locking C-Clamp Regular Tips	9"	0"-4-1/2"	4-3/4"	\$14.95
17	Vice-Grip® 6R Locking C-Clamp Regular Tips	6"	0"-2-1/8"	1-1/2"	\$11.27



VICE-GRIP LOCKING C-CLAMPS SWIVEL PADS



Wide opening jaws provide greater variety of shapes.

VICE-GRIP LOCKING C-CLAMPS W/SWIVEL PADS

Part Number	Description	Size	Jaw Adjustment	Throat Depth	Price Each
22	Vice-Grip® 18SP Locking C-Clamp - Swivel Pads	18"	0"-8"	9-1/2"	\$26.95
20	Vice-Grip® 11SP Locking C-Clamp Swivel Pads	11"	0"-3-3/8"	2-5/8"	\$19.00
31	Vice-Grip® 9SSP Locking C-Clamp Regular Tips	9"	0"-4-1/2"	4-3/4"	\$14.90
18	Vice-Grip® 6SP Locking C-Clamp Regular Tips	6"	0"-2-1/8"	1-1/2"	\$11.80

VICE-GRIP LOCKING SHEET METAL TOOL



Makes bending, forming and crimping sheet metal jobs easier.

VICE-GRIP LOCKING SHEET METAL TOOL

Part Number	Description	Size	Jaw Adjustment	Throat Depth	Price Each
23	Vice-Grip® 8R Locking Sheet Metal Tool	8"	0"- 1/2"	1-3/4"	\$16.95

MIDWEST SNIPS

MIDWEST SEAMERS

Midwest's Interchangeable Blade hand seamers (tongs) feature the same compound leverage design with comfort grip handles designed specifically for the tradesman. Designed to bend cold-rolled steel, stainless, aluminum, copper and other metals.

MIDWEST REPLACEABLE BLADE SEAMERS

Part Number	Description	Jaw Depth	Jaw Width	Price Each
MW-S1	Midwest 3" STRAIGHT Replaceable Blade Seamer	1.43" (36mm)	3" (78mm)	\$35.75
MW-S6	Midwest 6" STRAIGHT Replaceable Blade Seamer	1.43" (36mm)	6" (152mm)	\$36.75
MW-S2	Midwest 3" OFFSET Replaceable Blade Seamer	1.43" (36mm)	3" (78mm)	\$39.80
MW-S06	Midwest 6" OFFSET Replaceable Blade Seamer	1.43" (36mm)	6" (152mm)	CALL
MW-S1BK	Midwest 3" Seamer Blade Kit for Replaceable Blade Tools	1.13" (29.7mm)	3" (78mm)	CALL
MW-S5BK	Midwest 5" Seamer Blade Kit for Replaceable Blade Tools	1.13" (29.7mm)	5" (127mm)	CALL
MW-S6BK	Midwest 6" Seamer Blade Kit for Replaceable Blade Tools	1.13" (29.7mm)	6" (152mm)	CALL



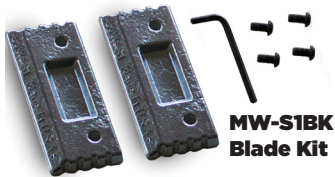
MW-S06



MW-S6



MW-S2



MW-S1BK
Blade Kit

INTERCHANGEABLE
BLADES



MW-S1

MIDWEST SNIPS

MIDWEST SEAMERS

The Midwest MW-ST1 (formerly AMSI PN FCT-M-ST1) and MW-ST2 (old AMSI PN FCT-M-ST2) feature drop forged molybdenum alloy steel for exceptional strength. The traditional design handles feature cushioned non-slip grips.

MIDWEST REPLACEABLE BLADE SEAMERS

Part Number	Description	Jaw Depth	Jaw Width	Price Each
MW-ST1	Midwest 3" STRAIGHT Forged Seamer	1.13" (29.7mm)	3" (78mm)	\$25.95
MW-ST2	Midwest 6" OFFSET Forged Seamer	1.13" (29.7mm)	3" (78mm)	\$29.85



MW-ST1



MW-ST2



Better ideas for the real world

Malco Seamers feature drop-forged high impact steel jaws and hardened steel handles with non-slip vinyl grips to provide comfort and control. Jaws also feature vee-notched graduations at 1/4" increments.

MALCO SEAMERS / FOLDING TOOLS

Part Number	Description	Jaw Depth	Jaw Width	Price Each
S2R	Malco 3" Seamer Straight	1-1/4"	3-1/4"	\$47.95
S3R	Malco 3" Seamer Offset	1-1/4"	3-1/4"	\$53.00
S6R	Malco 6" Seamer Straight	1-1/4"	6"	\$68.25



S2R



S3R



S6R



Better ideas for the real world

Malco Drip Edge Folding Tools are available in two models: 24 Inch and 18 Inch. They match up with most standing seam panel widths. Easily create 1 inch or 1-1/2" deep bends. Will bend up to 22 gauge material.

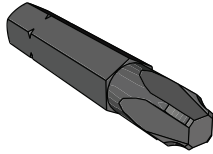
MALCO DRIP EDGE FOLDING TOOLS

Part Number	Description	Bending Depth	Tool Length	Price Each
DEFT	24 Inch Drip Edge Folding Tool	1" & 1-1/2"	24"	\$71.15
DEFT1	18 Inch Drip Edge Folding Tool	1" & 1-1/2"	18"	\$55.15



COMBO DRIVE

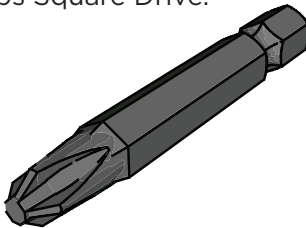
Great fit for combo and Phillips Square Drive screws. High Quality for long service life.



COMBO DRIVE BITS				
Part Number	Description	Length	Shank Dia.	Price Each
COMBT2S500	Phillips Square Drive Bit	1"	1/4"	\$0.75
COMBT2M500	Phillips Square Drive Bit	1-1/2"	1/4"	\$0.85
COMBT2XL50	Phillips Square Drive Bit	3"	1/4"	\$0.95

PHILLIPS DRIVE

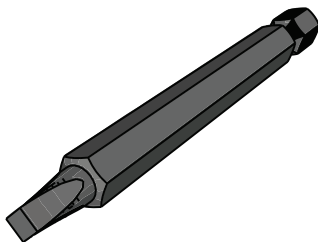
Designed for #2 and #3 Phillips drive screws. Not recommended for use with Combo, Quadrex or Phillips Square Drive.



PHILLIPS DRIVE BITS				
Part Number	Description	Length	Shank Dia.	Price Each
27361	#2 Phillips Drive Bit	1-15/16"	1/4"	\$0.50
27362	#3 Phillips Drive Bit	1-1/2"	1/4"	\$0.64
27364	#2 Phillips Drive Bit	2-3/4"	1/4"	\$0.70
27365	#3 Phillips Drive Bit	2-3/4"	1/4"	\$0.90

SQUARE DRIVE

Square drive bits fit all No. 2 square drive screws, as well as Phillips Square drive, Combo and Quadrex screws. Made of high quality steel.



SQUARE DRIVE BITS				
Part Number	Description	Length	Shank Dia.	Price Each
80020	#2 Square Drive Bit	1"	1/4"	\$0.75
80010	#2 Square Drive Bit	1-15/16"	1/4"	\$0.95
93221	#2 Square Drive Bit	3"	1/4"	\$1.05

**ALWAYS WEAR EYE PROTECTION
WHEN DRIVING SCREWS**

MAGNETIC HEX DRIVERS

Our Magnetic Hex Drivers are available in 1/4", 5/16", 3/8" and 7/16" and multiple lengths. Constructed of high quality steel for long life.



1/4" MAGNETIC HEX DRIVERS				
Part Number	Description	Length	Shank Dia.	Price Each
MSH1/4	1/4" Magnetic Hex Driver	1-3/4"	1/4"	\$2.70
MSHL1/4	1/4" Magnetic Hex Driver	2-9/16"	1/4"	\$3.40
MSHXL1/4	1/4" Magnetic Hex Driver	6"	1/4"	\$8.35

5/16" MAGNETIC HEX DRIVERS				
Part Number	Description	Length	Shank Dia.	Price Each
MSH5/16	5/16" Magnetic Hex Driver	1-3/4"	1/4"	\$3.00
MSHL5/16	5/16" Magnetic Hex Driver	2-9/16"	1/4"	\$3.90
MSHXL5/16	5/16" Magnetic Hex Driver	6"	1/4"	\$9.60
3051008	5/16" Magnetic Hex Driver	12"	1/4"	\$10.20

3/8" MAGNETIC HEX DRIVERS				
Part Number	Description	Length	Shank Dia.	Price Each
MSH3/8	3/8" Magnetic Hex Driver	1-3/4"	1/4"	\$5.25
MSHL3/8	3/8" Magnetic Hex Driver	2-9/16"	1/4"	\$6.95
3051009	3/8" Magnetic Hex Driver	12"	1/4"	\$10.30

7/16" MAGNETIC HEX DRIVERS				
Part Number	Description	Length	Shank Dia.	Price Each
MSHL7/16	7/16" Magnetic Hex Driver	2-9/16"	1/4"	\$8.25

The colored ring helps to identify the hex opening size of the driver.

Red (1/4"), Yellow (5/16"), Blue (3/8"), Brown (7/16")



Seam Opening Pliers are designed to open all mechanical lock seams quickly and easily.

STUBAI SEAM OPENING PLIERS		
Part Number	Description	Price Each
2795-01	Stubai Seam Opening Pliers - Red Handle	\$33.50

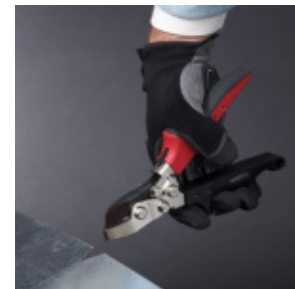


ONE-INCH NOTCHER

The MALCO N2R Notcher punches a big 1" (25.4mm) deep "V" notch in common 24 to 30 ga (0.71-0.41mm) gauge galvanized sheet metal quickly & easily.

Can also be used in copper up to 0.023" thick and aluminum up to 0.035" thick.

MALCO ONE-INCH NOTCHER		
Part Number	Description	Price Each
N2R	Malco One-Inch Notcher	\$50.00





PITCH / ANGLE METER SLT-AL200 MAGNETIC BASE

Our Rotary Dual Scale Pitch/Angle Meters offer fast and accurate pitch / degree measuring or setting, simple one-hand operation with the handle mounted thumb screw, handy conversion charts and reference graphics and magnetic base.



TAJIMA MAGNETIC BASE PITCH / ANGLE METER

Part Number	Description	Price Each
SLT-AL200	Rotary Dual Scale Pitch / Angle Meter Magnetic Base	\$33.50

SLT-100 ECONOMY PITCH / ANGLE METER

New from Tajima, the SLT-100 has all of the same features as the SLT-A200 except that it does not have a magnetic base and metal edging.

A great tool for the budget minded, the SLT-100 is the perfect tool for the most pitch and angle calculating chores.

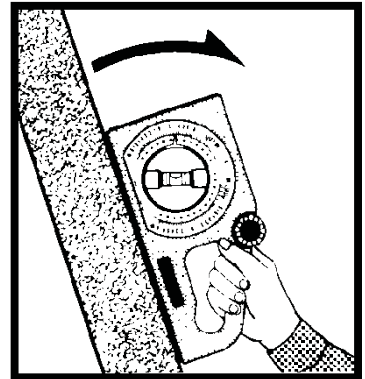
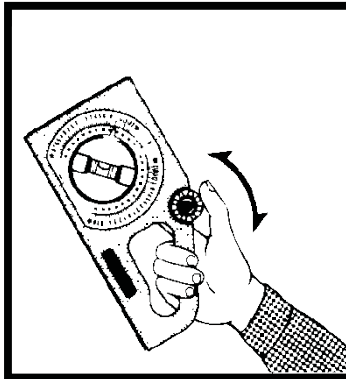
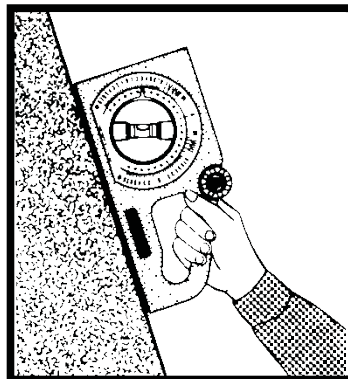
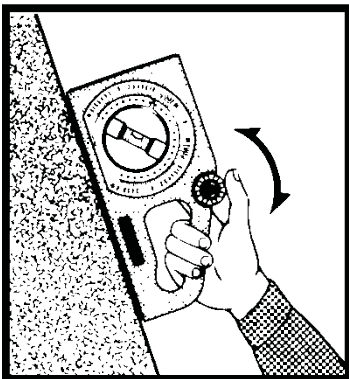
Also an excellent choice when a non-marring tool is needed for softer surfaces.

TAJIMA MAGNETIC BASE PITCH / ANGLE METER

Part Number	Description	Price Each
SLT-100	Economy Dual Scale Pitch / Angle Meter, Non-Magnetic Base	\$27.00



How to use the Tajima SLT Rotary Pitch / Angle Finder:



1 Place the SLT-A200 on the vertical surface and rotate the thumbscrew until the bubble is centered in the level,

2 or use the thumbscrew to set the required angle, place the SLT-A200 against the surface and rotate the surface until the bubble is centered in the level.

DOUBLE-END DRILL BITS

Our #30 Double-End High Speed drill bits are constructed of M-2 high speed steel for the best combination of strength, heat resistance, and wear resistance.

The 135° split point ensures a true start and eliminates bit walking.

The #30 wire size bit is recommended by all pop-rivet manufacturers for 1/8" pop-rivets.

Black Oxide coated for corrosion resistance.

12 per pack

#30 DOUBLE-END DRILL BITS

Part Number	Description	Price each
DRL-61630	12-Pack #30 IRWIN Double-End Drill Bits, Black Oxide	\$11.88





Better ideas for the real world

ECONOMY CAULK GUN

An all purpose caulk gun at a disposable price. Fits all standard 1/10 gallon caulk cartridges.

MALCO ECONOMY CAULK GUN		
Part Number	Description	Price Each
CG10	Economy Caulk Gun for all Standard Cartridges	\$4.80

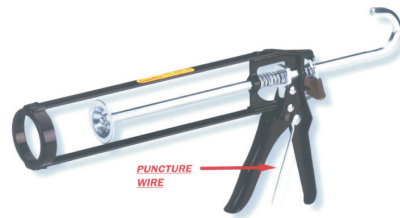


Better ideas for the real world

VALUE PRICED CAULK GUN

This moderately priced caulk gun has a stout metal frame, handy puncture wire and ladder size hang hook. Fits all standard 1/10 gallon caulk cartridges.

MALCO VALUE PRICED CAULK GUN		
Part Number	Description	Price Each
CG12	Steel Frame Caulk Gun for all Standard Cartridges	\$6.00



ROTARY CAULK GUN

1/10 GAL & 1QT SIZES

AUtilizes powerful twin thrust system to easily pump even thick, still adhesives. 360° rotating handle for a quality bead even in tight spaces. Special heat treated and hardened steel shaft and thrust plates ensuring even dispensin and non-slip performance. Fits all standard 1/10 gallon cartridges.

TAJIMA CAULK GUNS		
Part Number	Description	Price Each
CNV-100PL2	Rotary Caulk Gun for all Standard Cartridges	\$12.70
CNV-J900PL	Rotary Caulk Gun 1 Quart Bulk Cartridges	\$17.50



CNV-100PL



CNV-J900PL

GREAT QUALITY at a GREAT PRICE

AMSI PANNING TOOLS

AMSI Panning Tools are manufactured using high quality aluminum alloy, creating a high performance tool that is not only lightweight, but also extremely strong.

The handle is parallel to the bend for better ergonomics and more leverage.

Our standard Panning Tool has a working depth of 1.5", but features two threaded holes that can be used with your 1/4-20 screws to change the working depth to 1".

Bending capacity of up to 22ga steel.



APT-11

AMSI HI-PERFORMANCE PANNING TOOLS

Part Number	Description	Working Depth	Jaw Width	Price Each
APT-11	AMSI Aluminum Panning Tool	1-1/2" (38mm) 1" (25mm)*	11-1/4" (285mm)	\$59.75
APT-15	AMSI Aluminum Panning Tool	1-1/2" (38mm) 1" (25mm)*	15-1/4" (387mm)	\$62.75
APT-17	AMSI Aluminum Panning Tool	1-1/2" (38mm) 1" (25mm)*	17-1/4" (438mm)	\$63.75
APT-19	AMSI Aluminum Panning Tool	1-1/2" (38mm) 1" (25mm)*	19-1/4" (489mm)	\$64.75
APT-20	AMSI Aluminum Panning Tool	1-1/2" (38mm) 1" (25mm)*	20-1/4" (514mm)	\$65.00
APT-24	AMSI Aluminum Panning Tool	1-1/2" (38mm) 1" (25mm)*	24" (607mm)	\$67.00
APT-CL	AMSI Aluminum Panning Tool	1-1/2" (38mm) 1" (25mm)*	28" (711mm)	\$75.00
APT-CLX	AMSI Aluminum Panning Tool	1-1/2" (38mm) 1" (25mm)*	36" (915mm)	\$100.00

AMSI HI-PERFORMANCE PANNING TOOLS-2"

Part Number	Description	Working Depth	Jaw Width	Price Each
APT-11-2	AMSI Aluminum Panning Tool	2" (50.8mm)	11-1/4" (285mm)	\$74.50
APT-15-2	AMSI Aluminum Panning Tool	2" (50.8mm)	15-1/4" (387mm)	\$78.50
APT-17-2	AMSI Aluminum Panning Tool	2" (50.8mm)	17-1/4" (438mm)	\$79.50
APT-19-2	AMSI Aluminum Panning Tool	2" (50.8mm)	19-1/4" (489mm)	\$80.50
APT-20-2	AMSI Aluminum Panning Tool	2" (50.8mm)	20-1/4" (514mm)	\$81.50
APT-24-2	AMSI Aluminum Panning Tool	2" (50.8mm)	24" (607mm)	\$83.50
APT-CL-2	AMSI Aluminum Panning Tool	2" (50.8mm)	28" (711mm)	\$93.50
APT-CLX-2	AMSI Aluminum Panning Tool	2" (50.8mm)	36" (915mm)	\$125.00

All AMSI APT & APT2 Panning tools come with a Lifetime Warranty!

ECONOMY PANNING TOOLS

An economical tool for consistent bends at the high and low ends of roof panels. Also a great time saver for turning up longer folds that seem to take forever with 6" hand tongs. The vertical handle allows neat 180° bends. Zinc Chromate plated for corrosion resistance with a vinyl plastisol grip for comfort.

NEW: 6.5" and 8.5" are perfect for most "R", "M" and AG panel profiles!

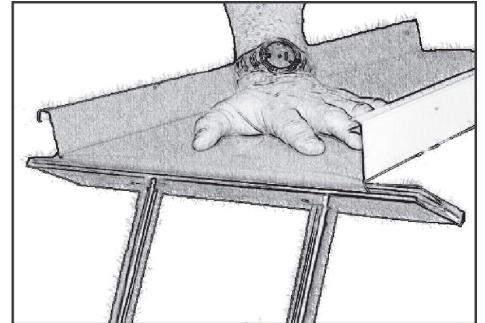
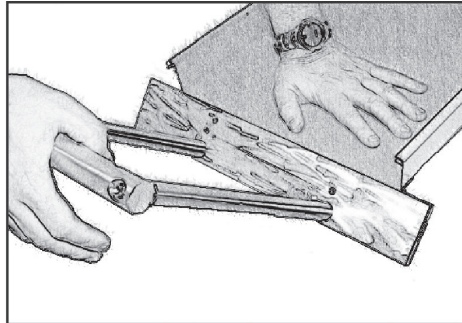
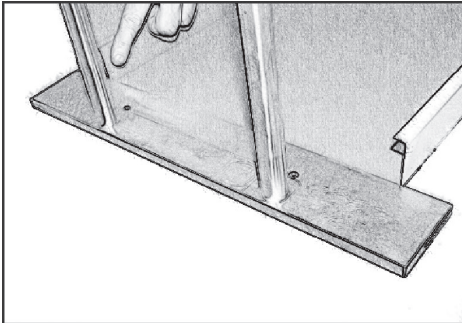


MPH-650-1 fits 9" rib centers
MPH-850-1 fits 12" rib centers

ECONOMY PANNING TOOLS				
Part Number	Description	Working Depth	Jaw Width	Price Each
MPH-850-1	Economy Panning Tool	2" (51mm)	6.5" (165mm)	\$41.00
MPH-650-1	Economy Panning Tool	2" (51mm)	8.5" (215mm)	\$41.00
MPH-1125-1	Economy Panning Tool	1" (25.4mm)	11.25" (285mm)	\$36.00
MPH-1525-1	Economy Panning Tool	1" (25.4mm)	15.25" (387mm)	\$37.00
MPH-1725-1	Economy Panning Tool	1-1/2" (38mm)	17.25" (438mm)	\$38.00
MPH-2000-1	Economy Panning Tool	1-1/2" (38mm)	20.00" (508mm)	\$38.00

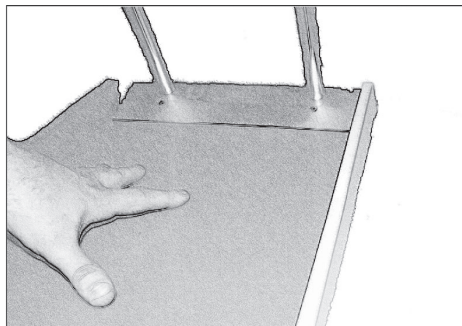
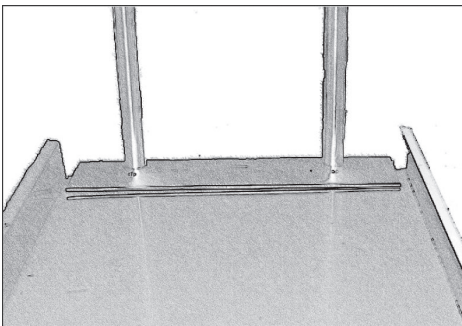
Panning the Eave End of a Panel

We recommend that you select a tool **wider than your panel for panning** at the eaves, for example: 16" wide panel use at least 17.25" (APT-17) tool.



Panning the Ridge End of a Panel

We recommend that you select a tool **wider than your panel for boxing** at the ridge, for example: 16" wide panel use no wider than 15.25" (APT-15) tool.



SEAMING TOOLS

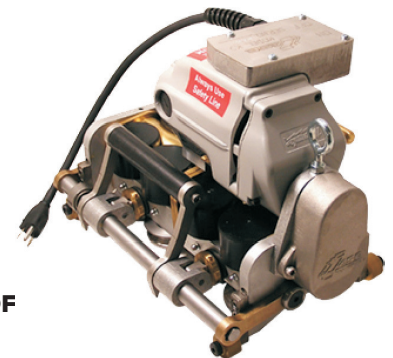
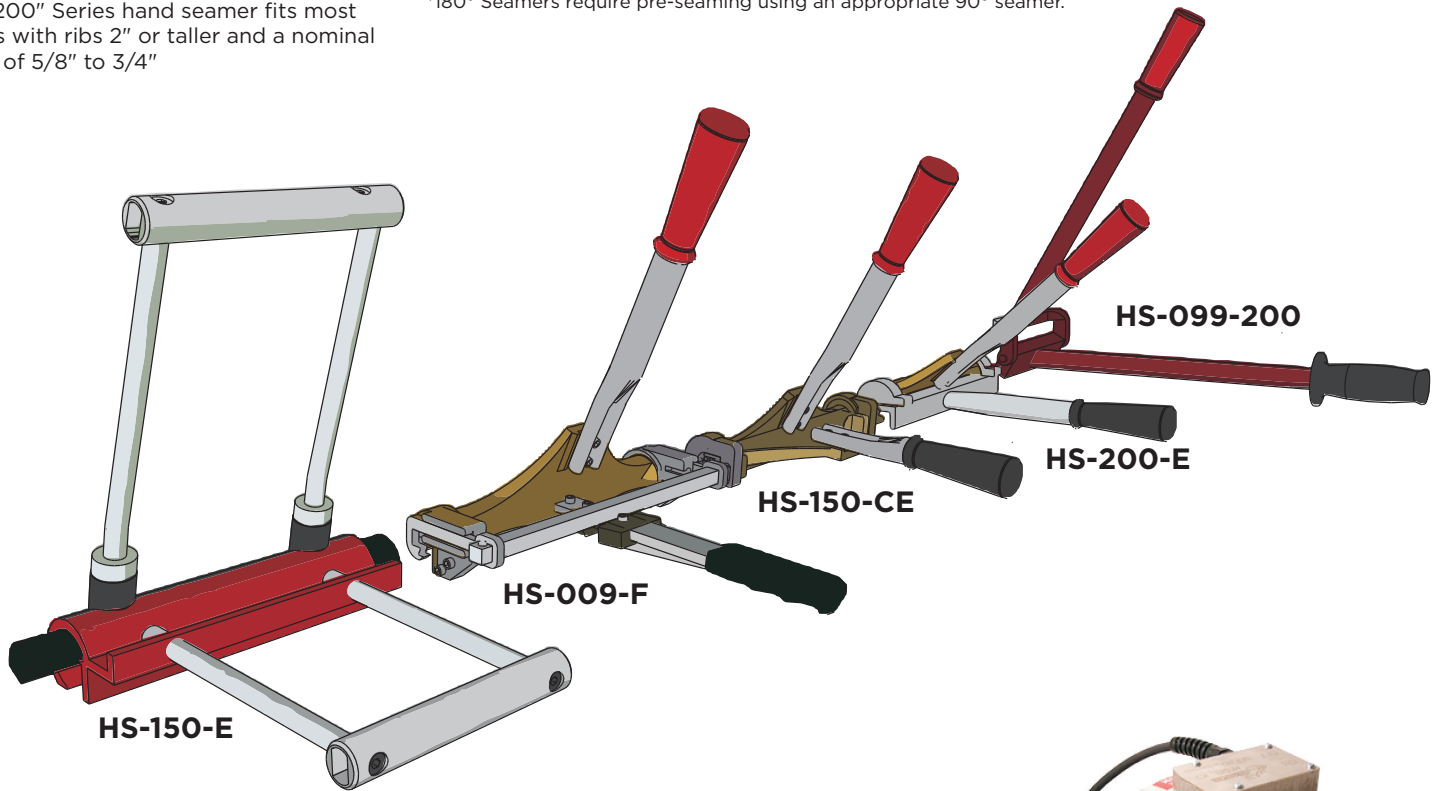


HAND SEAMERS

Our high quality hand seamers are designed for starting a seam prior to finishing with an electric seamer as well as seaming smaller jobs where an electric seamer would not be practical. Also great for those hard to reach places where an electric seamer just won't go. Our "150" Series hand seamers fit most panels with 1" to 2" high ribs from 3/8" to 1/2" wide. Our "200" Series hand seamer fits most panels with ribs 2" or taller and a nominal width of 5/8" to 3/4"

ESE HAND SEAMERS				
Part Number	Description	Working Depth	Jaw Width	Price Each
HS-150-E	90° Seamer, Alloy Constr.	3/8"-1/2" Nominal	1", 1-1/2", 2"	\$140.00
HS-150-CE	90° Seamer, Brass Constr.	3/8"-1/2" Nominal	1", 1-1/2", 2"	\$150.00
HS-099-F	180° Seamer, Brass Constr.*	3/8"-1/2" Nominal	1", 1-1/2", 2"	\$240.00
HS-200-E	90° Seamer, Steel Constr.	5/8"-3/4" Nominal	2", 2-1/2", 3"	\$140.00
HS-099-200	180° Seamer, Steel Constr.*	5/8"-3/4" Nominal	2", 2-1/2", 3"	\$190.00

*180° Seamers require pre-seaming using an appropriate 90° seamer.



FOR INFO REGARDING THE PURCHASE OR RENTAL OF ELECTRICAL SEAMERS, PLEASE CALL US AT

1-800-943-9771



EAVES EDGER 105TK

Tool width of 10" allows quick and accurate sheet shaping at eaves, gutters, dormer windows and more. If needed, a spacer can be put on the eccentric pivot to create edges in excess of 90° for high lips, etc.

EAVES CLOSING JAWS 106TSCH

The jaw width of 8.75" enables a quick and accurate folding of the roof panel sheet at the eaves.

SQUARESEAM FOLDER 111WFSC

This seamer is easy to use when working extreme angular sheeting with smooth lead-on that prevents marking at transitions. Use for both vertical and horizontal seams 8-1/2" wide.

SQUARESEAM FOLDER 128WFSC

Designed for small roof areas, it is efficient to use and can adjust to 4 different lengths. 8.66" wide.

TWIN SQUARESEAM FOLDER 117WDF

This seamer allows simple and quick shaping of single lock seams into double lock in one operation. Should not be used to close a square seam. 8-1/2" wide.

TWIN SQUARESEAM FOLDER UPRIGHT 131WDFST

Used just like the Twin Squareseam folder 117WDF. Handle is adjustable in 3 increments. 8.66" wide.

RAU FOLDING TOOLS		
Part Number	Description	Price Each
91070000	Rau Eaves Edger 105TK	\$275.58
91080000	Rau Eaves Closing Jaws 106TSCH	\$269.70
91100000	Rau Squareseam Folder 111WFSC	\$269.25
91101000	Rau Squareseam Folder Upright 128WFSC	\$393.39
91170000	Rau Twin Squareseam Folder 117WDF	\$333.56
91171000	Rau Twin Squareseam Folder Upright 131WDFST	\$418.41

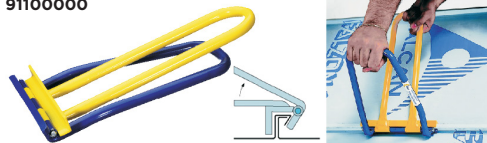
EAVES EDGER 105TK
91070000



EAVES CLOSING JAWS 106TSCH
91080000



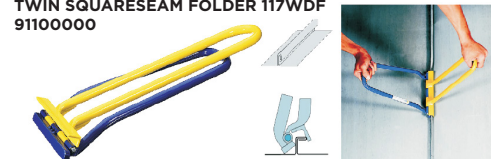
SQUARESEAM FOLDER 111WFSC
91100000



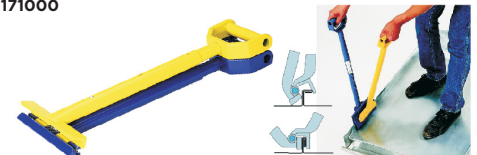
SQUARESEAM FOLDER UPRIGHT 128WFSC
91101000



TWIN SQUARESEAM FOLDER 117WDF
91100000



TWIN SQUARESEAM FOLDER UPRIGHT 131WDFST
91171000





Manufactured in Austria, Stubai tools offer European quality and durability at an affordable price.

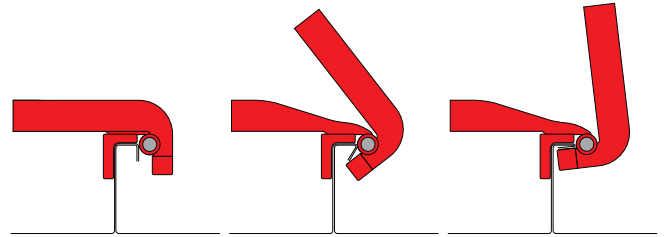
STUBAI BENDING TOOLS		
Part Number	Description	Price Each
2824-12	Stubai SINGLE LOCK (1st Stage) Hand Seamer for 1" and 1-1/2" Mechanically Locked Roof Panels	\$204.75
2824-15	Stubai DOUBLE LOCK (2nd Stage) Hand Seamer for 1" and 1-1/2" Mechanically Locked Roof Panels	\$206.75
2824-13	Stubai DRIP EDGE BENDER For Metal Roof Application	\$204.72
2824-14	Stubai DRIP EDGE SEAMER For Metal Roof Applications	\$207.72

2824-12 STUBAI SINGLE LOCK HAND SEAMER



2824-12

Stubai's Single Lock Hand Seamer is for the 90° first stage seaming process. Must be used prior to the second stage 180° seam is created. Constructed of steel shapes and tubing for extreme durability.

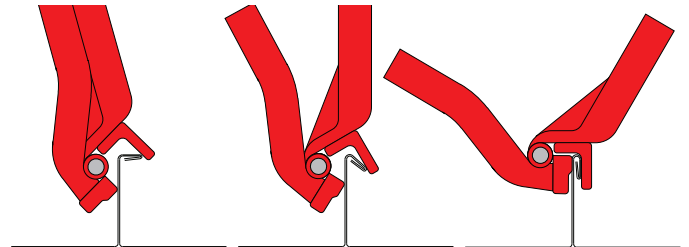


2824-15 STUBAI DOUBLE LOCK HAND SEAMER



2824-15

Stubai's Double Lock Hand Seamer is for the 180° second stage of the seaming process. The seam must be first closed with the single lock seamer (90°). Features the same durable construction as the single lock tool.

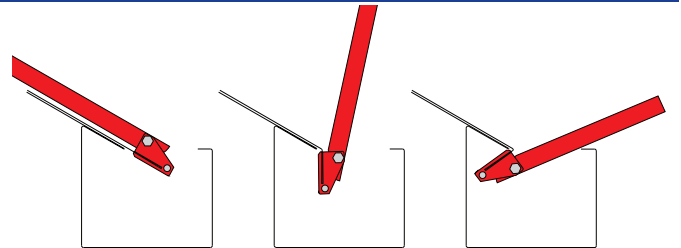


2824-13 STUBAI DRIP EDGE BENDER

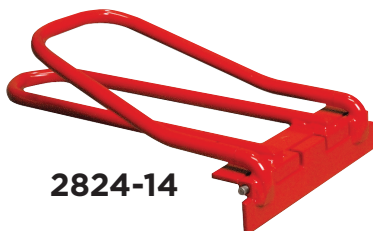


2824-13

The Drip Edge Bender allows a drip edge hook to be formed while the panel is in place and will bend over 90°. The drip edge can then be finished with the Stubai Drip Edge Seamer. 250mm (9.8") wide tool.

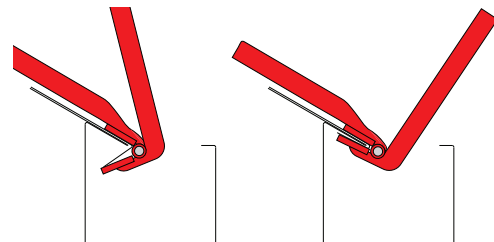


2824-14 STUBAI DRIP EDGE SEAMER



2824-14

Stubai's Drip Edge Seamer is used to finish the bend started by the Drip Edge Bender. This tool makes a crisp finished panel hook for a quality installation. 200mm (7.87") wide tool working area.



WUKO

WUKO MINI-BENDER

The WUKO W2020 & W2050 Mini Benders are used for bending & forming in sheet metal fabrication, both for straight & curved pieces (inner & outer radii). Both tools can form aluminum, copper & steel & zinc. The W2020 can make bends from 0.2" to .78", while the W2050 can make bends from 0.2" to 2" .

W2020



W2050



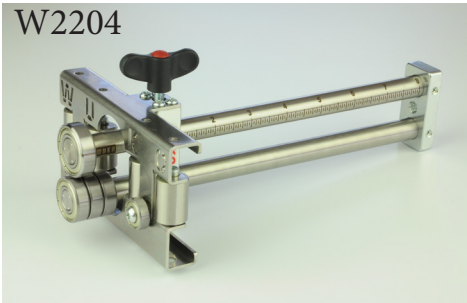
WUKO BENDING TOOLS

Part Number	Description	BEND HEIGHT		Capacity	Weight	Price Each
		Max.	Min.			
W2020	WUKO Mini Bender 2020	.78" 20mm	0.2" 5mm	0.031" 0.8mm	3.1 lbs. 1.4kg	\$298.00
W2050	WUKO Mini Bender 2050	2" 50mm	0.2" 5mm	0.031" 0.8mm	4.2 lbs. 1.9kg	\$324.00
W2204	WUKO Uni Bender III 2204	8" 200mm	0.2" 5mm	0.031" 0.8mm	3.5 lbs. 1.6kg	\$404.00
W2354	WUKO Uni Bender III 2354	14" 350mm	0.2" 5mm	0.031" 0.8mm	4.6 lbs. 2.1kg	\$429.00
W3200	WUKO Duo Bender 3200	8" 200mm	0.2" 5mm	0.031" 0.8mm	6.4 lbs. 2.9kg	\$586.00
W3350	WUKO Duo Bender 3350	14" 350mm	0.2" 5mm	0.031" 0.8mm	8.6 lbs. 3.9kg	\$645.00

WUKO UNI-BENDER III

The WUKO W2204 & W2354 Uni-Bender IIIs are equipped with a longer base featuring 4 guides rollers for easier handling & better guidance on long work pieces. Both tools can be used to form outside radius, but are restricted on inside radius work. The W2204 forms bends from 0.2" to 8", while the W2354 forms bends from 0.2" to 14". Both tools work form aluminum, copper, steel and zinc.

W2204



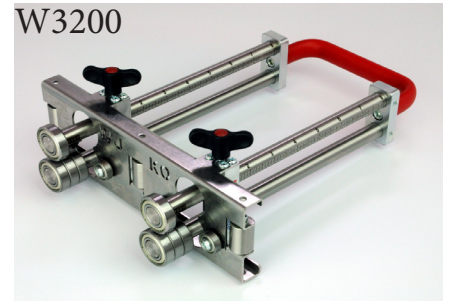
W2354



WUKO DUO BENDER

The WUKO W3200 & W3350 Duo-Bender tools were designed for quick & easy bending of long, straight sheet metal strips (like roof panels). They perform the same work as the Uni-Bender tools, but with their second pair of bending rollers, work faster and more efficiently on longer runs. The W3200 forms bends from 0.2" to 8" while the W3350 forms bends from 0.2" to 14". Both tools work effectively on aluminum copper, steel and zinc.

W3200



W3350



WUKO

DUO PLUS SET for 3200 & 3350

The WUKO Duo Plus Set features the new WUKO Super Clamping Handle and Quick Click Supporting Rail and is designed for use with the WUKO W3200 and W3350 Duo Bender tools.

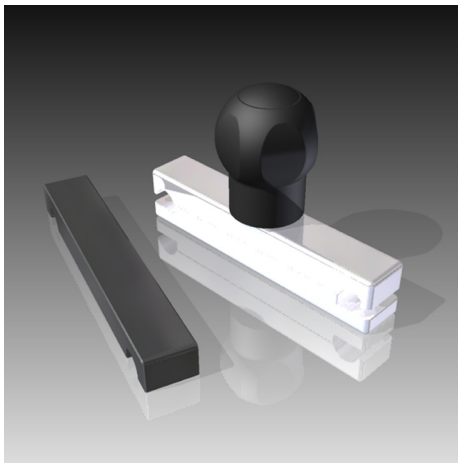
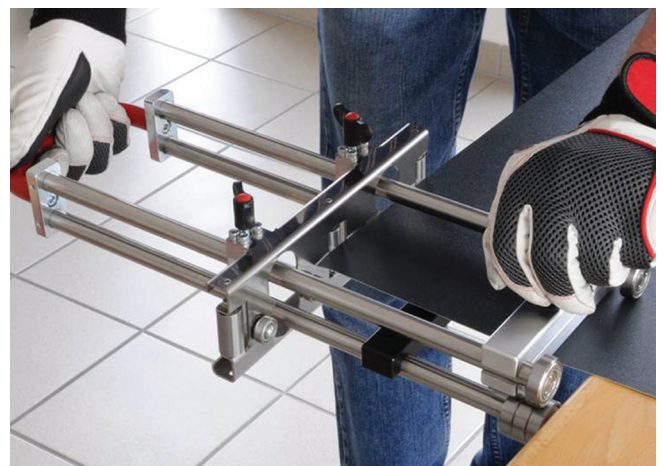
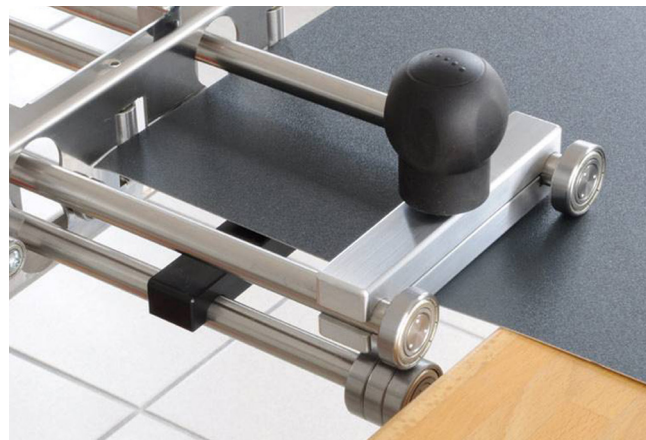
The WUKO Super Clamping Handle quickly attaches to the upper shafts of the Duo Bender, enabling the user to apply additional pressure to the spot where it is really needed.

The Quick Click Supporting Rail simply snaps to the lower rails of the Duo Bender tool and, with its smooth plastic surface, prevents pressure marks on the work materials.

Sold as a set.

WUKO ADJUSTABLE GUIDE FOR WUKO CLIPPER

Part Number	Description	Price Each
WDPS	WUKO Duo Plus Set for Duo Bender Tools	\$62.00



WUKO

DISC-O-BENDER 4000

The WUKO Disc-o-Bender 4000 starts where other WUKO Benders stop- at 90°. The W4000 takes the 90° & bends it over to a maximum of 180°

This tool was designed for bending long straight sheets and is perfect for forming hems (such as on starter panels) in the field.

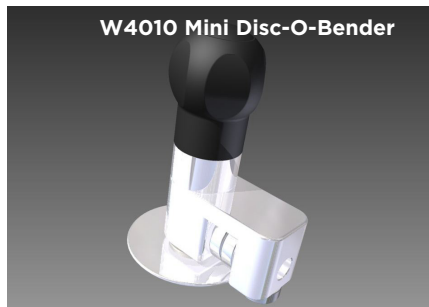
Very easy to handle with a clean, precise result every time.



MINI DISC-O-BENDER

The little brother of the WUKO Disc-O-Bender 4000, the Mini Disc-O-Bender 4010 not only bends straight hems, it can also be used to bend inner and put radius hems!

This tool is an absolute must for creating high quality curved flashings!



WUKO DISC-O-BENDER TOOLS

Part Number	Description	BEND HEIGHT		Capacity	Weight	Price Each
		Max.	Min.			
W4000	WUKO Disc-O-Bender	1.6" 40mm	0.3" 8mm	0.031" 0.8mm	5.51 lbs. 2.5kg	\$642.00
W4010	WUKO Mini Disc-O Bender	.9" 23mm	0.3" 8mm	0.031" 0.8mm	1.32 lbs. 0.6kg	\$357.00

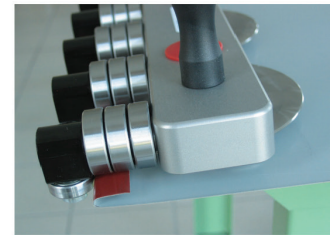
WUKO DISC-O-BENDER 4000



Needs no adjustment



Easy to handle for endless bending



Clean and precise result



To see online video clips of this product, go to:

http://www.amsisupply.com/tools_folding_wuko_discobenders.php

HOW IT'S DONE

Simply place the WUKO DISC-O-BENDER (model 4000 or 4010) on the right angle bend.

Using forward and backward movements, bend down the leg to a maximum of 180°.

It's as simple as that!



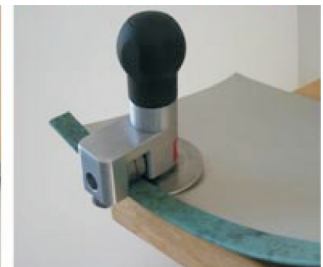
WUKO MINI DISC-O-BENDER 4010



Bends radii



For inner as well as outer radii



No damage to painted or coated material



Mini Bender NOW AVAILABLE IN MONEY SAVING COMBO KITS!

MINI BENDERS

The WUKO Super Mini Bender is the ultimate tool for forming inside and outside radius bends in flat sheet metal goods. It features exceptional inside radius capability, compact and light design and a thickness capacity to .032", depending on the type of material.

Now available in two (2) models with working depths up to 2", as well in money saving COMBO kits!

- Bend from flat sheet up to 90°
- Exceptional minimum inside radius capacity
- Compact, ergonomic design
- Safe for painted or patinaed metals

Creates beautiful hemmed drip edges when used with WUKO Mini Disc-O-Bender, PN W4010

NEW LOWER PRICES!

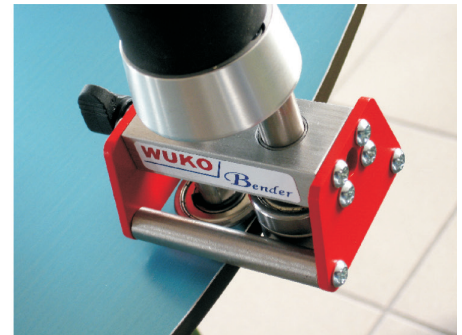
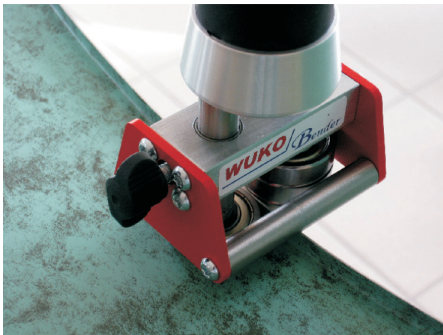
WUKO DEMO VIDEOS



W2020 MINI BENDER				
Capacity	BEND HEIGHT		Weight	Price Each
	Max.	Min.		
Copper-20oz Steel-24ga Aluminum-.032"	0.8" 20mm	0.2" 5mm	1.4 lbs. 0.63kg	\$298.00
Save money with the WUKO W2020-4010 COMBO Kit! The Combo Kit includes one (1) W2020 Super Mini Bender & one (1) W4010 Mini Disc-O-Bender in a hard shell carrying case.				Combo Price*
				\$637.00



W2050 MINI BENDER				
Capacity	BEND HEIGHT		Weight	Price Each
	Max.	Min.		
Copper-20oz Steel-24ga Aluminum-.032"	2.0" 50mm	.02" 5mm	2 lbs. 0.89kg	\$324.00
Save money with the WUKO W2050-4010 COMBO Kit! The Combo Kit includes one (1) W2050 Super Mini Bender & one (1) W4010 Mini Disc-O-Bender in a hard shell carrying case.				Combo Price*
				\$660.50



To see online video clips of this product, go to:

http://www.amsisupply.com/tools_folding_wuko_min_benders.php



WUKO COMBO SETS

Save money with our WUKO Combo Sets.

Our Combo sets feature the most common purchase combinations and include a heavy duty carrying case (not included with single tool purchases).

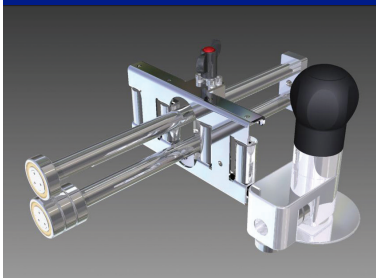
W2050-2204-4010 ANNIVERSARY SET

Save **BIG** with the WUKO Anniversary Set. Includes the W2050 Mini Bender, the W2204 Unibender III and the W4010 Mini Disc-O-Bender with a WUKO folding Ruler in a heavy duty carrying case. Limited Availability.

COMBO KIT PRICE:
\$1048.00



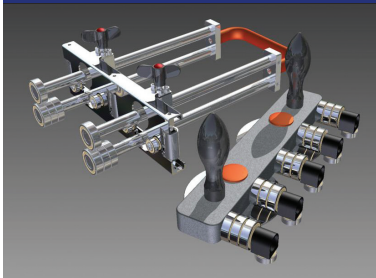
W2204- W4010 COMBO



Save big with our W2204-W4010 Combo Kit! This Combo Kit features the WUKO W2204 Unibender III bending tool and the WUKO W4010 Mini Disc-O-Bender in a heavy duty carrying case.

COMBO KIT PRICE:
\$746.00

W3200 - W4000 COMBO



Save big with our W3200-W4000 Combo Kit! This Combo Kit features the WUKO W3200 DuoBender bending tool and the WUKO W4000 Disc-O-Bender in a heavy duty carrying case.

COMBO KIT PRICE:
\$1189.50

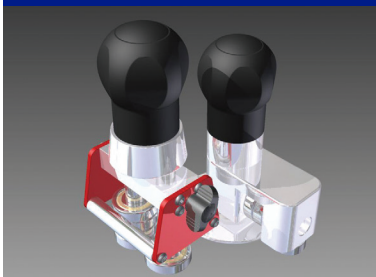
W2020-W4010 COMBO



Save big with our W2020-W4010 Combo Kit! This Combo Kit features the WUKO W2020 Mini Bender tool and the WUKO W4010 Mini Disc-O-Bender in a heavy duty carrying case.

COMBO KIT PRICE:
\$637.00

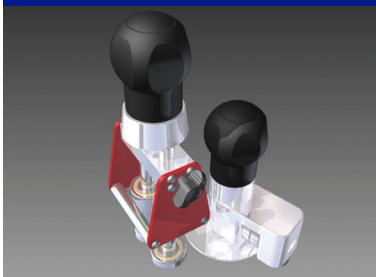
W2050-W4040



Save big with our W2050-W4040 Combo Kit! This Combo Kit features the WUKO W2050 Mini Bender tool and the WUKO W4040 MiniDisc-O-Bender in a heavy duty carrying case.

COMBO KIT PRICE:
\$721.50

W2050-W4010 COMBO



Save big with our W2050-W4010 Combo Kit! This Combo Kit features the WUKO W2050 Mini Bender tool and the WUKO W4010 Mini Disc-O-Bender in a heavy duty carrying case.

COMBO KIT PRICE:
\$660.50

COMBO BENDER



W5000 Combo Bender BEADING & FLANGING TOOL

COMBO BENDER 5000

The WUKO Combo Bender 5000 is the perfect tool for beading, stiffening and offsetting sheet metal in the shop or field.

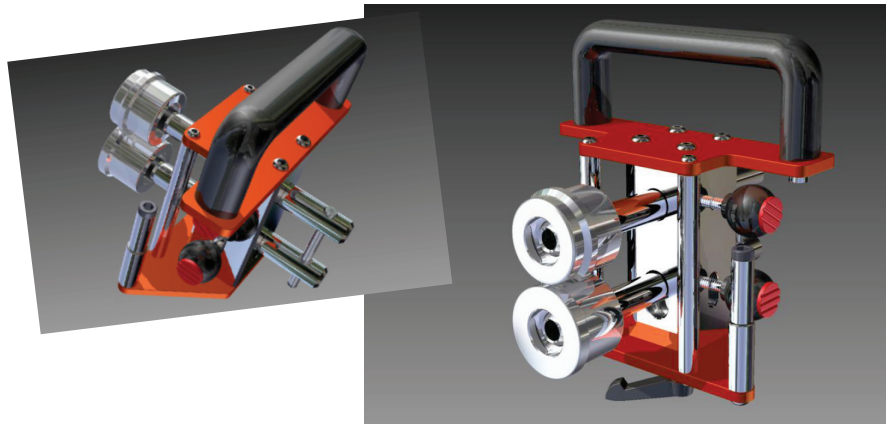
Adjustable to a working depth of 2-1/2", the W5000 has a capacity of .031" in most common sheet metal goods, including copper, aluminum and steel.

The innovative design of the W5000 features an adjustable lower shaft that is manually adjusted during the work process to increase the working pressure.

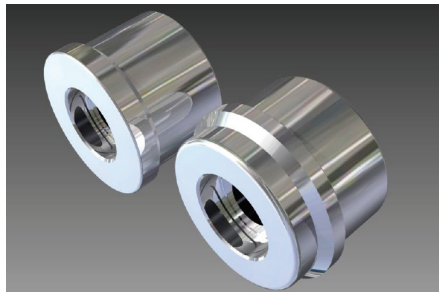
The W5000 comes complete with two sets of roller dies; the W-OFFSET ROLLS are for flanging, while the W-BEADING ROLLS are for beading and stiffening tasks.

WUKO COMBO BENDER 5000*					
Part Number	Description	Throat Depth	Capacity	Weight	Price Each
W5000	WUKO Combo Bender Tool*	0-2-1/2" 0-6.5cm	0.031" 0.8mm	4.2lbs 1.9kg	\$528.00

*Includes: W5000 Combo Bender Too, one (1) set W-OFFSET ROLLS and one (1) set W-BEADING ROLLS

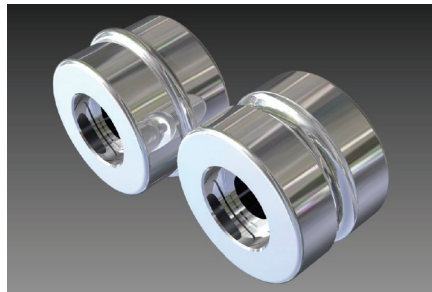


REPLACEMENT ROLLER DIES FOR WUKO 5000		
Part Number	Description	Price Each
W-BEADING ROLLS	Set of Beading Rolls for WUKO 500 Combo Bender	\$117.00
W-OFFSET ROLLS	Set of Offset Rolls for WUKO 500 Combo Bender	\$117.00



W-OFFSET ROLLS

WUKO offset rolls form a offset flange approximately 0.10" high, depending on the material formed and the pressure adjustment of the tool.



W-BEADING ROLLS

WUKO beading rolls form a pencil rib approximately 0.10" high and 0.20" wide depending on the material formed and the pressure adjustment of the tool.

WUKO 5000
INFO & VIDEO





LOCK'N'ROLLER 1040

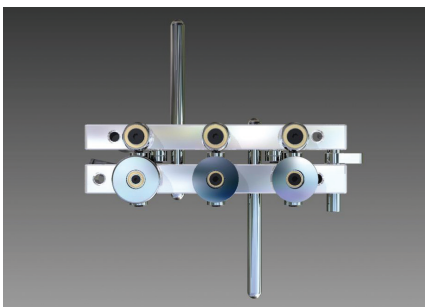
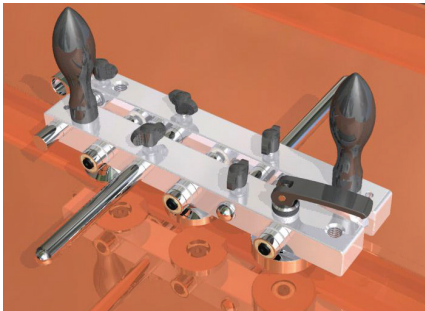
The WUKO Lock'n'Roller 1040 is an excellent choice for field seaming mechanically seamed roof panels and similar profiles, such as traditional coping lock, etc.

This tool closes the seam working in both directions (single lock only) and features a clever system of eccentric levers and disc springs to adjust the pressure of the forming dies if necessary to produce clean and precise results regardless of the material used.

The Lock'n'Roller can be removed from the work material anytime simply by relieving the pressure and will not scratch the material.

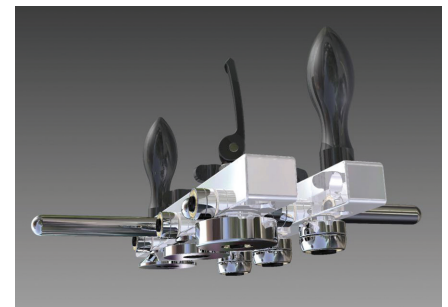
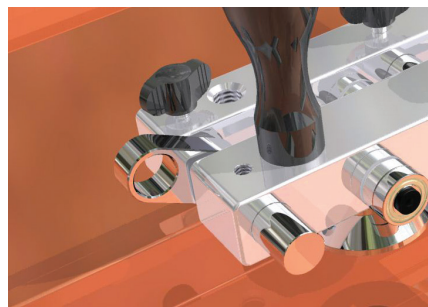
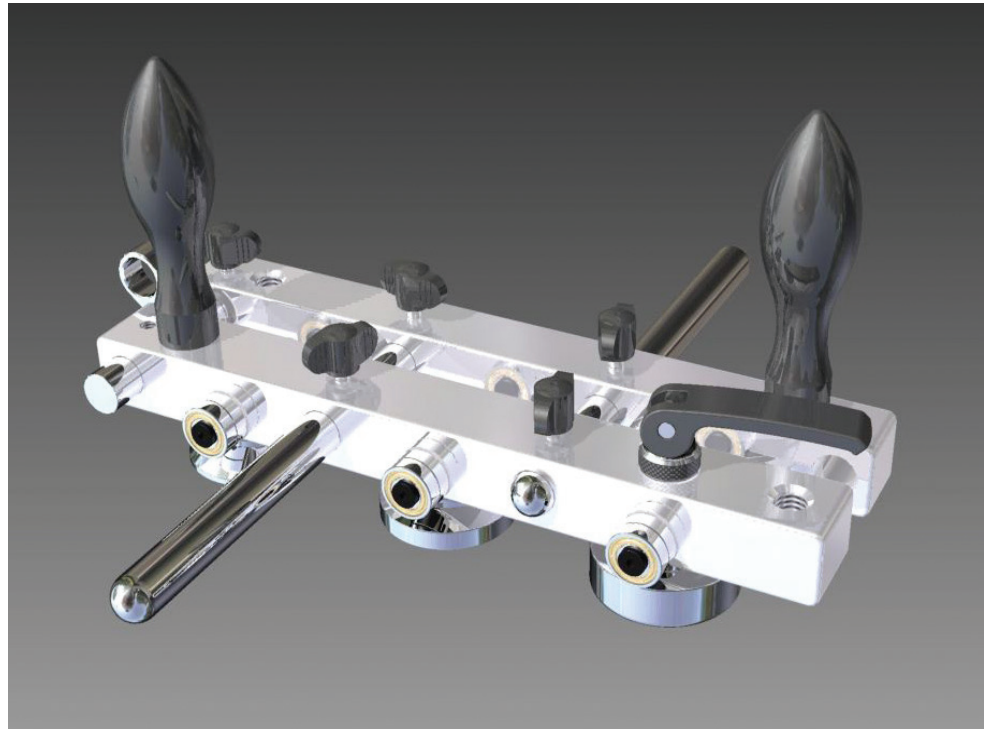
The tool features ergonomically placed hand-holds above and on both sides of the tool, stainless forming dies (rollers) and a rope tying loop to keep your tool on the roof!

Comes in heavy duty plastic carrying case with instructions for use.



WUKO LOCK'n'ROLLER 1040		
W1040	WUKO Lock'n/Roller 1040	\$864.50

TECH DATA			
Maximum Sheet Metal Thickness	Galvanized Steel	Aluminum, Copper, Zinc	Stainless Steel
	.025" (0.65mm)	0.031" (0.80mm)	0.020" (0.50mm)
Tool Data	Width of Seam Range	Tool Length	Weight
	0.47" - 0.59" (12 - 15mm)	10.6" (270mm)	5 lbs (2.3kg)





WUKO CLIPPER 1020

The WUKO Clipper 1020 power shear makes quick work of slitting sheet metal in the shop or in the field.

The W1020 is capable of shearing galvanized steel up to 0.031" (22ga), aluminum, copper and zinc up to 0.039" and stainless steel to 0.024".

Pre-assembled, the W1020 features a 18 V cordless drill for power, which includes two (2) batteries and charger in a heavy duty carrying case.

**ADJUSTABLE GUIDE
NOT INCLUDED**

ADJUSTABLE GUIDE

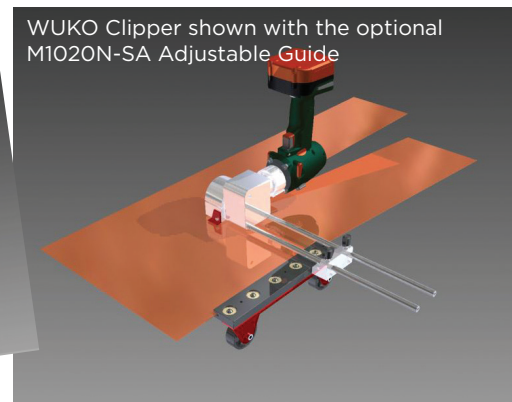
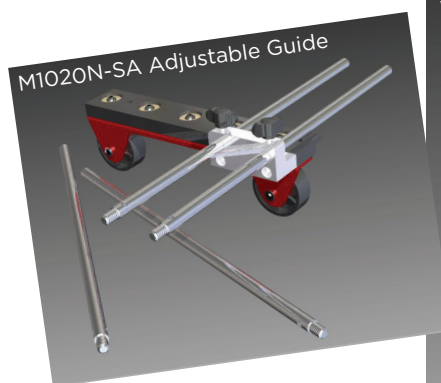
The WUKO M1020N-SA Adjustable Guide mounts easily to the W1020 Clipper and makes cutting long straight cuts easy. Infinitely adjustable up to 23.6" wide and disassembles to easily fit inside the W1020's carrying case.

**WUKO CLIPPER W1020-C2A
NOT INCLUDED**

WUKO CLIPPER 1020				
Part Number	Description	Price Each	Capacities	
			Galvanized Steel	.031 in
W1020C2E	Electric Drive WUKO Clipper	\$1296.00	Aluminum, Copper, Zinc	.039 in
W1020C2A	Cordless Drive WUKO Clipper	\$1424.00	Stainless Steel	.024 in



WUKO ADJUSTABLE GUIDE FOR WUKO CLIPPER			
Part Number	Description	Maximum Width	Price Each
M1020N-SA	Adjustable Guide	\$23.6" (625 mm)	\$127.50





Better ideas for the real world

ER3 3-STATION ROLLER

The MALCO Er3 3-Station edge roller quickly adjusts for making 5/8" to 4" (5.9–102mm) bends in 29–22ga steel.

The center roller station of the Er3 features a precision English/Metric depth gauge on one shaft leg that, when locked in place at the desired setting, accurately aligns the depth of all roller stations. Large adjustment knobs hold the depth setting securely.

The Er3 also adjusts for making mild-angled curved bends. The center station of the Er3 is independently adjustable, with the outer roller stations retracted and locked, to allow for bending on a curve.

MALCO ER3 3-STATION EDGE ROLLER

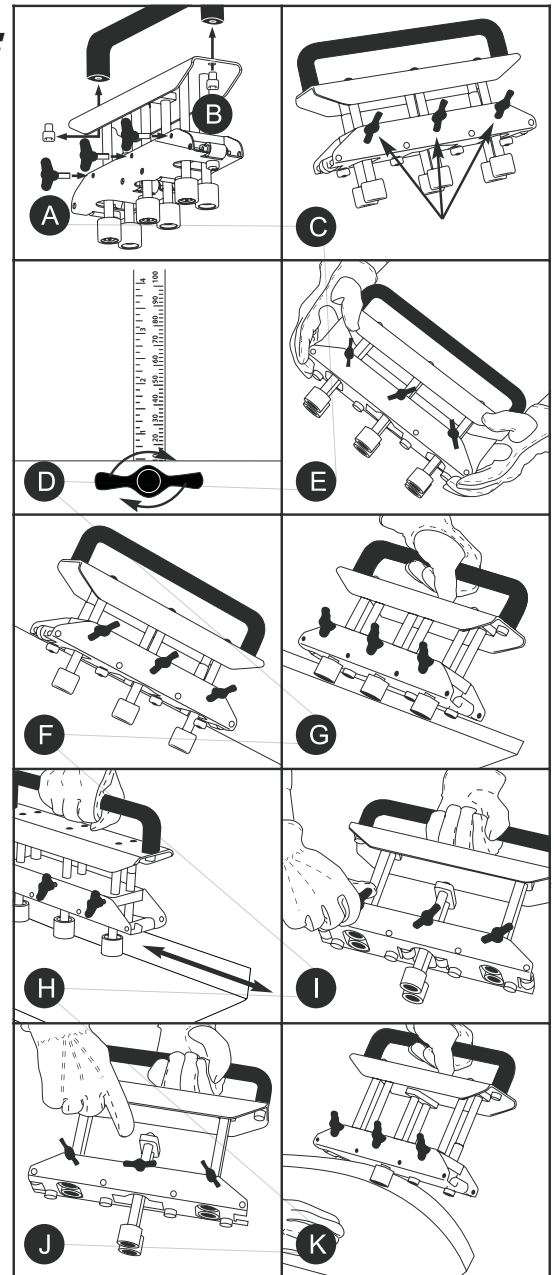
Part Number	Description	BEND HEIGHT		Capacity	Weight	Price Each
		Max.	Min.			
ER3	Malco 3-Station Edge Roller	4" 102mm	5/8" 15.9mm	0.030" 0.76mm	8.5 lbs. 3.86kg	\$436.00

ER3 INSTRUCTIONS: STRAIGHT BEND

1. Loosen all three adjustment knobs.
2. Slide center rollers into position so that gauge on shaft is set at desired bending depth (Fig D) and tighten center knob.
3. Slide entire assembly together so that all roller stations are seated into base of handle frame (Fig. E) and tighten outer knobs. All rollers will now be aligned.
4. Grasp tool by handle and slide onto edge of material. Make sure material is seated against bottom of tool assembly (Fig F)
5. Gradually apply bending pressure while rolling tool along edge of material (Fig. G)
6. Allow the outer set of rollers to slide off the bend as you reach the end of the material and then reverse direction (Fig H). This produce a more uniform bend.

CURVED BEND

1. Loosen all three adjustment knobs. (Fig. C)
2. Slider outer rollers back until they retract into the lower (adjustment knob) frame and then tighten outer knobs (Fig. I).
3. Slide center rollers to desired depth and tighten outer knobs (Fig. J).
4. See steps 4 and 5 above for bending technique (Fig. F & K).



AMSI METAL ROOFING | AMSI SUPPLY

AMSI manufactures a variety of metal roofing & siding products providing an ideal architectural solution for almost any type of structure. Blending function, aesthetics and strength, our products are available in most locations in the continental United States at an affordable price. We also offer a line of **Miami-Dade County Approved** and FBC (Florida Building Code) approved roof panels for sale in Florida. Please call us for more information on available products.

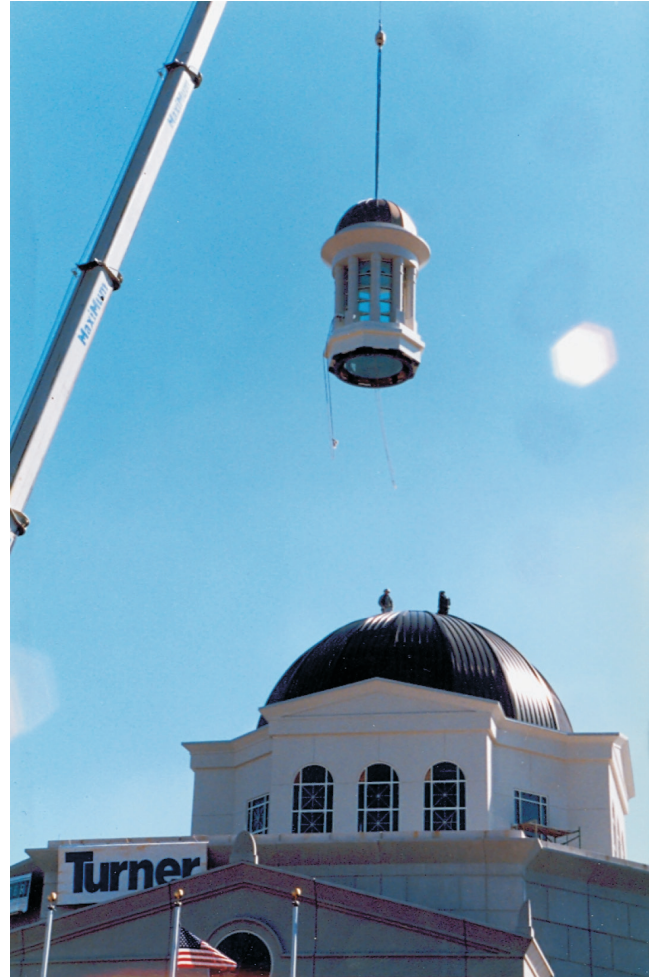
From our Douglasville, Georgia facility, the same factory where we manufacture our high quality standing seam panel clips, AMSI can provide panels and systems to meet just about any project requirement, from low to steep slope, mansard, and curved to retrofit applications.

Because no one size fits all, AMSI can assist in the construction process from design to completion, providing everything from technical support to shop drawings and renderings.

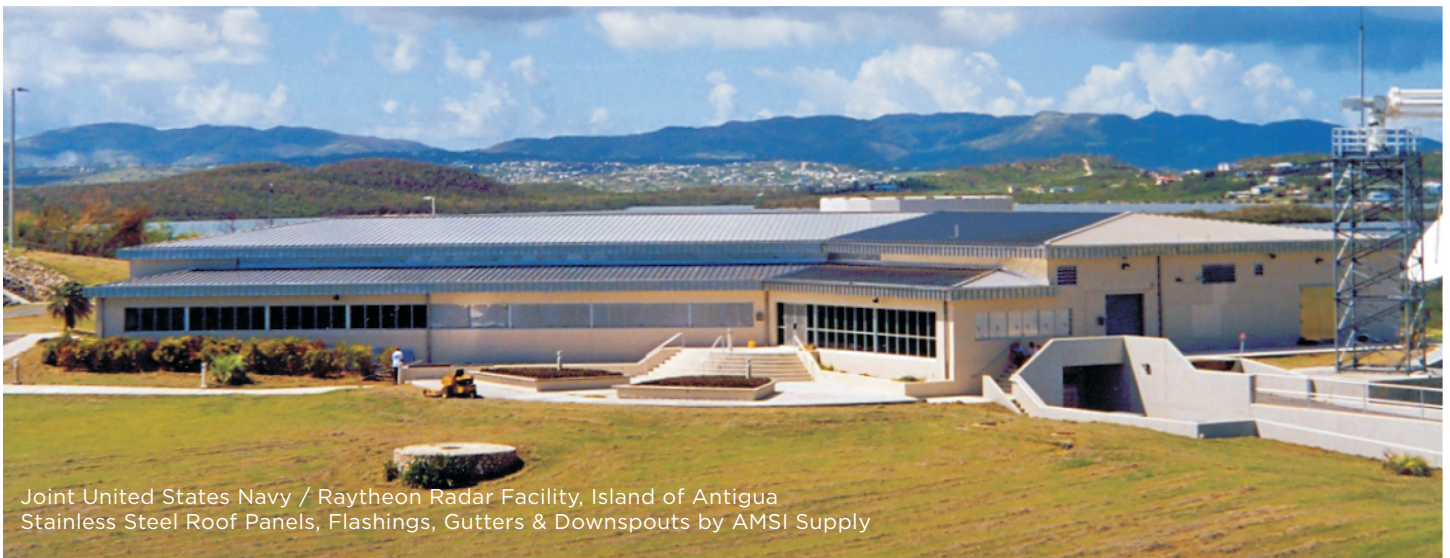
AMSI can also provide the most complete turn-key roof package available, because we manufacture virtually everything under one roof. Because we are involved directly in the specification and import of many of the other products we supply, we can insure strict control of all components.

For more information about AMSI metal roofing systems, call us at 770-920-1931 or: **800-943-9771**.

Whether your project requires low or steep slope, mansard, curved retrofit or equipment screens, AMSI metal roof systems are suitable



Douglas County Courthouse, Douglasville, Georgia. Roof Panels by AMSI Supply



Joint United States Navy / Raytheon Radar Facility, Island of Antigua
Stainless Steel Roof Panels, Flashings, Gutters & Downspouts by AMSI Supply

Let us help you with your custom curved roof/trim project!

Curved and tapered metal roofing applications are becoming more and more common as architects, designers and building owners discover the beauty of a metal roof. Quite simply, nothing looks better on a dome or barrel vault than a standing seam roof!

Whether your project calls for a barrel dormer, tapered panels or a dome, AMSI can provide a quality materials package that fits the bill.

Depending on the type of panel required and the specific application requirements, we can provide roof panels in snaplock (tapered only), batten seam and 1-1/2" mechanical lock.



A typical barrel dormer on a private residence in the Atlanta area using our 1-1/2" mechanical seam US150 roof panel in 24ga galvalume steel. Note curved flashings.

We utilize CAD design software to perform layout tasks and print full size templates for our fabrication shop.

Tapered panels are fabricated on our Jorns CNC folder and are available in lengths up to 20'6". Minimum and maximum widths at top and bottom are dependent on the panel profile chosen. Typical profiles are 1-3/4" snaplock, 1-1/2" and 2" mechanical seam and 1" and 1-1/2" batten seam.

Curved panels for barrel vaults are available in virtually any length; the limitations being the ability to transport to the jobsite and post-fabrication handling.

Dependent on the location of the project, we may be able to curve the roof panels on site. we curve 1-1/2" mechanical and 1" batten seam panels and caps.



This dome project at a private residence in Atlanta, GA is fabricated from 24ga galvalume steel, standard paint color and using our 1" batten seam panels and caps.

Domes are quite complex and require that each roof panel be hand-crafted. We can craft a panel to fit virtually any dome, subject to shipping limitations. All dome panels must be crafted in-house. At this time, the only dome panels we offer are 1" batten seam.

We also offer curved rake edge and roof-wall trims.

For more information or to request a quote, please call estimating at:

1-800-943-9771



A barrel vault canopy for a restaurant in Florida. The roof panels are 24ga galvalume steel, using our 1" batten seam roof panels and caps. Our customer supplied his aluminum frame for this project. Note the seam caps at the hip.

CURVED FLASHING



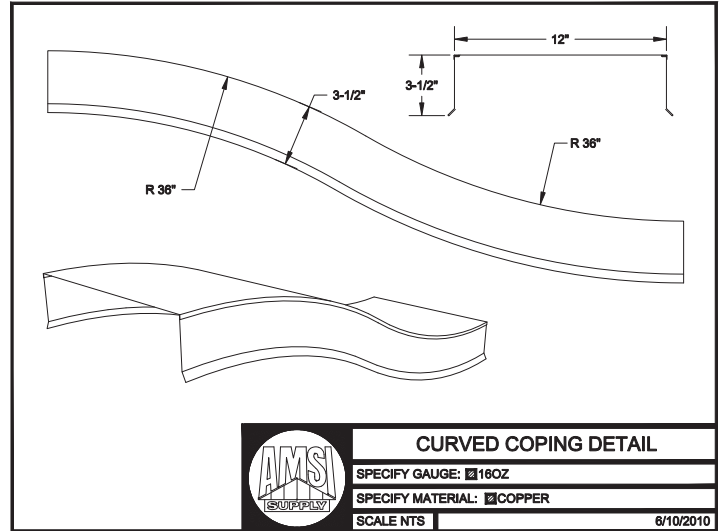
AMSI can custom manufacture curved copings and other flashing to create beautiful architectural accents for just about any project.

One of the advantages of our fabrication method is that pre-painted materials can be utilized, ensuring a perfect match to your metal roof system and other project flashing. Because materials from a single source coil coater, panel supplier are used, you receive a single source supplier warranty with no reduction in the warranty term usually seen with post-painted fabricated flashings.

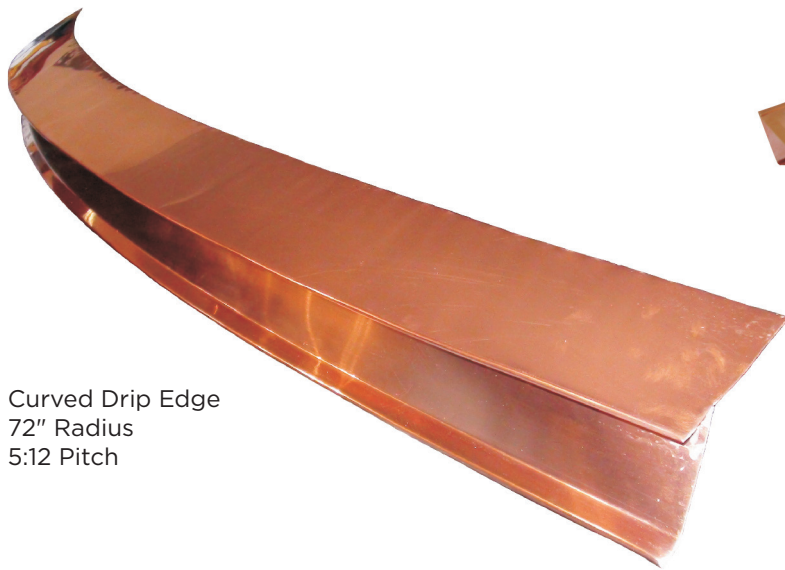
We can manufacture curved flashing and coping in a variety of materials, including copper, zinc, pre-painted and unpainted galvalume and galvanized, pre-painted and un-painted aluminum.

Minimum radii on materials vary, however we can form 16oz copper to a minimum of 36" radius, .032" aluminum to a 36" minimum radius, and 24ga steel products to a 72" minimum radius.

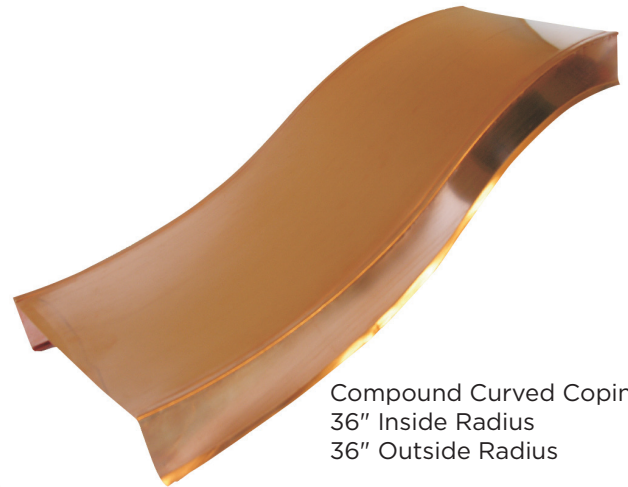
For more information and design assistance, please call us at 770-920-1931 or 800-943-9771 .



FROM CONCEPT TO REALITY

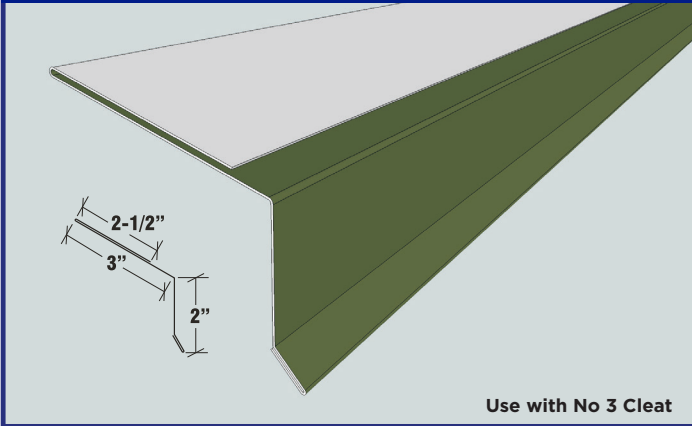


Curved Drip Edge
72" Radius
5:12 Pitch

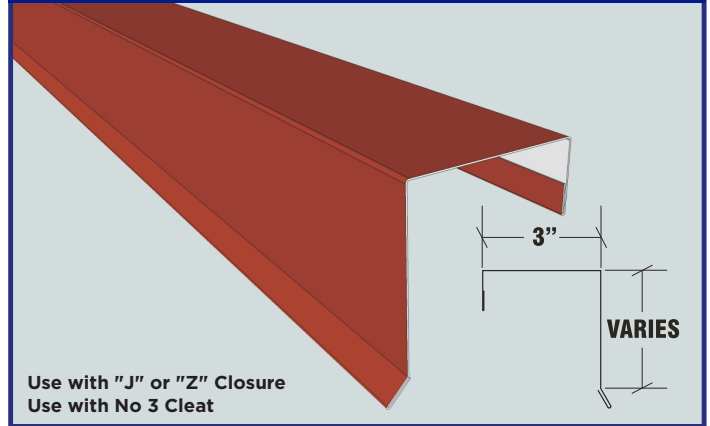


Compound Curved Coping
36" Inside Radius
36" Outside Radius

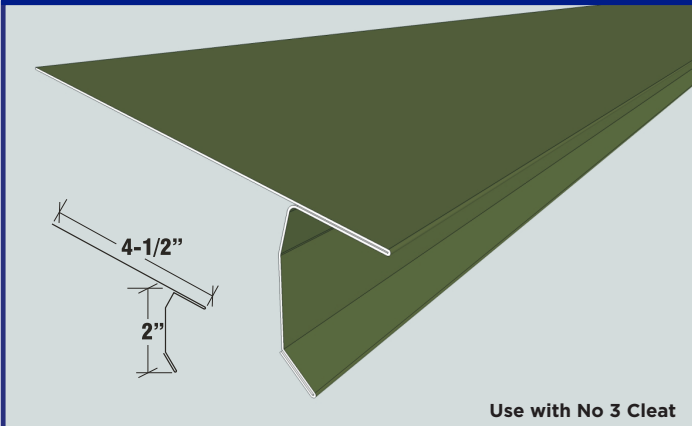
No 1 EAVE TRIM



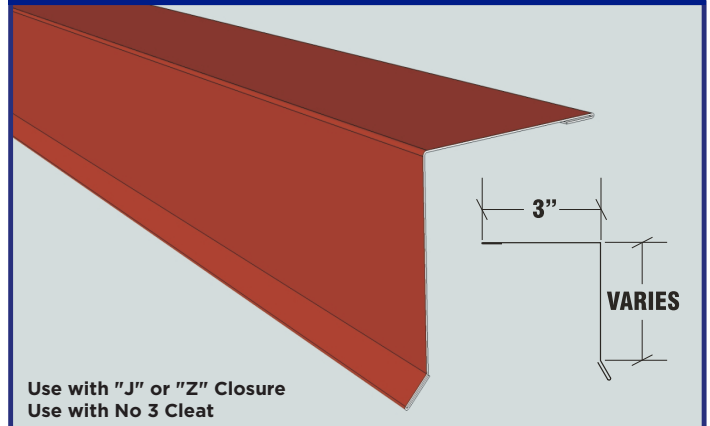
No 1 GABLE TRIM



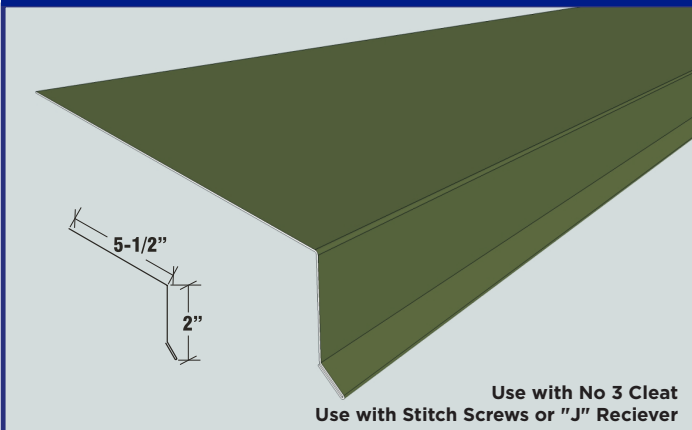
No 2 EAVE TRIM



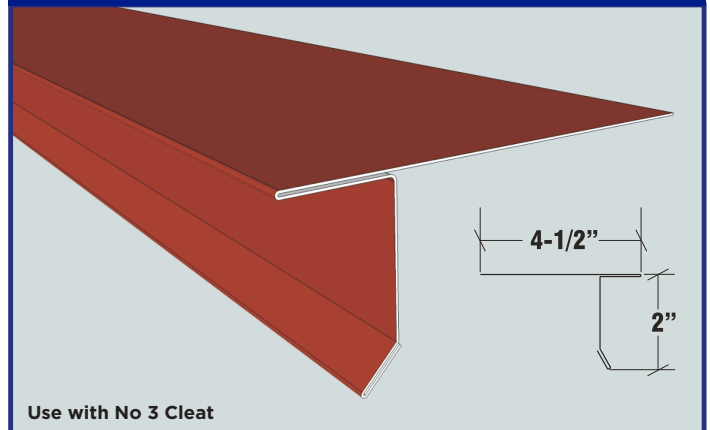
No 2 GABLE TRIM



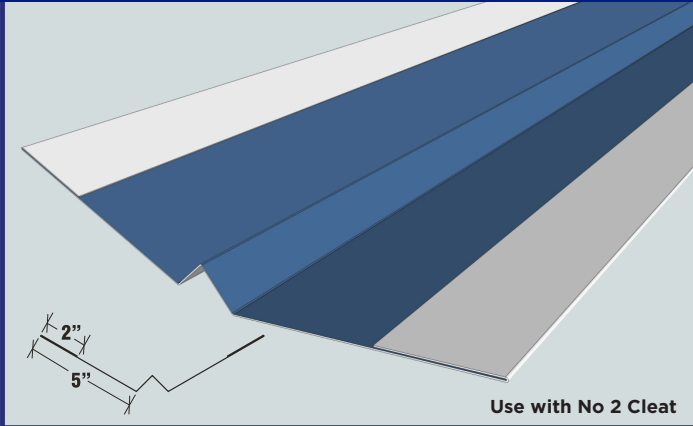
No 3 EAVE TRIM



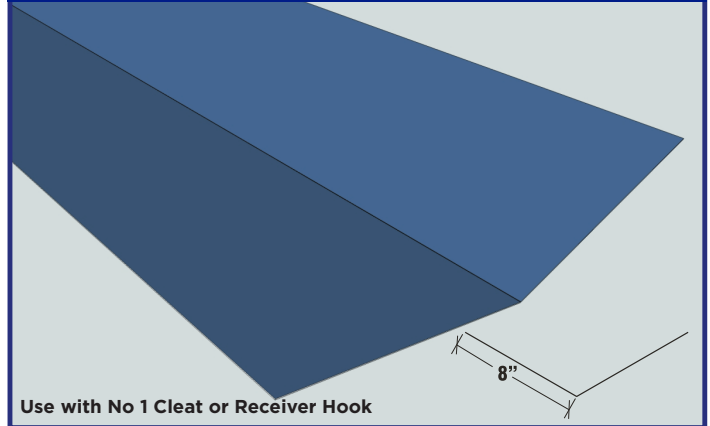
No 3 GABLE TRIM



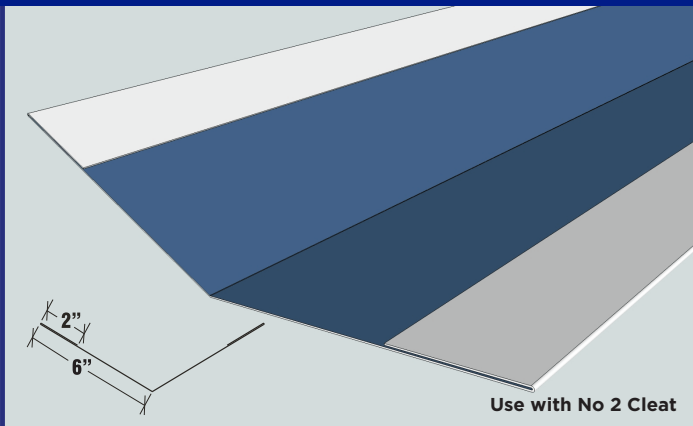
No 1 VALLEY FLASHING



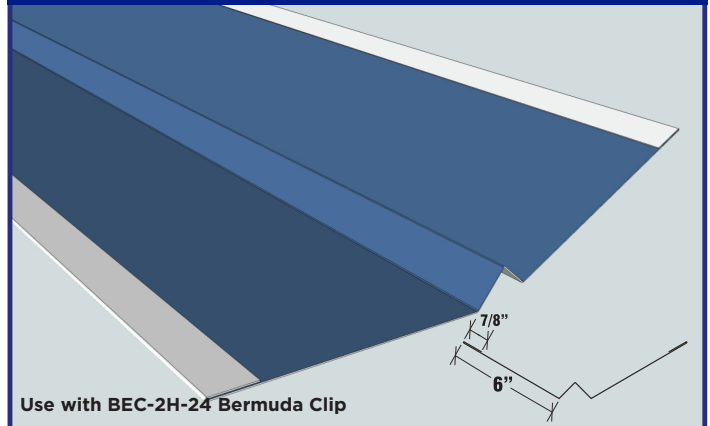
No 4 VALLEY FLASHING



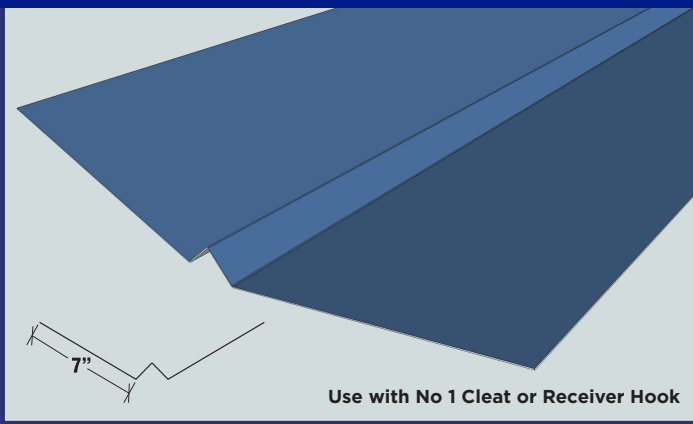
No 2 VALLEY FLASHING



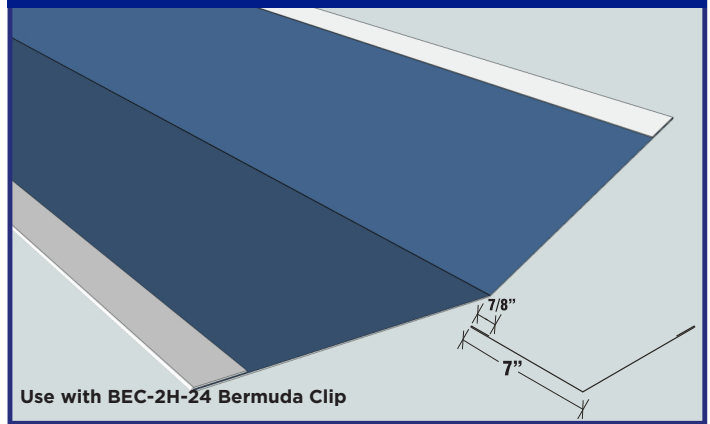
No 5 VALLEY FLASHING



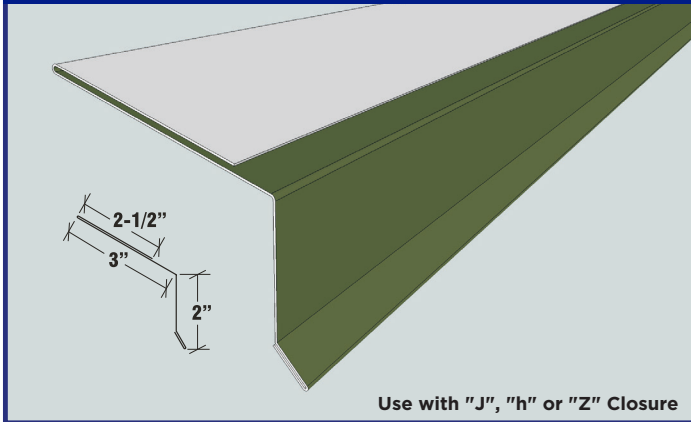
No 3 VALLEY FLASHING



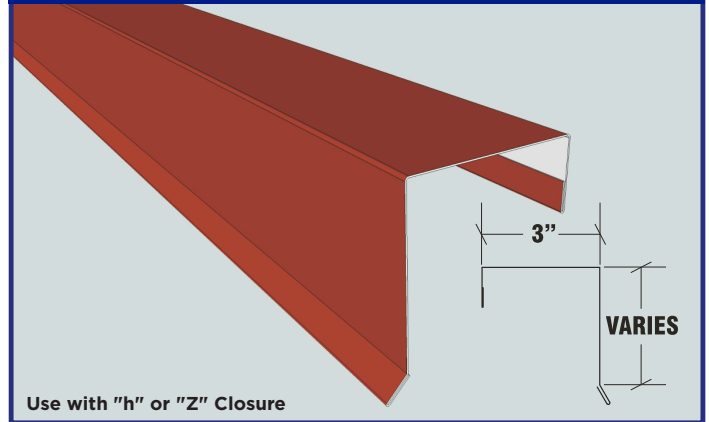
No 6 VALLEY FLASHING



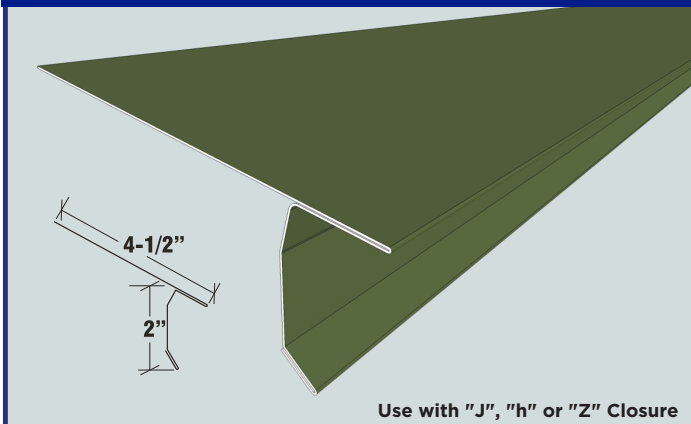
No 1 RIDGE CAP



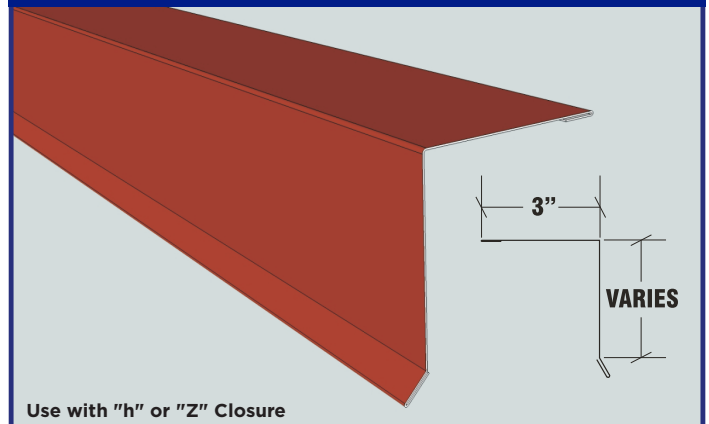
No 1 HEADWALL



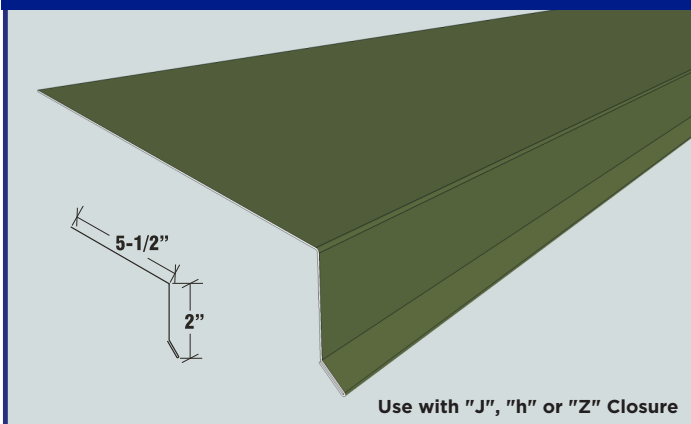
No 2 RIDGE CAP



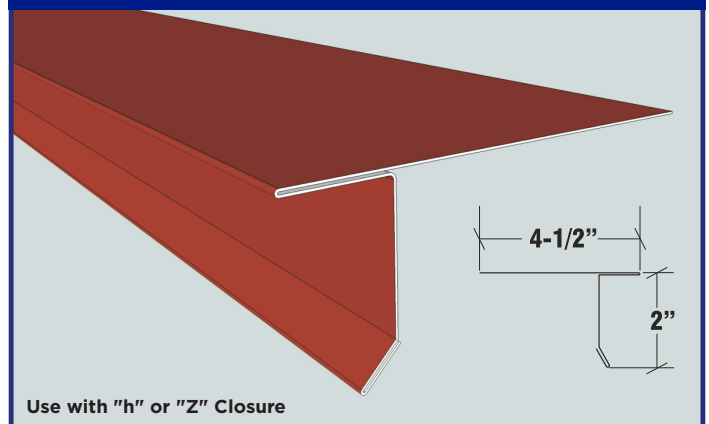
No 2 HEADWALL



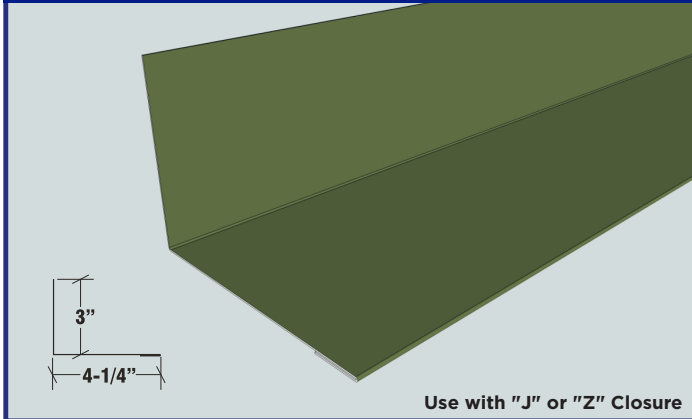
No 3 RIDGE CAP



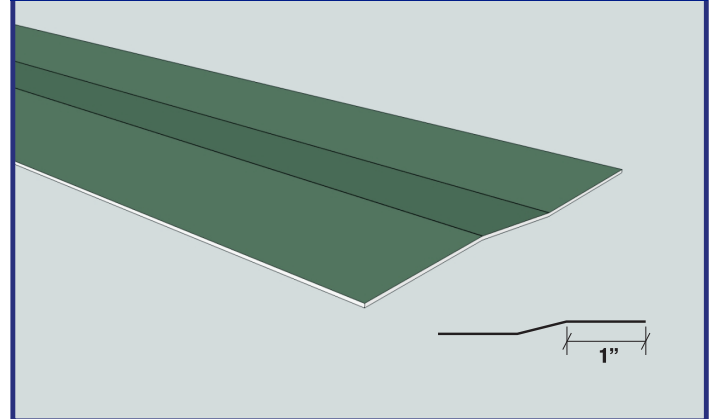
No 3 HEADWALL



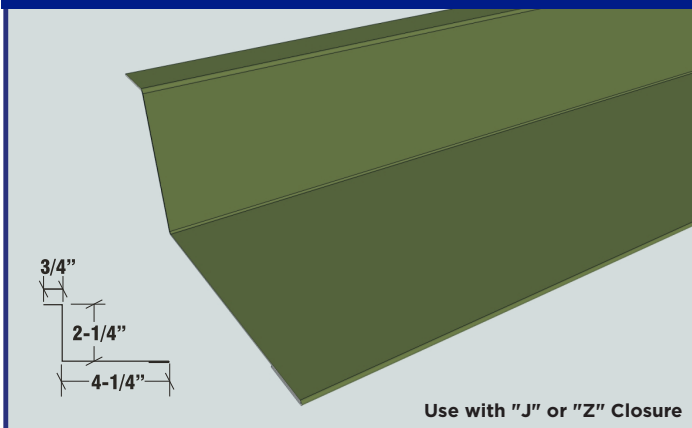
No 1 ENDWALL



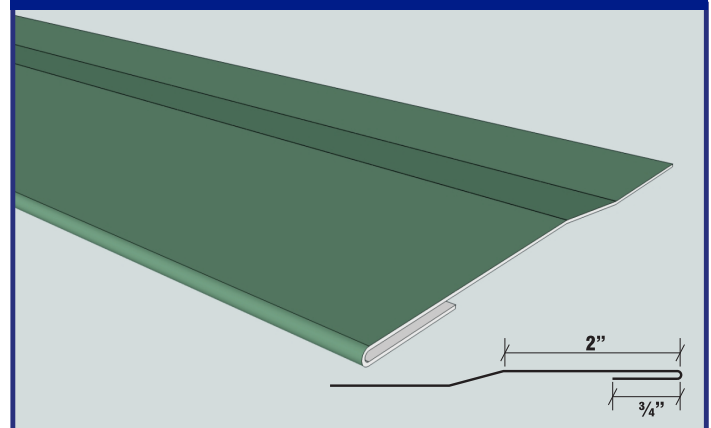
No 1 CLEAT



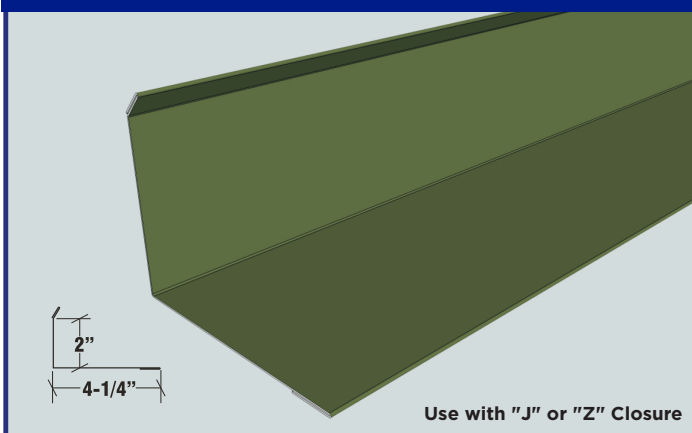
No 2 ENDWALL



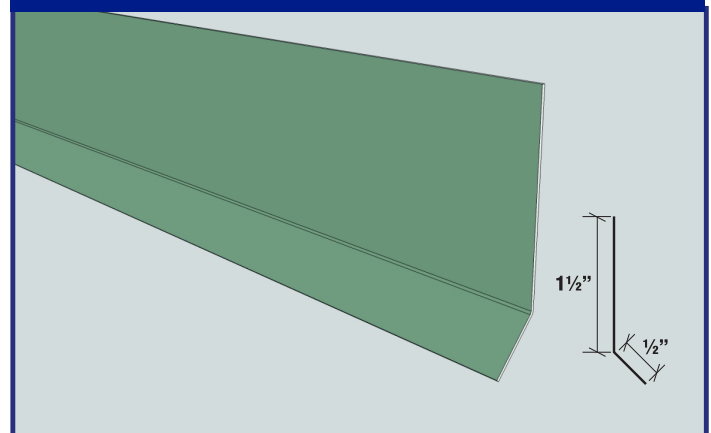
No 2 CLEAT



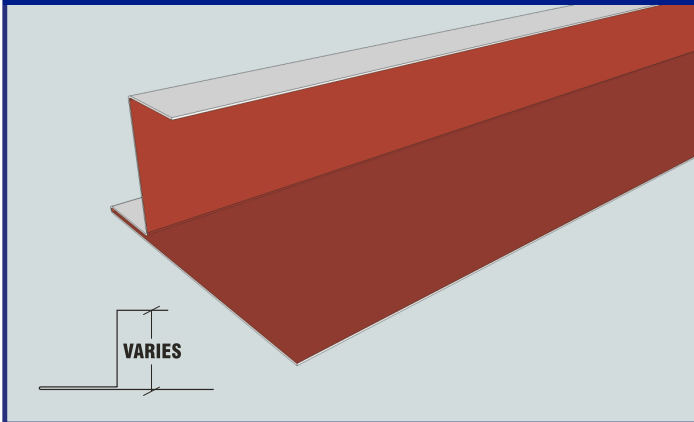
No 3 ENDWALL



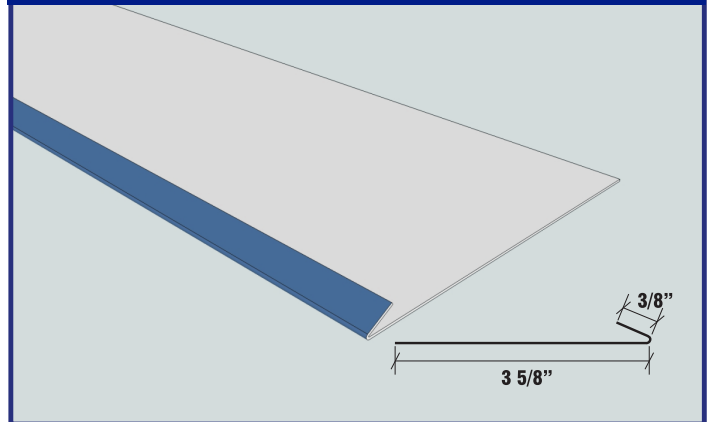
No 3 CLEAT



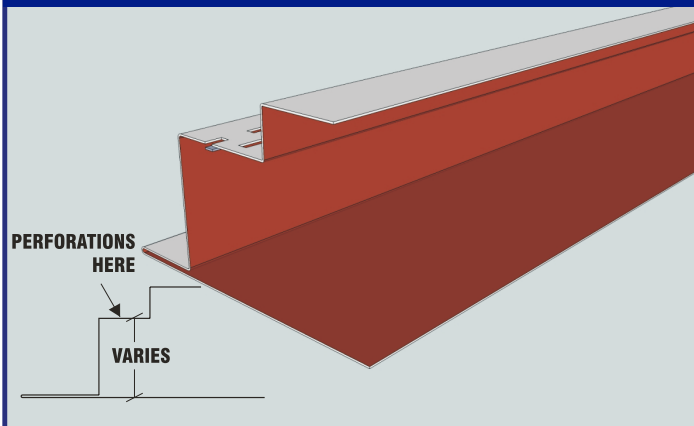
"h" CLOSURE



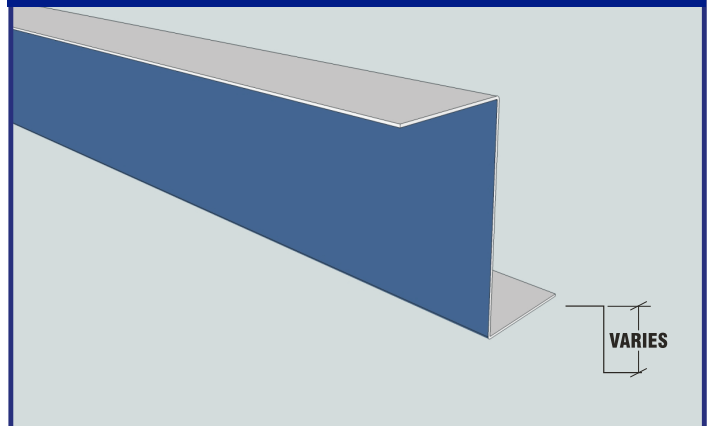
RECEIVER HOOK



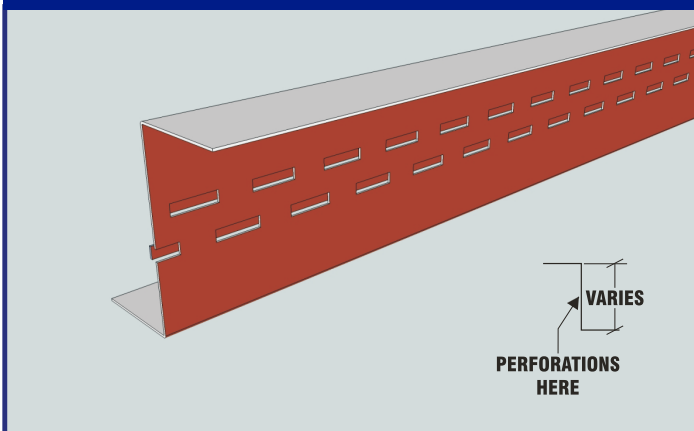
VENTED "h" CLOSURE



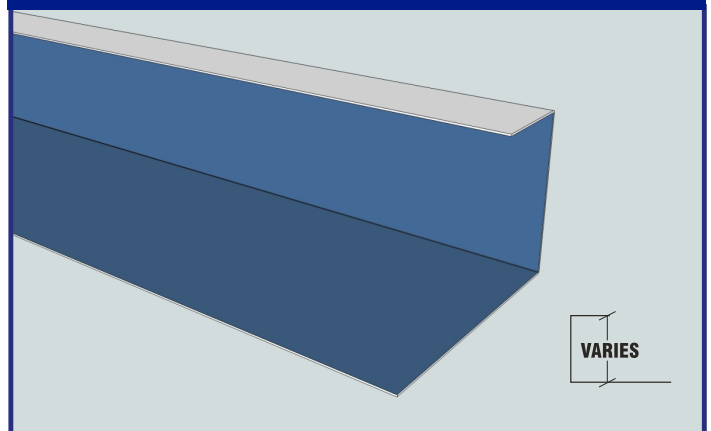
"Z" CLOSURE



VENTED "Z" CLOSURE



"J" CLOSURE



CONDUCTOR HEADS

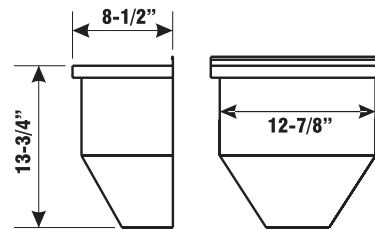


STYLE "A"

Please specify downspout size when ordering. Custom Orders: Any width, height or downspout size available. For Inside or Outside Corners, please call for price quote.

STYLE "A" CONDUCTOR HEADS

Part Number	Description	Price Each
CONDAAU	Std. Style "A" Conductor Head, .032" Alum., Std Color	CALL
CONDAGA	Std. Style "A" Conductor Head, 24ga Galv., Std Color	CALL
CONDACU	Std. Style "A" Conductor Head, 16oz Copper	CALL

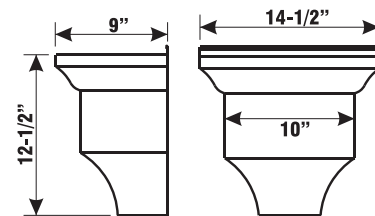


STYLE "B"

Please specify downspout size when ordering. Custom Orders: Any width, height or downspout size available. For Inside or Outside Corners, please call for price quote.

STYLE "B" CONDUCTOR HEADS

Part Number	Description	Price Each
CONDBAU	Std. Style "B" Conductor Head, .032" Alum., Std Color	CALL
CONDBCU	Std. Style "B" Conductor Head, 16oz Copper	CALL

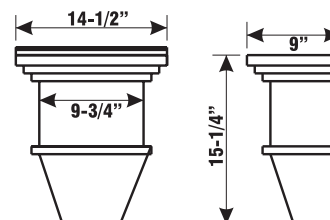


STYLE "C"

Please specify downspout size when ordering. Custom Orders: Any width, height or downspout size available. For Inside or Outside Corners, please call for price quote.

STYLE "C" CONDUCTOR HEADS

Part Number	Description	Price Each
CONDCAU	Std. Style "C" Conductor Head, .032" Alum., Std Color	CALL
CONDCGA	Std. Style "C" Conductor Head, 24ga Galv., Std Color	CALL
CONDCCU	Std. Style "C" Conductor Head, 16oz Copper	CALL



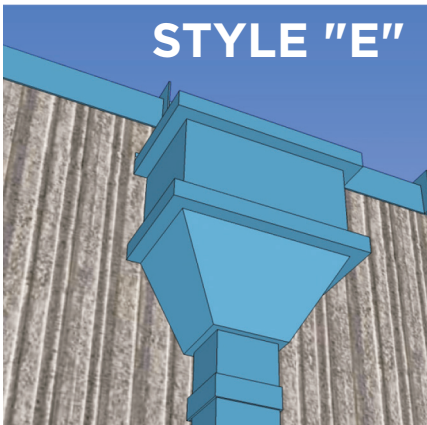
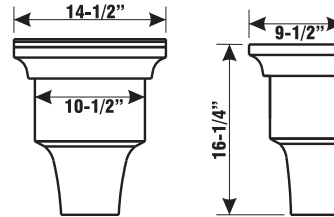


STYLE "D"

Please specify downspout size when ordering. Custom Orders: Any width, height or downspout size available. For Inside or Outside Corners, please call for price quote.

STYLE "D" CONDUCTOR HEADS

Part Number	Description	Price Each
CONDDAU	Std. Style "D" Conductor Head, .032" Alum., Std Color	CALL
CONDDCU	Std. Style "D" Conductor Head, 16oz Copper	CALL

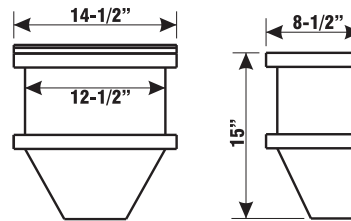


STYLE "E"

Please specify downspout size when ordering. Custom Orders: Any width, height or downspout size available. For Inside or Outside Corners, please call for price quote.

STYLE "E" CONDUCTOR HEADS

Part Number	Description	Price Each
CONDEAU	Std. Style "E" Conductor Head, .032" Alum., Std Color	CALL
CONDEGA	Std. Style "E" Conductor Head, 24ga Galv., Std Color	CALL
CONDECU	Std. Style "E" Conductor Head, 16oz Copper	CALL



1-15/16" SNAPLOCK CLIP UL CLASSIFIED

This clip fits Ultraseam US175, Newtech 675, Centria SDP 175, Knudson KR-20, Englert 2000 and more



1-15/16" SNAPLOCK CLIP UL CLASSIFIED

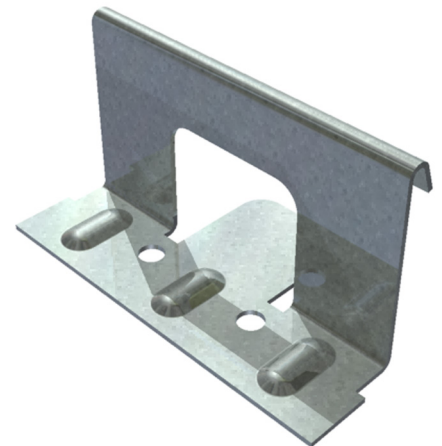
Part Number	Description	Box Qty	Price Each
178-SLU-18-G	Snaplock Clip, 18 Gauge Galvanized	250	\$0.24
178-SLU-18-S	Snaplock Clip, 18 Gauge 304 Stainless	250	\$0.65

1-15/16" SNAPLOCK CLIP FLAT TONGUE

This clip offers additional clearance for taller snaplock profiles.

1-15/16" SNAPLOCK CLIP FLAT TONGUE

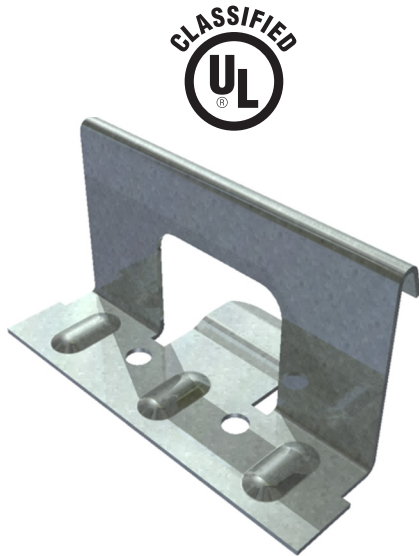
Part Number	Description	Box Qty	Price Each
178-SLU-18-G-FT	Snaplock Clip, 18 Gauge Galvanized Flat Tongue	250	\$0.24
178-SLU-18-S-FT	Snaplock Clip, 18 Gauge 304 Stainless Flat Tongue	250	\$0.65



All clip pictures are artistic renderings of actual parts. Actual appearance may vary. Physical samples available upon request.

1-7/8" SNAPLOCK CLIP UL CLASSIFIED

This clip fits Snap-Clad, Thin-Seam and others.



1-7/8" SNAPLOCK CLIP UL CLASSIFIED

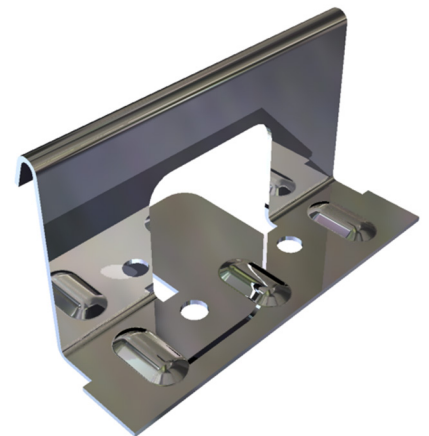
Part Number	Description	Box Qty	Price Each
178-SLUP-18-G	Snaplock Clip, 18 Gauge Galvanized	250	\$0.24
178-SLUP-18-S	Snaplock Clip, 18 Gauge 304 Stainless	250	\$0.65

1-7/8" SNAPLOCK CLIP FLAT TONGUE

This clip offers additional clearance for taller snaplock profiles.

1-7/8" SNAPLOCK CLIP FLAT TONGUE

Part Number	Description	Box Qty	Price Each
178-SLUP-18-G-FT	Snaplock Clip, 18 Gauge Galvanized Flat Tongue	250	\$0.24
178-SLUP-18-S-FT	Snaplock Clip, 18 Gauge 304 Stainless Flat Tongue	250	\$0.65



All clip pictures are artistic renderings of actual parts. Actual appearance may vary. Physical samples available upon request.

1-3/4" SNAPLOCK CLIP
UL CLASSIFIED
FITS ZIMMERMAN SL1750



1-3/4" SNAPLOCK CLIP UL CLASSIFIED

Part Number	Description	Box Qty	Price Each
175-SLUZ-18-G	Snaplock Clip, 18 Gauge Galvanized	250	\$0.24
175-SLUZ-18-S	Snaplock Clip, 18 Gauge 304 Stainless	250	\$0.65

1-1/2" SNAPLOCK CLIP
FITS REDI-ROOF PANELS
& OTHERS

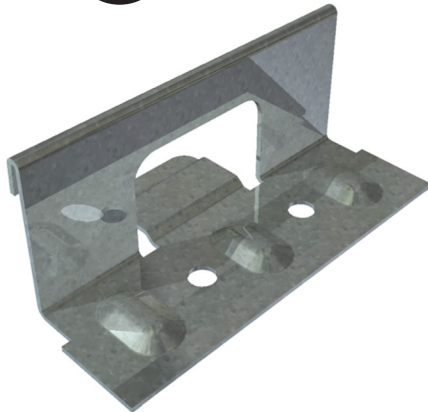
1-1/2" SNAPLOCK CLIP

Part Number	Description	Box Qty	Price Each
150-RR-24-G	Snaplock Clip, 24 Gauge Galvanized	1000	\$0.15
150-RR-24-S	Snaplock Clip, 24 Gauge 304 Stainless	1000	\$0.28



All clip pictures are artistic renderings of actual parts. Actual appearance may vary. Physical samples available upon request.

**1-1/2" SNAPLOCK CLIP UL CLASSIFIED
FITS QUADRO-PRO**



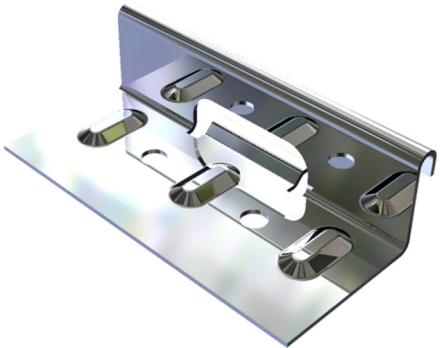
1-1/2" SNAPLOCK CLIP UL CLASSIFIED

Part Number	Description	Box Qty	Price Each
150-SLU-18-G	Snaplock Clip, 18 Gauge Galvanized	250	\$0.24
150-SLU-18-S	Snaplock Clip, 18 Gauge 304 Stainless	250	\$0.65

**1" SNAPLOCK CLIP
FITS QUADRO-PRO**

1" SNAPLOCK CLIP

Part Number	Description	Box Qty	Price Each
100-SLRU-18-G	Snaplock Clip, 18 Gauge Galvanized	250	\$0.24
100-SLRU-18-S	Snaplock Clip, 18 Gauge 304 Stainless	250	\$0.65



All clip pictures are artistic renderings of actual parts. Actual appearance may vary. Physical samples available upon request.

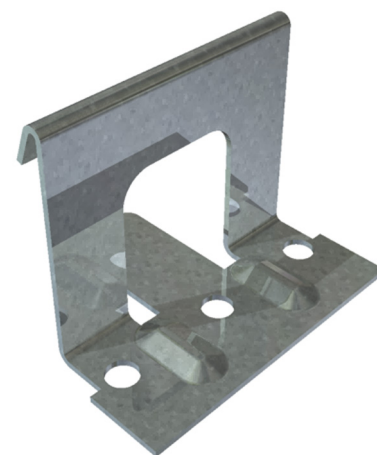
1-15/16" SNAPLOCK CLIP ECONOMY DESIGN OFFSET TONGUE



1-15/16 SNAPLOCK CLIP			
Part Number	Description	Box Qty	Price Each
178-SL-18-G	Snaplock Clip, 18 Gauge Galvanized	400	\$0.15
178-SL-18-S	Snaplock Clip, 18 Gauge 304 Stainless	400	\$0.46

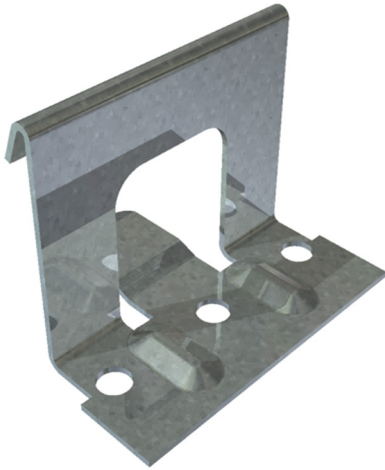
1-15/16" SNAPLOCK CLIP ECONOMY DESIGN FLAT TONGUE

1-15/16 SNAPLOCK CLIP FLAT TONGUE			
Part Number	Description	Box Qty	Price Each
178-SL-18-G-FT	Snaplock Clip, 18 Gauge Galvanized Flat Tongue	400	\$0.15
178-SL-18-S-FT	Snaplock Clip, 18 Gauge 304 Stainless Flat Tongue	400	\$0.46



All clip pictures are artistic renderings of actual parts. Actual appearance may vary. Physical samples available upon request.

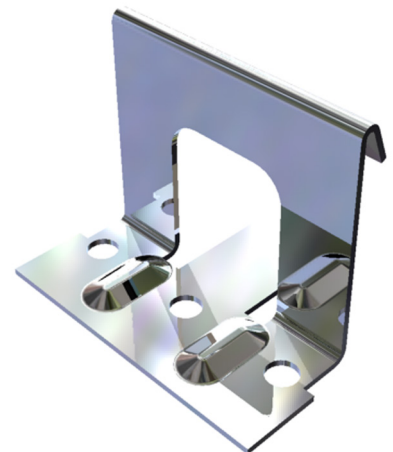
1-7/8" SNAPLOCK CLIP ECONOMY DESIGN OFFSET TONGUE



1-7/8" SNAPLOCK CLIP			
Part Number	Description	Box Qty	Price Each
178-SLP-18-G	Snaplock Clip, 18 Gauge Galvanized	400	\$0.15
178-SLP-18-S	Snaplock Clip, 18 Gauge 304 Stainless	400	\$0.46

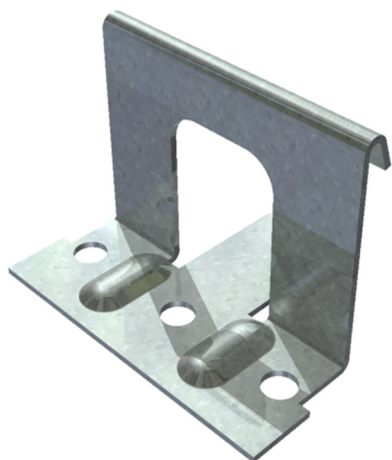
1-7/8" SNAPLOCK CLIP ECONOMY DESIGN FLAT TONGUE

1-7/8" SNAPLOCK CLIP FLAT TONGUE			
Part Number	Description	Box Qty	Price Each
178-SLP-18-G-FT	Snaplock Clip, 18 Gauge Galvanized Flat Tongue	400	\$0.15
178-SLP-18-S-FT	Snaplock Clip, 18 Gauge 304 Stainless Flat Tongue	400	\$0.46



All clip pictures are artistic renderings of actual parts. Actual appearance may vary. Physical samples available upon request.

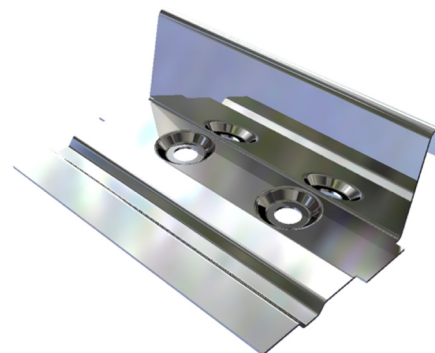
1-3/4" SNAPLOCK CLIP ECONOMY DESIGN OFFSET TONGUE



1-3/4" SNAPLOCK CLIP			
Part Number	Description	Box Qty	Price Each
175-SLZ-18-G	Snaplock Clip, 18 Gauge Galvanized	400	\$0.15
175-SLZ-18-S	Snaplock Clip, 18 Gauge 304 Stainless	400	\$0.46

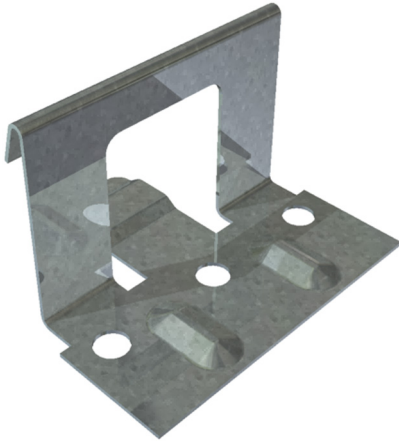
1" SNAPLOCK CLIP FITS ZIMMERMAN SL1000

1" SNAPLOCK CLIP			
Part Number	Description	Box Qty	Price Each
100-SLZ-24-G	Snaplock Clip, 24 Gauge Galvanized	500	\$0.14
100-SLZ-24-S	Snaplock Clip, 24 Gauge 304 Stainless	500	\$0.29
100-SLZ-24-90-G	Snaplock Clip, 24 Gauge Galvanized	500	\$0.14
100-SLZ-24-90-S	Snaplock Clip, 24 Gauge 304 Stainless	500	\$0.29



All clip pictures are artistic renderings of actual parts. Actual appearance may vary. Physical samples available upon request.

1-1/2" SNAPLOCK CLIP FITS QUADRO-PRO & OTHERS



1-1/2" SNAPLOCK CLIP - GALV

Part Number	Description	Box Qty	Price Each
150-SLR-24-G	Snaplock Clip, 24 Gauge Galvanized	400	\$0.135
150-SLR-22-G	Snaplock Clip, 22 Gauge Galvanized	400	\$0.14
150-SLR-20-G	Snaplock Clip, 20 Gauge Galvanized	400	\$0.15
150-SLR-18-G	Snaplock Clip, 18 Gauge Galvanized	400	\$0.165

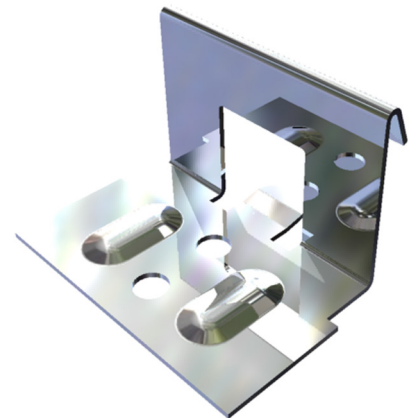
1-1/2" SNAPLOCK CLIP - 304 STAINLESS

Part Number	Description	Box Qty	Price Each
150-SLR-24-S	Snaplock Clip, 24 Gauge 304 Stainless	400	\$0.25
150-SLR-22-S	Snaplock Clip, 22 Gauge 304 Stainless	400	\$0.26
150-SLR-20-S	Snaplock Clip, 20 Gauge 304 Stainless	400	\$0.30

1-1/4" SNAPLOCK CLIP FITS QUADRO-PRO & OTHERS

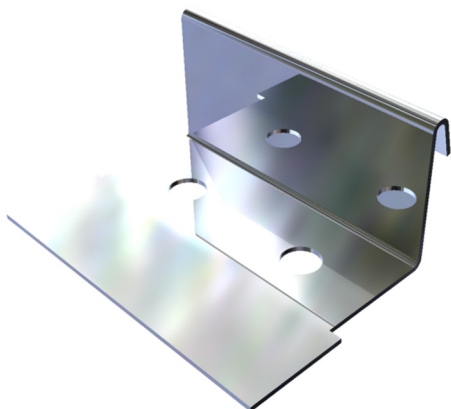
1-1/4" SNAPLOCK CLIP

Part Number	Description	Box Qty	Price Each
114-SLR-24-G	Snaplock Clip, 24 Gauge Galvanized	600	\$0.14
114-SLR-20-G	Snaplock Clip, 20 Gauge Galvanized	600	\$0.15
114-SLR-24-S	Snaplock Clip, 24 Gauge 304 Stainless	600	\$0.28
114-SLR-20-S	Snaplock Clip, 20 Gauge 304 Stainless	600	\$0.30



All clip pictures are artistic renderings of actual parts. Actual appearance may vary. Physical samples available upon request.

15/16" SNAPLOCK CLIP FITS QUADRO-PRO & OTHERS



15/16" SNAPLOCK CLIP - GALV

Part Number	Description	Box Qty	Price Each
1516-SLRF-24-G	Snaplock Clip, 24 Gauge Galvanized	1000	\$0.105
1516-SLRF-22-G	Snaplock Clip, 22 Gauge Galvanized	1000	\$0.115

15/16" SNAPLOCK CLIP - 304 STAINLESS

Part Number	Description	Box Qty	Price Each
1516-SLRF-24-S	Snaplock Clip, 24 Gauge 304 Stainless	1000	\$0.19
1516-SLRF-22-G	Snaplock Clip, 22 Gauge 304 Stainless	1000	\$0.20

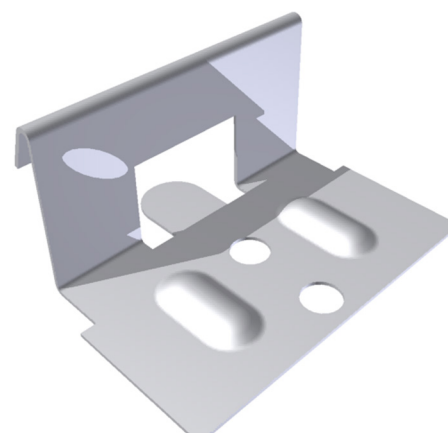
1" SNAPLOCK CLIP FITS QUADRO-PRO

1" SNAPLOCK CLIP - GALV

Part Number	Description	Box Qty	Price Each
100-SLQ-24-G	Snaplock Clip, 24 Gauge Galvanized	1000	\$0.115
100-SLQ-22-G	Snaplock Clip, 22 Gauge Galvanized	1000	\$0.14

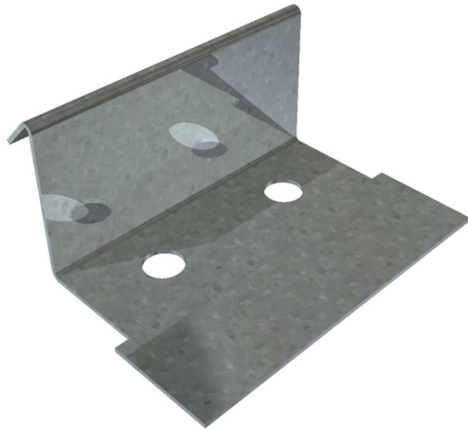
1" SNAPLOCK CLIP - 304 STAINLESS

Part Number	Description	Box Qty	Price Each
100-SLQ-24-S	Snaplock Clip, 24 Gauge 304 Stainless	1000	\$0.23
100-SLQ-22-S	Snaplock Clip, 22 Gauge 304 Stainless	1000	\$0.26



All clip pictures are artistic renderings of actual parts. Actual appearance may vary. Physical samples available upon request.

**1" SNAPLOCK CLIP
FITS ROLLFORMER
& OTHERS**



1" SNAPLOCK CLIP - GALV

Part Number	Description	Box Qty	Price Each
100-SLRF-24-G	Snaplock Clip, 24 Gauge Galvanized	1000	\$0.09
100-SLRF-22-G	Snaplock Clip, 22 Gauge Galvanized	1000	\$0.09

1" SNAPLOCK CLIP - 304 STAINLESS

Part Number	Description	Box Qty	Price Each
100-SLRF-24-S	Snaplock Clip, 24 Gauge Stainless	1000	\$0.21
100-SLRF-22-S	Snaplock Clip, 22 Gauge Stainless	1000	\$0.21

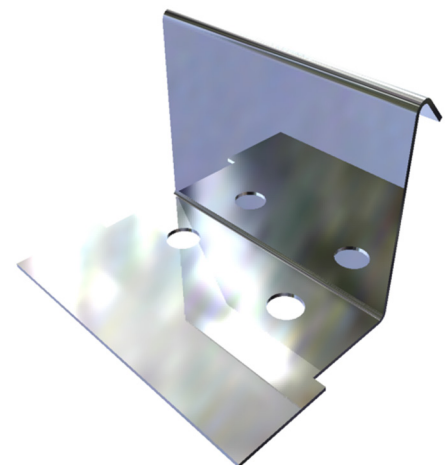
**1-1/2" SNAPLOCK CLIP
FITS ROLLFORMER
& OTHERS**

1-1/2" SNAPLOCK CLIP - GALV

Part Number	Description	Box Qty	Price Each
150-SLRF-22-G	Snaplock Clip, 22 Gauge Galvanized	1000	\$0.105

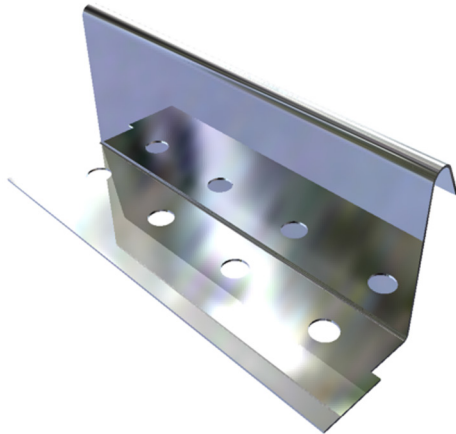
1-1/2" SNAPLOCK CLIP - 304 STAINLESS

Part Number	Description	Box Qty	Price Each
150-SLRF-22-S	Snaplock Clip, 22 Gauge Stainless	1000	\$0.26



All clip pictures are artistic renderings of actual parts. Actual appearance may vary. Physical samples available upon request.

1-9/16" SNAPLOCK CLIP FITS NEWTECH & OTHERS



1-9/16" SNAPLOCK CLIP - GALV

Part Number	Description	Box Qty	Price Each
1916-SLNT-24-G	Snaplock Clip, 24 Gauge Galvanized	400	\$0.13
1916-SLNT-22-G	Snaplock Clip, 22 Gauge Galvanized	400	\$0.165
1916-SLNT-20-G	Snaplock Clip, 20 Gauge Galvanized	400	\$0.21

1-9/16" SNAPLOCK CLIP 304 STAINLESS

Part Number	Description	Box Qty	Price Each
1916-SLNT-24-S	Snaplock Clip, 24 Gauge Stainless	400	\$0.13
1916-SLNT-22-G	Snaplock Clip, 22 Gauge Stainless	400	\$0.165
1916-SLNT-20-G	Snaplock Clip, 20 Gauge Stainless	400	\$0.21

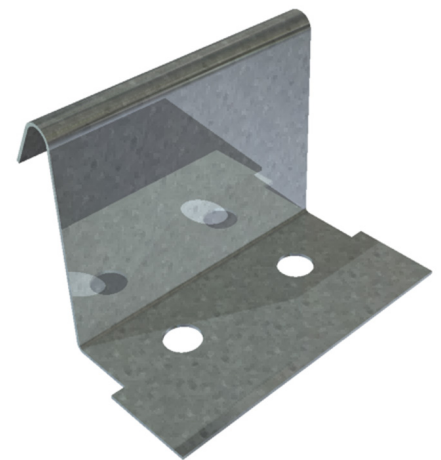
1-9/16" ECONOMY CLIP FITS NEWTECH & OTHERS

1-9/16" ECONOMY SNAPLOCK CLIP GALV

Part Number	Description	Box Qty	Price Each
1916-SLNT-24-G-2	Snaplock Clip, 24 Gauge Galvanized	1000	\$0.08

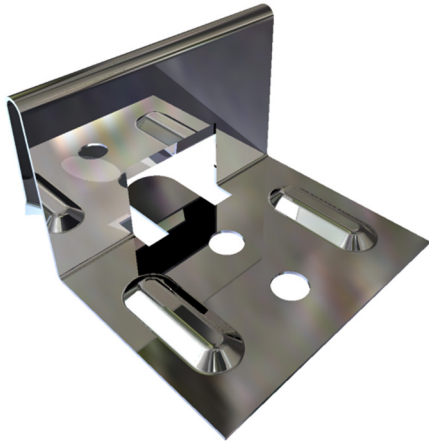
1-9/16" ECONOMY SNAPLOCK CLIP 304 STAINLESS

Part Number	Description	Box Qty	Price Each
1916-SLNT-24-S-2	Snaplock Clip, 24 Gauge Stainless	1000	\$0.22



All clip pictures are artistic renderings of actual parts. Actual appearance may vary. Physical samples available upon request.

**1-1/4" UTILITY SNAPLOCK CLIP
FLAT TONGUE
3/4" DOWNLEG**



**1-1/4" UTILITY SNAPLOCK CLIP
GALV FLAT TONGUE**

Part Number	Description	Box Qty	Price Each
114-SLU-24-G	Snaplock Clip, 24 Gauge Galvanized Flat Tongue	600	\$0.13

**1-1/4" UTILITY SNAPLOCK CLIP
304 STAINLESS FLAT TONGUE**

Part Number	Description	Box Qty	Price Each
114-SLU-24-S	Snaplock Clip, 24 Gauge Stainless Flat Tongue	600	\$0.25

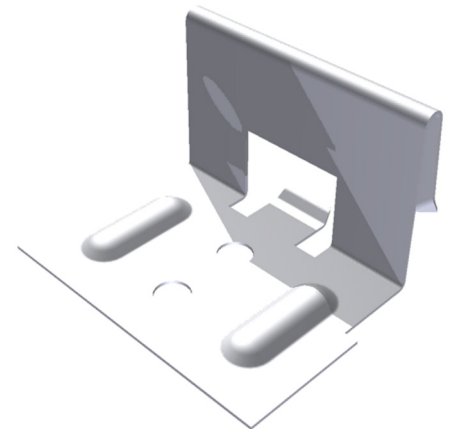
**1-1/4" UTILITY SNAPLOCK
OFFSET TONGUE
3/4" DOWNLEG**

**1-1/4" UTILITY SNAPLOCK CLIP
GALV OFFSET TONGUE**

Part Number	Description	Box Qty	Price Each
114-SLU-24-G-OT	Snaplock Clip, 24 Gauge Galvanized Offset Tongue	600	\$0.13

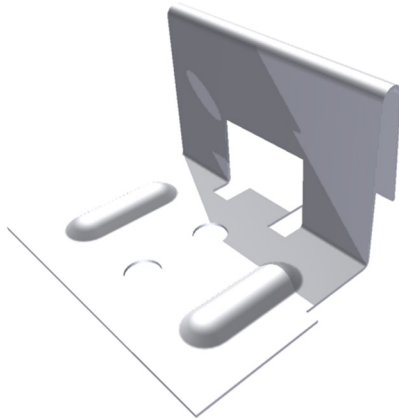
**1-1/4" UTILITY SNAPLOCK CLIP
304 STAINLESS OFFSET TONGUE**

Part Number	Description	Box Qty	Price Each
114-SLU-24-S-OT	Snaplock Clip, 24 Gauge Stainless Offset Tongue	600	\$0.25



All clip pictures are artistic renderings of actual parts. Actual appearance may vary. Physical samples available upon request.

**1-1/4" UTILITY SNAPLOCK
FLAT TONGUE
3/4" DOWNLEG
NO KICK-OUT**



**1-1/4" UTILITY SNAPLOCK CLIP
GALV FLAT TONGUE**

Part Number	Description	Box Qty	Price Each
114-SLU-24-G-NKO	Snaplock Clip, 24 Gauge Galvanized Flat Tongue	600	\$0.13

**1-1/4" UTILITY SNAPLOCK CLIP
304 STAINLESS FLAT TONGUE**

Part Number	Description	Box Qty	Price Each
114-SLU-24-S-NKO	Snaplock Clip, 24 Gauge Stainless Flat Tongue	600	\$0.25

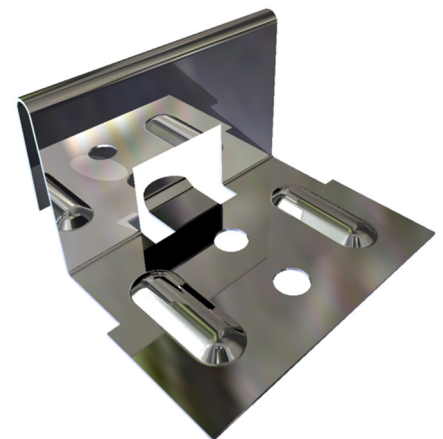
**1-1/4" UTILITY SNAPLOCK OFFSET TONGUE
3/4" DOWNLEG NO KICK-OUT**

**1-1/4" UTILITY SNAPLOCK CLIP
GALV OFFSET TONGUE**

Part Number	Description	Box Qty	Price Each
114-SLU-24-G-NKOT	Snaplock Clip, 24 Gauge Galv. Offset Tongue	600	\$0.13

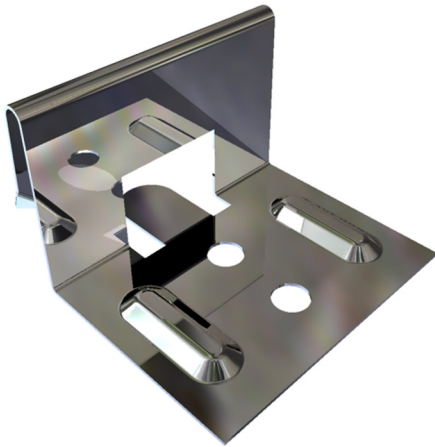
**1-1/4" UTILITY SNAPLOCK CLIP
304 STAINLESS FLAT TONGUE**

Part Number	Description	Box Qty	Price Each
114-SLU-24-S-NKOT	Snaplock Clip, 24 Gauge Stainless Offset Tongue	600	\$0.25



All clip pictures are artistic renderings of actual parts. Actual appearance may vary. Physical samples available upon request.

**1-1/4" UTILITY SNAPLOCK
FLAT TONGUE
7/8" DOWNLEG
DOGEARS**



**1-1/4" UTILITY SNAPLOCK CLIP
GALV FLAT TONGUE**

Part Number	Description	Box Qty	Price Each
114-SLU-24-G-78DL	Snaplock Clip, 24 Gauge Galvanized Flat Tongue	600	\$0.13

**1-1/4" UTILITY SNAPLOCK CLIP
304 STAINLESS FLAT TONGUE**

Part Number	Description	Box Qty	Price Each
114-SLU-24-S-78DL	Snaplock Clip, 24 Gauge Stainless Flat Tongue	600	\$0.25

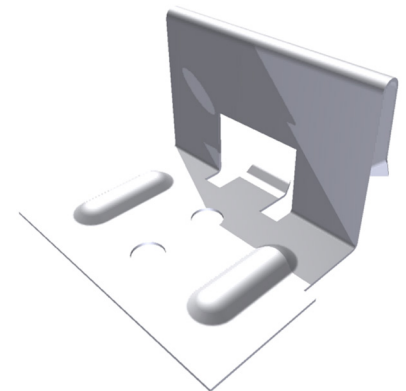
1-1/4" UTILITY SNAPLOCK OFFSET TONGUE 7/8" DOWNLEG DOGEARS

**1-1/4" UTILITY SNAPLOCK CLIP
GALV OFFSET TONGUE**

Part Number	Description	Box Qty	Price Each
114-SLU-24-G-78DLOT	Snaplock Clip, 24 Gauge Galv. Offset Tongue	600	\$0.13

**1-1/4" UTILITY SNAPLOCK CLIP
304 STAINLESS FLAT TONGUE**

Part Number	Description	Box Qty	Price Each
114-SLU-24-S-78DLOT	Snaplock Clip, 24 Gauge Stainless Offset Tongue	600	\$0.25



All clip pictures are artistic renderings of actual parts. Actual appearance may vary. Physical samples available upon request.

**1-1/4" UTILITY SNAPLOCK
FLAT TONGUE
1" DOWNLEG
DOGEARS**



**1-1/4" UTILITY SNAPLOCK CLIP
GALV FLAT TONGUE**

Part Number	Description	Box Qty	Price Each
114-SLU-24-G-1DL	Snaplock Clip, 24 Gauge Galvanized Flat Tongue	600	\$0.13

**1-1/4" UTILITY SNAPLOCK CLIP
304 STAINLESS FLAT TONGUE**

Part Number	Description	Box Qty	Price Each
114-SLU-24-S-1DL	Snaplock Clip, 24 Gauge Stainless Flat Tongue	600	\$0.25

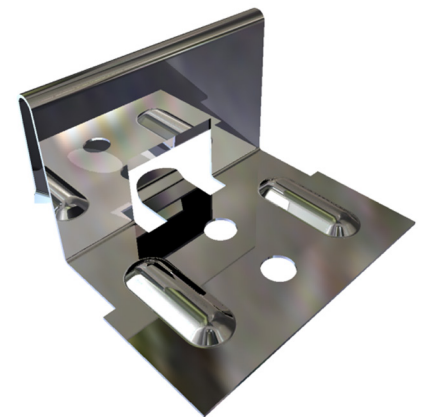
1-1/4" UTILITY SNAPLOCK OFFSET TONGUE 1" DOWNLEG DOGEARS

**1-1/4" UTILITY SNAPLOCK CLIP
GALV OFFSET TONGUE**

Part Number	Description	Box Qty	Price Each
114-SLU-24-G-1DLOT	Snaplock Clip, 24 Gauge Galvanized Offset Tongue	600	\$0.13

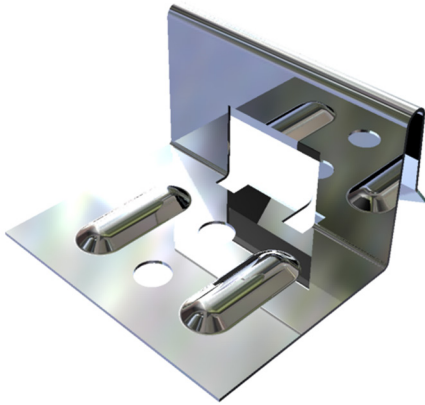
**1-1/4" UTILITY SNAPLOCK CLIP
304 STAINLESS OFFSET TONGUE**

Part Number	Description	Box Qty	Price Each
114-SLU-24-S-1DLOT	Snaplock Clip, 24 Gauge Stainless Offset Tongue	600	\$0.25



All clip pictures are artistic renderings of actual parts. Actual appearance may vary. Physical samples available upon request.

**1-1/8" UTILITY SNAPLOCK
FLAT TONGUE
7/8" DOWNLEG
DOGEARS**



1-1/8" UTILITY SNAPLOCK CLIP - GALV

Part Number	Description	Box Qty	Price Each
118-SLU-24-G	Utility Snaplock Clip, 24 Gauge Galvanized	600	\$0.13

**1-1/8" UTILITY SNAPLOCK CLIP
304 STAINLESS**

Part Number	Description	Box Qty	Price Each
118-SLU-24-S	Utility Snaplock Clip, 24 Gauge 304 Stainless	600	\$0.25

1-1/8" UTILITY SNAPLOCK CLIP - GALV

Part Number	Description	Box Qty	Price Each
118-SLU-24-G-OT	Utility Snaplock Clip, 24 Gauge Galvanized	600	\$0.13

**1-1/8" UTILITY SNAPLOCK CLIP
304 STAINLESS**

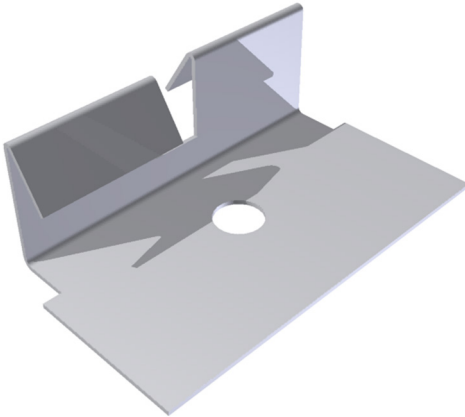
Part Number	Description	Box Qty	Price Each
118-SLU-24-S-OT	Utility Snaplock Clip, 24 Gauge 304 Stainless	600	\$0.25

**1-1/8" UTILITY SNAPLOCK
OFFSET TONGUE
7/8" DOWNLEG
DOGEARS**



All clip pictures are artistic renderings of actual parts. Actual appearance may vary. Physical samples available upon request.

**5/8" SNAP-ON-SEAM CLIP
5/16" DOWNLEG**



**1-1/2" SNAP-ON-SEAM CLIP GALV
ROLLFORMER**

Part Number	Description	Box Qty	Price Each
58-SNBR-26-G	Snap-On Seam Clip, 26 Gauge Galvanized	1000	\$0.13
58-SNBR-24-G	Snap-On Seam Clip, 24 Gauge Galvanized	1000	\$0.14

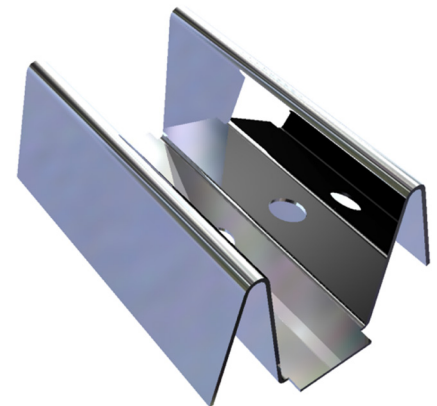
**1-1/2" SNAP-ON-SEAM CLIP 304
STAINLESS ROLLFORMER**

Part Number	Description	Box Qty	Price Each
58-SNBR-26-S	Snap-On Seam Clip, 26 Gauge 304 Stainless	1000	\$0.29
58-SNBR-24-S	Snap-On Seam Clip, 24 Gauge 304 Stainless	1000	\$0.29

**1-1/2" WIDE BATTEN CLIP
3/4" DOWNLEG**

1-1/2" WIDE BATTEN CLIP GALV

Part Number	Description	Box Qty	Price Each
100-WB-26-G	Wide Batten Clip, 26 Gauge Galvanized	1000	\$0.175

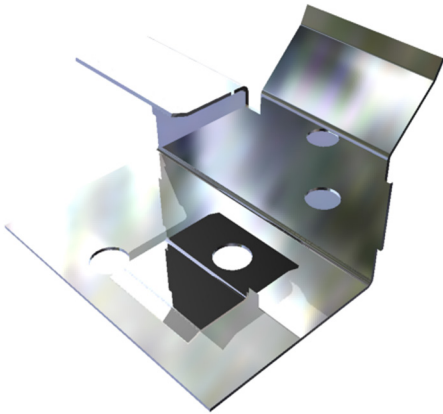


1-1/2" WIDE BATTEN CLIP 304 STAINLESS

Part Number	Description	Box Qty	Price Each
100-WB-26-S	Wide Batten Clip, 26 Gauge 304 Stainless	1000	\$0.38

All clip pictures are artistic renderings of actual parts. Actual appearance may vary. Physical samples available upon request.

**1" SNAP-ON-SEAM CLIP
11/16" DOWNLEG
STD. KICK-OUT**



**1" SNAP-ON SEAM CLIP
GALV ROLLFORMER**

Part Number	Description	Box Qty	Price Each
100-SNBR-26-G	Snap-On Seam Clip, 26 Gauge Galvanized	1000	\$0.135
100-SNBR-24-G	Snap-On Seam Clip, 24 Gauge Galvanized	1000	\$0.145

**1" SNAP-ON SEAM CLIP 304
STAINLESS ROLLFORMER**

Part Number	Description	Box Qty	Price Each
100-SNBR-26-S	Snap-On Seam Clip, 26 Gauge 304 Stainless	1000	\$0.23
100-SNBR-24-S	Snap-On Seam Clip, 24 Gauge 304 Stainless	1000	\$0.23

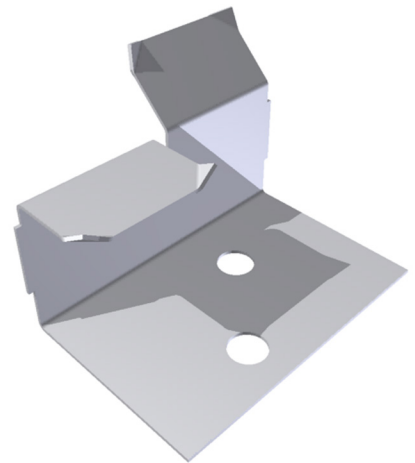
**1" SNAP-ON SEAM CLIP GALV
ROLLFORMER DOG EARS**

Part Number	Description	Box Qty	Price Each
100-SNBR-26-G-DE	Snap-On Seam Clip, 26 Gauge Galvanized	1000	\$0.135
100-SNBR-24-G-DE	Snap-On Seam Clip, 24 Gauge Galvanized	1000	\$0.145

**1" SNAP-ON SEAM CLIP 304 STAINLESS
ROLLFORMER**

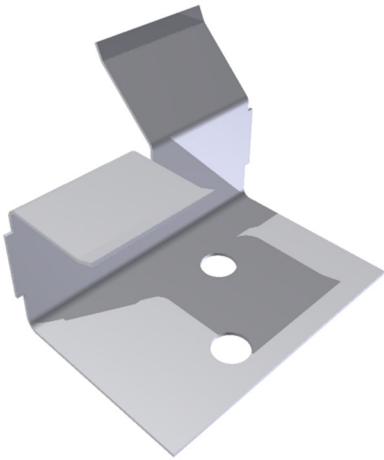
Part Number	Description	Box Qty	Price Each
100-SNBR-26-S-DE	Snap-On Seam Clip, 26 Gauge 304 Stainless	1000	\$0.23
100-SNBR-24-S-DE	Snap-On Seam Clip, 24 Gauge 304 Stainless	1000	\$0.23

**1" SNAP-ON-SEAM CLIP
11/16" DOWNLEG
DOG-EARS**



All clip pictures are artistic renderings of actual parts. Actual appearance may vary. Physical samples available upon request.

**1" SNAP-ON-SEAM CLIP
3/4" DOWNLEG
STD. KICK-OUT**



1" SNAP-ON SEAM CLIP GALV

Part Number	Description	Box Qty	Price Each
100-SNBE-26-G	Snap-On Seam Clip, 26 Gauge Galvanized	1000	\$0.135
100-SNBE-24-G	Snap-On Seam Clip, 24 Gauge Galvanized	1000	\$0.145

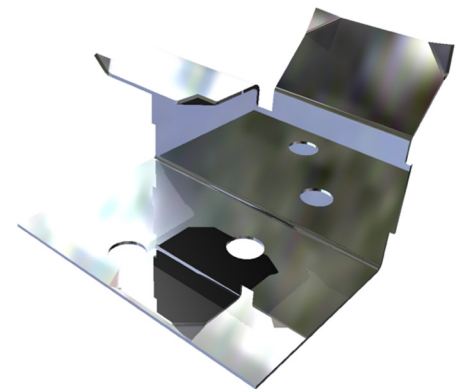
1" SNAP-ON SEAM CLIP 304 STAINLESS

Part Number	Description	Box Qty	Price Each
100-SNBE-26-S	Snap-On Seam Clip, 26 Gauge 304 Stainless	1000	\$0.23
100-SNBE-24-S	Snap-On Seam Clip, 24 Gauge 304 Stainless	1000	\$0.23

1" SNAP-ON SEAM CLIP GALV DOG EARS

Part Number	Description	Box Qty	Price Each
100-SNBE-26-G-DE	Snap-On Seam Clip, 26 Gauge Galvanized	1000	\$0.135
100-SNBE-24-G-DE	Snap-On Seam Clip, 24 Gauge Galvanized	1000	\$0.145

**1" SNAP-ON-SEAM CLIP
3/4" DOWNLEG
DOG-EARS**

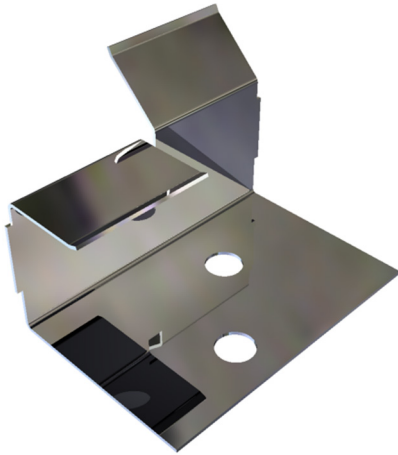


1" SNAP-ON SEAM CLIP GALV

Part Number	Description	Box Qty	Price Each
100-SNBE-26-S-DE	Snap-On Seam Clip, 26 Gauge 304 Stainless	1000	\$0.23
100-SNBE-24-S-DE	Snap-On Seam Clip, 24 Gauge 304 Stainless	1000	\$0.23

All clip pictures are artistic renderings of actual parts. Actual appearance may vary. Physical samples available upon request.

**1" SNAP-ON-SEAM CLIP
9/16" DOWNLEG
1/16" KICK-OUT**



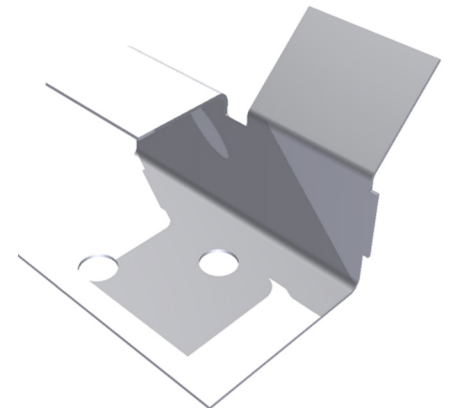
1" SNAP-ON SEAM CLIP GALV

Part Number	Description	Box Qty	Price Each
116-SNBR-26-G	Snap-On Seam Clip, 26 Gauge Galvanized	1000	\$0.135
116-SNBR-24-G	Snap-On Seam Clip, 24 Gauge Galvanized	1000	\$0.145

1" SNAP-ON SEAM CLIP 304 STAINLESS

Part Number	Description	Box Qty	Price Each
116-SNBR-26-S	Snap-On Seam Clip, 26 Gauge 304 Stainless	1000	\$0.23
116-SNBR-24-S	Snap-On Seam Clip, 24 Gauge 304 Stainless	1000	\$0.23

**1" SNAP-ON-SEAM CLIP
3/4" DOWNLEG
NO KICK-OUT**



1" SNAP-ON SEAM CLIP GALV NO KICK OUT

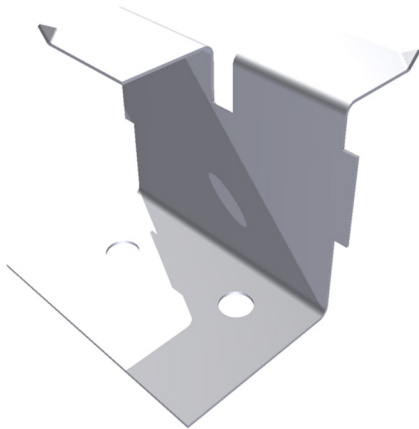
Part Number	Description	Box Qty	Price Each
116-SNBE-26-G-NKO	Snap-On Seam Clip, 26 Gauge Galvanized	1000	\$0.135
116-SNBE-24-G-NKO	Snap-On Seam Clip, 24 Gauge Galvanized	1000	\$0.145

1" SNAP-ON SEAM CLIP GALV 304 STAINLESS

Part Number	Description	Box Qty	Price Each
116-SNBE-26-S-NKO	Snap-On Seam Clip, 26 Gauge Galvanized	1000	\$0.23
116-SNBE-24-S-NKO	Snap-On Seam Clip, 24 Gauge Galvanized	1000	\$0.23

All clip pictures are artistic renderings of actual parts. Actual appearance may vary. Physical samples available upon request.

1-5/8" SNAP-ON-SEAM CLIP 3/4" DOWNLEG



1-5/8" SNAP-ON SEAM CLIP GALV

Part Number	Description	Box Qty	Price Each
158-SNB-26-G	Snap-On Seam Clip, 26 Gauge Galvanized	500	\$0.145
158-SNB-24-G	Snap-On Seam Clip, 24 Gauge Galvanized	500	\$0.17

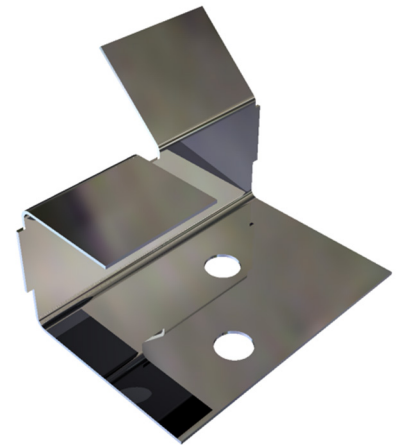
1-5/8" SNAP-ON SEAM CLIP STAINLESS

Part Number	Description	Box Qty	Price Each
158-SNB-26-S	Snap-On Seam Clip, 26 Gauge 304 Stainless	500	\$0.26
158-SNB-24-S	Snap-On Seam Clip, 24 Gauge 304 Stainless	500	\$0.28

1" SNAP-ON-SEAM CLIP 3/4" DOWNLEG GRAND CURVE NARROW

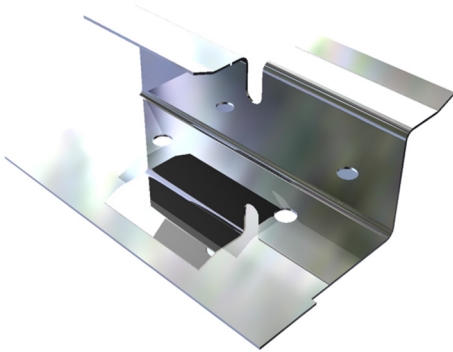
1" SNAP-ON SEAM CLIP GRAND CURVE

Part Number	Description	Box Qty	Price Each
GCN-24-G	Snap-On Seam Clip, 24 Gauge Galvanized	500	\$0.14
GCN-24-S	Snap-On Seam Clip, 24 Gauge 304 Stainless	500	\$0.30



All clip pictures are artistic renderings of actual parts. Actual appearance may vary. Physical samples available upon request.

**HI-PERFORMANCE
1" SNAP-ON-SEAM CLIP**



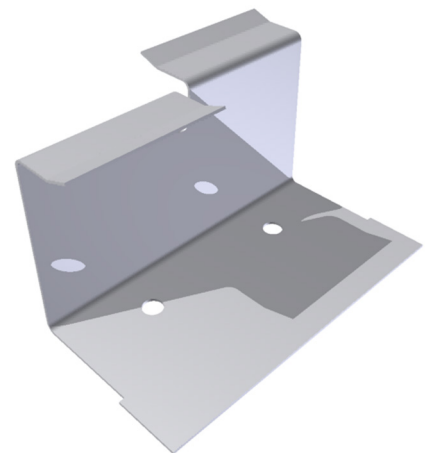
HI-PERFORMANCE 1" SNAP-ON SEAM CLIP GALV			
Part Number	Description	Box Qty	Price Each
100-SBU-26-G	Snap-On Seam Clip, 26 Gauge Galvanized	500	\$0.165
100-SBU-24-G	Snap-On Seam Clip, 24 Gauge Galvanized	500	\$0.20

HI-PERFORMANCE 1" SNAP-ON SEAM CLIP 304 STAINLESS			
Part Number	Description	Box Qty	Price Each
100-SBU-26-S	Snap-On Seam Clip, 26 Gauge 304 Stainless	500	\$0.38
100-SBU-24-S	Snap-On Seam Clip, 24 Gauge 304 Stainless	500	\$0.39

HI-PERFORMANCE 1-5/8" SNAP-ON SEAM CLIP GALV			
Part Number	Description	Box Qty	Price Each
158-SBU-26-G	Snap-On Seam Clip, 26 Gauge Galvanized	500	\$0.22
158-SBU-24-G	Snap-On Seam Clip, 24 Gauge Galvanized	500	\$0.245

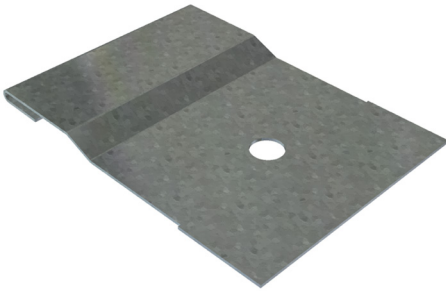
HI-PERFORMANCE 1-5/8" SNAP-ON SEAM CLIP 304 STAINLESS			
Part Number	Description	Box Qty	Price Each
158-SBU-26-S	Snap-On Seam Clip, 26 Gauge 304 Stainless	500	\$0.39
158-SBU-24-S	Snap-On Seam Clip, 24 Gauge 304 Stainless	500	\$0.40

**HI-PERFORMANCE
1-5/8" SNAP-ON-SEAM
CLIP**



All clip pictures are artistic renderings of actual parts. Actual appearance may vary. Physical samples available upon request.

BERMUDA CLIP 3/4" HOOK 1-HOLE



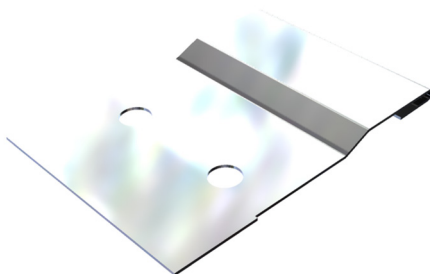
BERMUDA CLIP 1-HOLE GALV

Part Number	Description	Box Qty	Price Each
BC-1H-26-G	Bermuda Clip, 26ga Galv	1000	\$0.095
BC-1H-24-G	Bermuda Clip, 24ga Galv	1000	\$0.105
BC-1H-22-G	Bermuda Clip, 22ga Galv	1000	\$0.12
BC-1H-20-G	Bermuda Clip, 20ga Galv	1000	\$0.13

BERMUDA CLIP 1-HOLE 304 STAINLESS

Part Number	Description	Box Qty	Price Each
BC-1H-26-S	Bermuda Clip, 26ga 304 Stainless	1000	\$0.23
BC-1H-24-S	Bermuda Clip, 24ga 304 Stainless	1000	\$0.23
BC-1H-22-S	Bermuda Clip, 22ga 304 Stainless	1000	\$0.29
BC-1H-20-S	Bermuda Clip, 20ga 304 Stainless	1000	\$0.37

BERMUDA CLIP 3/4" HOOK 2-HOLE



BERMUDA CLIP 2-HOLE GALV

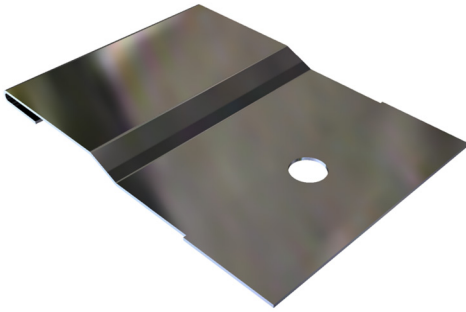
Part Number	Description	Box Qty	Price Each
BC-2H-26-G	Bermuda Clip, 26ga Galv	1000	\$0.095
BC-2H-24-G	Bermuda Clip, 24ga Galv	1000	\$0.105
BC-2H-22-G	Bermuda Clip, 22ga Galv	1000	\$0.12
BC-2H-20-G	Bermuda Clip, 20ga Galv	1000	\$0.13

BERMUDA CLIP 2-HOLE 304 STAINLESS

Part Number	Description	Box Qty	Price Each
BC-2H-26-S	Bermuda Clip, 26ga 304 Stainless	1000	\$0.23
BC-2H-24-S	Bermuda Clip, 24ga 304 Stainless	1000	\$0.23
BC-2H-22-S	Bermuda Clip, 22ga 304 Stainless	1000	\$0.29
BC-2H-20-S	Bermuda Clip, 20ga 304 Stainless	1000	\$0.37

All clip pictures are artistic renderings of actual parts. Actual appearance may vary. Physical samples available upon request.

BERMUDA CLIP 1" HOOK 1-HOLE



BERMUDA CLIP 1-HOLE GALV

Part Number	Description	Box Qty	Price Each
BEC-1H-26-G	Bermuda Clip, 26ga Galv	1000	\$0.095
BEC-1H-24-G	Bermuda Clip, 24ga Galv	1000	\$0.105
BEC-1H-22-G	Bermuda Clip, 22ga Galv	1000	\$0.12
BEC-1H-20-G	Bermuda Clip, 20ga Galv	1000	\$0.13

BERMUDA CLIP 1-HOLE 304 STAINLESS

Part Number	Description	Box Qty	Price Each
BEC-1H-26-S	Bermuda Clip, 26ga 304 Stainless	1000	\$0.23
BEC-1H-24-S	Bermuda Clip, 24ga 304 Stainless	1000	\$0.23
BEC-1H-22-S	Bermuda Clip, 22ga 304 Stainless	1000	\$0.29
BEC-1H-20-S	Bermuda Clip, 20ga 304 Stainless	1000	\$0.37

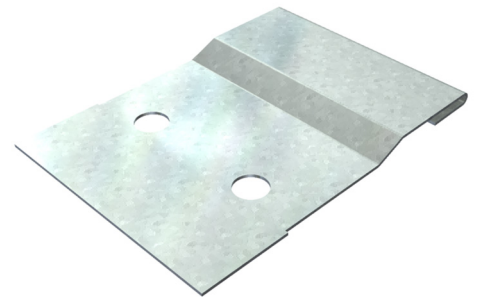
BERMUDA CLIP 2-HOLE GALV

Part Number	Description	Box Qty	Price Each
BEC-2H-26-G	Bermuda Clip, 26ga Galv	1000	\$0.095
BEC-2H-24-G	Bermuda Clip, 24ga Galv	1000	\$0.105
BEC-2H-22-G	Bermuda Clip, 22ga Galv	1000	\$0.12
BEC-2H-20-G	Bermuda Clip, 20ga Galv	1000	\$0.13

BERMUDA CLIP 2-HOLE 304 STAINLESS

Part Number	Description	Box Qty	Price Each
BEC-2H-26-S	Bermuda Clip, 26ga 304 Stainless	1000	\$0.23
BEC-2H-24-S	Bermuda Clip, 24ga 304 Stainless	1000	\$0.23
BEC-2H-22-S	Bermuda Clip, 22ga 304 Stainless	1000	\$0.29
BEC-2H-20-S	Bermuda Clip, 20ga 304 Stainless	1000	\$0.37

BERMUDA CLIP 1" HOOK 2-HOLE

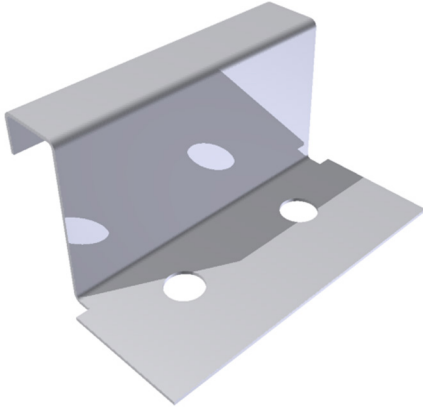


All clip pictures are artistic renderings of actual parts. Actual appearance may vary. Physical samples available upon request.

FIXED CLIPS



**1" FIXED CLIPS
7/16" WIDE TOP
5/16" DOWNLEG
TWO HOLE BASE**



1" FIXED CLIP GALV

Part Number	Description	Box Qty	Price Each
100-FC-26-G	1" Fixed Clip, 26 Gauge Galvanized	1000	\$0.08
100-FC-24-G	1" Fixed Clip, 24 Gauge Galvanized	1000	\$0.09

1" FIXED CLIP 304 STAINLESS

Part Number	Description	Box Qty	Price Each
100-FC-26-S	1" Fixed Clip, 26 Gauge Stainless	1000	\$0.17
100-FC-24-S	1" Fixed Clip, 24 Gauge Stainless	1000	\$0.19

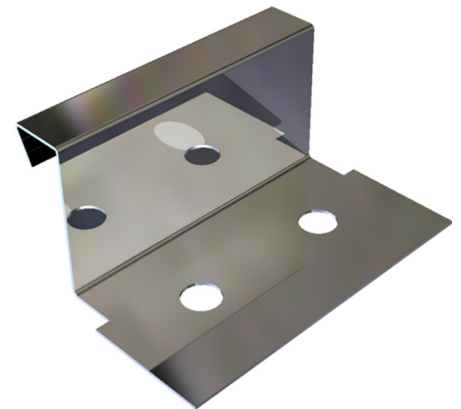
1" FIXED CLIP GALV

Part Number	Description	Box Qty	Price Each
100-FC-26-G-118PF	1" Fixed Clip, 26 Gauge Galvanized	1000	\$0.08
100-FC-24-G-118PF	1" Fixed Clip, 24 Gauge Galvanized	1000	\$0.09

1" FIXED CLIP 304 STAINLESS

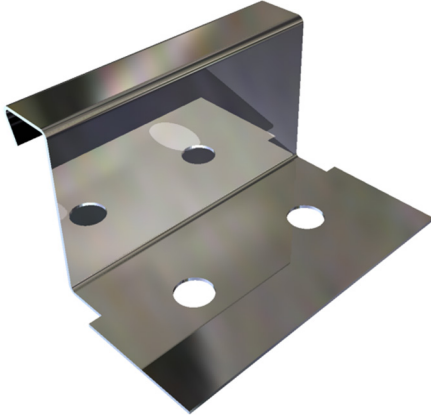
Part Number	Description	Box Qty	Price Each
100-FC-26-S-118PF	1" Fixed Clip, 26 Gauge Stainless	1000	\$0.17
100-FC-24-S-118PF	1" Fixed Clip, 24 Gauge Stainless	1000	\$0.19

**1" FIXED CLIPS
118 PROFILE
7/16" WIDE TOP
5/16" DOWNLEG
TWO HOLE BASE**



All clip pictures are artistic renderings of actual parts. Actual appearance may vary. Physical samples available upon request.

**1-1/8" FIXED CLIPS
7/16" WIDE TOP
5/16" DOWNLEG
TWO HOLE BASE**



1-1/8" FIXED CLIP GALV

Part Number	Description	Box Qty	Price Each
118-FC-26-G	1-1/8" Fixed Clip, 26 Gauge Galvanized	1000	\$0.08
118-FC-24-G	1-1/8" Fixed Clip, 24 Gauge Galvanized	1000	\$0.09

1-1/8" FIXED CLIP 304 STAINLESS

Part Number	Description	Box Qty	Price Each
118-FC-26-S	1-1/8" Fixed Clip, 26 Gauge Stainless	1000	\$0.17
118-FC-24-S	1-1/8" Fixed Clip, 24 Gauge Stainless	1000	\$0.19

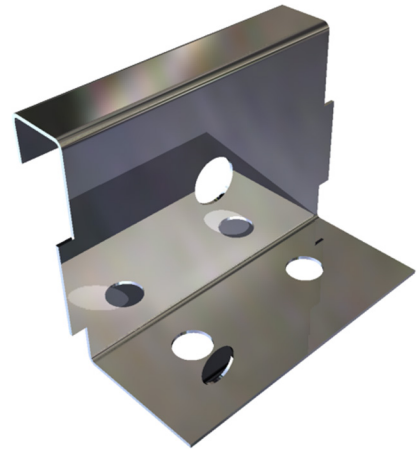
1-1/2" FIXED CLIP GALV.

Part Number	Description	Box Qty	Price Each
150-FC-26-G	1-1/2" Fixed Clip 26ga Galvanized	1000	\$0.08
150-FC-24-G	1-1/2" Fixed Clip 24ga Galvanized	1000	\$0.09
150-FC-22-G	1-1/2" Fixed Clip 22ga Galvanized	1000	\$0.10

1-1/2" FIXED CLIP 304 STAINLESS

Part Number	Description	Box Qty	Price Each
150-FC-26-S	1-1/2" Fixed Clip 26ga Ga 304 Stainless	1000	\$0.19
150-FC-24-S	1-1/2" Fixed Clip 24ga 304 Stainless	1000	\$0.21
150-FC-22-S	1-1/2" Fixed Clip 22ga 304 Stainless	1000	\$0.22

**1-1/2" FIXED CLIPS
7/16" WIDE TOP
5/16" DOWNLEG**

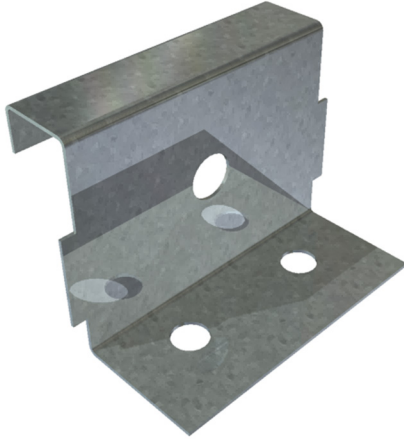


All clip pictures are artistic renderings of actual parts. Actual appearance may vary. Physical samples available upon request.

FIXED CLIPS



1-1/2" FIXED CLIPS 1/2" WIDE TOP 3/8" DOWNLEG



1-1/2" FIXED CLIP GALV. KNUDSON

Part Number	Description	Box Qty	Price Each
150-FC-26-G-K	1-1/2" Fixed Clip 26ga Galvanized	1000	\$0.08
150-FC-24-G-K	1-1/2" Fixed Clip 24ga Galvanized	1000	\$0.09
150-FC-22-G-K	1-1/2" Fixed Clip 22ga Galvanized	1000	\$0.10

1-1/2" FIXED CLIP STAINLESS KNUDSON

Part Number	Description	Box Qty	Price Each
150-FC-26-S-K	1-1/2" Fixed Clip 26ga Ga 304 Stainless	1000	\$0.19
150-FC-24-S-K	1-1/2" Fixed Clip 24ga 304 Stainless	1000	\$0.21
150-FC-22-S-K	1-1/2" Fixed Clip 22ga 304 Stainless	1000	\$0.22

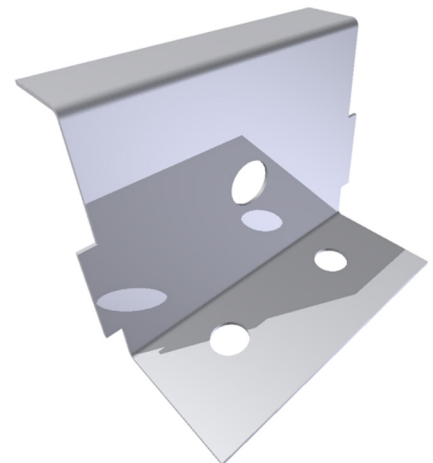
1-1/2" FIXED CLIP GALV. NDL

Part Number	Description	Box Qty	Price Each
150-FC-26-G-NDL	1-1/2" Fixed Clip 26ga Galvanized	1000	\$0.08
150-FC-24-G-NDL	1-1/2" Fixed Clip 24ga Galvanized	1000	\$0.09
150-FC-22-G-NDL	1-1/2" Fixed Clip 22ga Galvanized	1000	\$0.10

1-1/2" FIXED CLIP 304 STAINLESS NDL

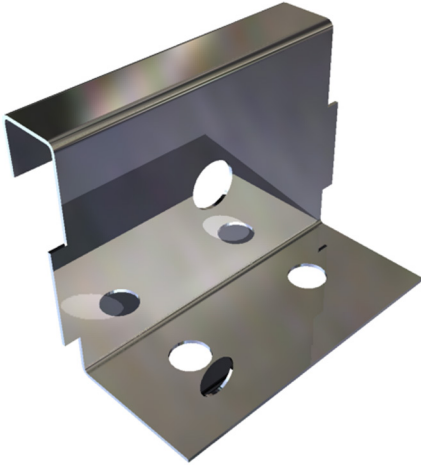
Part Number	Description	Box Qty	Price Each
150-FC-26-S-NDL	1-1/2" Fixed Clip 26ga Ga 304 Stainless	1000	\$0.19
150-FC-24-S-NDL	1-1/2" Fixed Clip 24ga 304 Stainless	1000	\$0.21
150-FC-22-S-NDL	1-1/2" Fixed Clip 22ga 304 Stainless	1000	\$0.22

1-1/2" FIXED CLIPS 7/16" WIDE TOP NO DOWNLEG



All clip pictures are artistic renderings of actual parts. Actual appearance may vary. Physical samples available upon request.

**1-1/2" FIXED CLIPS
7/16" WIDE TOP
3/8" DOWNLEG**



1-1/2" FIXED CLIP GALV. 3/8" DL

Part Number	Description	Box Qty	Price Each
150-FC-26-G-38DL	1-1/2" Fixed Clip 26ga Galvanized	1000	\$0.08
150-FC-24-G-38DL	1-1/2" Fixed Clip 24ga Galvanized	1000	\$0.09
150-FC-22-G-38DL	1-1/2" Fixed Clip 22ga Galvanized	1000	\$0.10

1-1/2" FIXED CLIP 304 STAINLESS 3/8" DL

Part Number	Description	Box Qty	Price Each
150-FC-26-S-38DL	1-1/2" Fixed Clip 26ga Ga 304 Stainless	1000	\$0.19
150-FC-24-S-38DL	1-1/2" Fixed Clip 24ga 304 Stainless	1000	\$0.21
150-FC-22-S-38DL	1-1/2" Fixed Clip 22ga 304 Stainless	1000	\$0.22

**1-5/8" FIXED CLIPS
UL CLASSIFIED**

1-5/8" UL CLASSIFIED FIXED CLIP GALV.

Part Number	Description	Box Qty	Price Each
158-FCU-24-G	1-5/8" Fixed Clip 24 ga Galvanized	250	\$0.34

**1-5/8" UL CLASSIFIED FIXED CLIP
304 STAINLESS**

Part Number	Description	Box Qty	Price Each
158-FCU-24-S	1-5/8" Fixed Clip 24 ga 304 Stainless	250	\$0.65

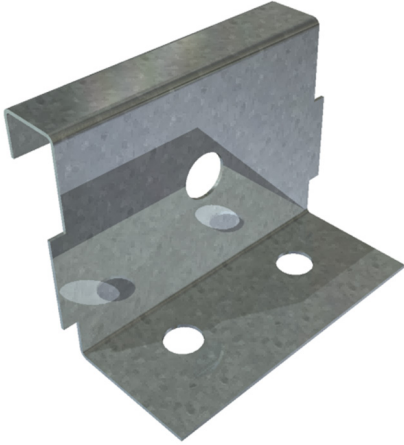


All clip pictures are artistic renderings of actual parts. Actual appearance may vary. Physical samples available upon request.

FIXED CLIPS



1-5/8" FIXED CLIPS 7/16" WIDE TOP 5/16" DOWNLEG



1-5/8" FIXED CLIP GALV.

Part Number	Description	Box Qty	Price Each
158-FC-26-G	1-5/8" Fixed Clip 26ga Galvanized	1000	\$0.08
158-FC-24-G	1-5/8" Fixed Clip 24ga Galvanized	1000	\$0.09
158-FC-22-G	1-5/8" Fixed Clip 22ga Galvanized	1000	\$0.10

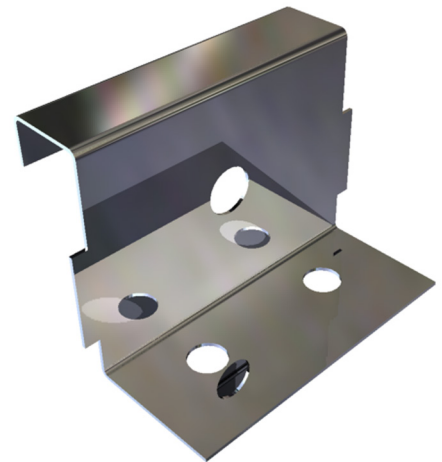
1-5/8" FIXED CLIP 304 STAINLESS

Part Number	Description	Box Qty	Price Each
158-FC-26-S	1-5/8" Fixed Clip 26ga Stainless	1000	\$0.19
158-FC-24-S	1-5/8" Fixed Clip 24ga Stainless	1000	\$0.21
158-FC-22-S	1-5/8" Fixed Clip 22ga Stainless	1000	\$0.22

1-5/8" FIXED CLIP GALV. KNUDSON

Part Number	Description	Box Qty	Price Each
158-FC-26-G-K	1-5/8" Fixed Clip 26ga Galvanized	1000	\$0.08
158-FC-24-G-K	1-5/8" Fixed Clip 24ga Galvanized	1000	\$0.09
158-FC-22-G-K	1-5/8" Fixed Clip 22ga Galvanized	1000	\$0.10

1-5/8" FIXED CLIPS 1/2" WIDE TOP 3/8" DOWNLEG

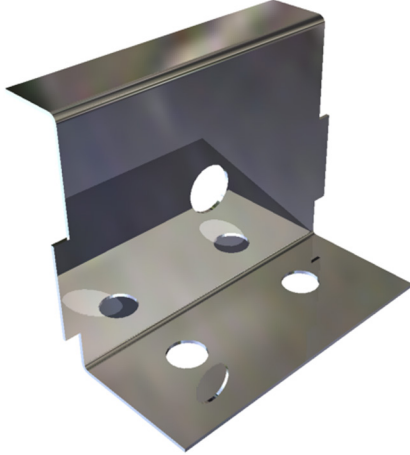


1-5/8" FIXED CLIP 304 STAINLESS KNUDSON

Part Number	Description	Box Qty	Price Each
158-FC-26-S-K	1-5/8" Fixed Clip 26ga Stainless	1000	\$0.19
158-FC-24-S-K	1-5/8" Fixed Clip 24ga Stainless	1000	\$0.21
158-FC-22-S-K	1-5/8" Fixed Clip 22ga Stainless	1000	\$0.22

All clip pictures are artistic renderings of actual parts. Actual appearance may vary. Physical samples available upon request.

**1-5/8" FIXED CLIPS
7/16" WIDE TOP
NO DOWNLEG**



1-5/8" FIXED CLIP GALV. NDL

Part Number	Description	Box Qty	Price Each
158-FC-26-G-NDL	1-5/8" Fixed Clip 26ga Galvanized	1000	\$0.08
158-FC-24-G-NDL	1-5/8" Fixed Clip 24ga Galvanized	1000	\$0.09
158-FC-22-G-NDL	1-5/8" Fixed Clip 22ga Galvanized	1000	\$0.10

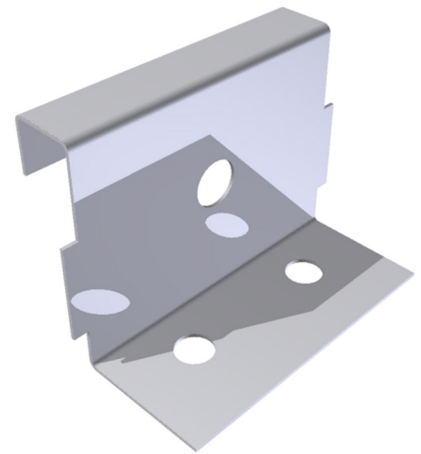
1-5/8" FIXED CLIP 304 STAINLESS NDL

Part Number	Description	Box Qty	Price Each
158-FC-26-S-NDL	1-5/8" Fixed Clip 26ga Stainless	1000	\$0.19
158-FC-24-S-NDL	1-5/8" Fixed Clip 24ga Stainless	1000	\$0.21
158-FC-22-S-NDL	1-5/8" Fixed Clip 22ga Stainless	1000	\$0.22

1-5/8" FIXED CLIP GALV. 3/8" DL

Part Number	Description	Box Qty	Price Each
158-FC-26-G-38DL	1-5/8" Fixed Clip 26ga Galvanized	1000	\$0.08
158-FC-24-G-38DL	1-5/8" Fixed Clip 24ga Galvanized	1000	\$0.09
158-FC-22-G-38DL	1-5/8" Fixed Clip 22ga Galvanized	1000	\$0.10

**1-5/8" FIXED CLIPS
7/16" WIDE TOP
3/8" DOWNLEG**



1-5/8" FIXED CLIP 304 STAINLESS 3/8" DL

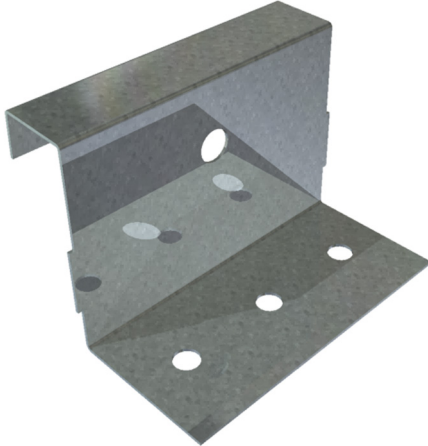
Part Number	Description	Box Qty	Price Each
158-FC-26-S-38DL	1-5/8" Fixed Clip 26ga Stainless	1000	\$0.19
158-FC-24-S-38DL	1-5/8" Fixed Clip 24ga Stainless	1000	\$0.21
158-FC-22-S-38DL	1-5/8" Fixed Clip 22ga Stainless	1000	\$0.22

All clip pictures are artistic renderings of actual parts. Actual appearance may vary. Physical samples available upon request.

FIXED CLIPS



2" FIXED CLIPS 3/4" WIDE TOP 1/2" DOWNLEG



2" FIXED CLIP GALV.

Part Number	Description	Box Qty	Price Each
200-FC-26-G	2" Fixed Clip 26ga Galvanized	600	\$0.16
200-FC-24-G	2" Fixed Clip 24ga Galvanized	600	\$0.17
200-FC-22-G	2" Fixed Clip 22ga Galvanized	600	\$0.20

2" FIXED CLIP 304 STAINLESS

Part Number	Description	Box Qty	Price Each
200-FC-26-S	2" Fixed Clip 26ga Stainless	600	\$0.32
200-FC-24-S	2" Fixed Clip 24ga Stainless	600	\$0.34
200-FC-22-S	2" Fixed Clip 22ga Stainless	600	\$0.38

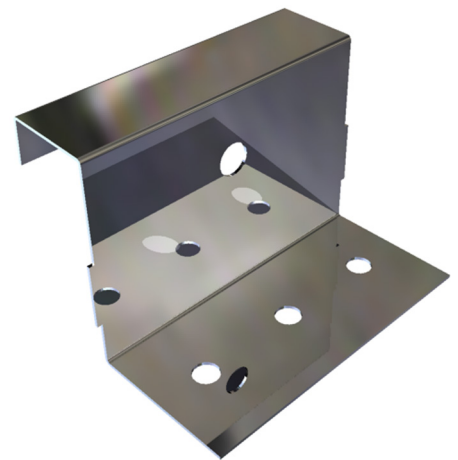
2" FIXED CLIP GALV. KNUDSON

Part Number	Description	Box Qty	Price Each
200-FC-26-G-K	2" Fixed Clip 26ga Galvanized	600	\$0.16
200-FC-24-G-K	2" Fixed Clip 24ga Galvanized	600	\$0.17
200-FC-22-G-K	2" Fixed Clip 22ga Galvanized	600	\$0.20

2" FIXED CLIP 304 STAINLESS KNUDSON

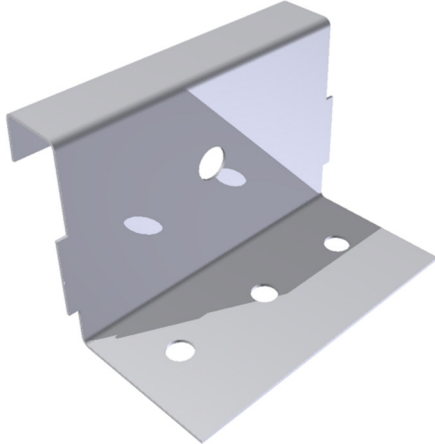
Part Number	Description	Box Qty	Price Each
200-FC-26-S-K	2" Fixed Clip 26ga Stainless	600	\$0.32
200-FC-24-S-K	2" Fixed Clip 24ga Stainless	600	\$0.34
200-FC-22-S-K	2" Fixed Clip 22ga Stainless	600	\$0.38

2" FIXED CLIPS 13/16" WIDE TOP 1/2" DOWNLEG



All clip pictures are artistic renderings of actual parts. Actual appearance may vary. Physical samples available upon request.

**2" FIXED CLIPS
5/8" WIDE TOP
3/8" DOWNLEG**



2" FIXED CLIP GALV. QUADRO

Part Number	Description	Box Qty	Price Each
200-FC-26-G-QP	2" Fixed Clip 26ga Galvanized	600	\$0.16
200-FC-24-G-QP	2" Fixed Clip 24ga Galvanized	600	\$0.17
200-FC-22-G-QP	2" Fixed Clip 22ga Galvanized	600	\$0.20

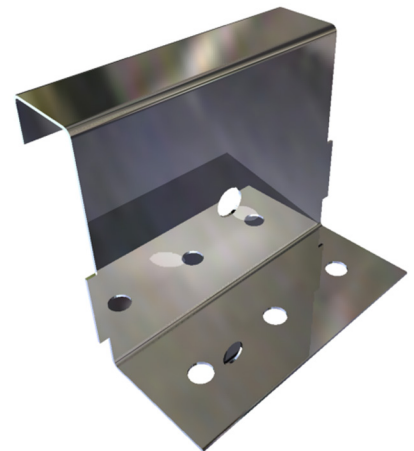
2" FIXED CLIP 304 STAINLESS QUADRO

Part Number	Description	Box Qty	Price Each
200-FC-26-S-QP	2" Fixed Clip 26ga Stainless	600	\$0.32
200-FC-24-S-QP	2" Fixed Clip 24ga Stainless	600	\$0.34
200-FC-22-S-QP	2" Fixed Clip 22ga Stainless	600	\$0.38

2" FIXED CLIP GALV.

Part Number	Description	Box Qty	Price Each
2+50-FC-24-G	2" Fixed Clip 24ga Galvanized	750	\$0.16
2+50-FC-22-G	2" Fixed Clip 22ga Galvanized	750	\$0.17

**2" FIXED CLIPS
7/16" WIDE TOP
5/16" DOWNLEG**



2" FIXED CLIP 304 STAINLESS

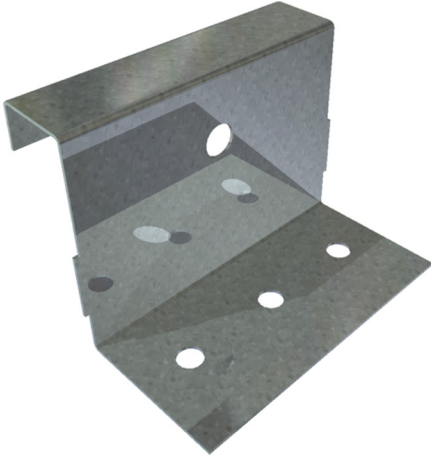
Part Number	Description	Box Qty	Price Each
2+50-FC-24-S	2" Fixed Clip 24ga 304 Stainless	750	\$0.32
2+50-FC-22-S	2" Fixed Clip 22ga 304 Stainless	750	\$0.34

All clip pictures are artistic renderings of actual parts. Actual appearance may vary. Physical samples available upon request.

FIXED CLIPS



2-1/8" FIXED CLIPS 3/4" WIDE TOP 1/2" DOWNLEG



2-1/8" FIXED CLIP GALV.

Part Number	Description	Box Qty	Price Each
218-FC-26-G	2-1/8" Fixed Clip 26ga Galvanized	600	\$0.16
218-FC-24-G	2-1/8" Fixed Clip 24ga Galvanized	600	\$0.17
218-FC-22-G	2-1/8" Fixed Clip 22ga Galvanized	600	\$0.20

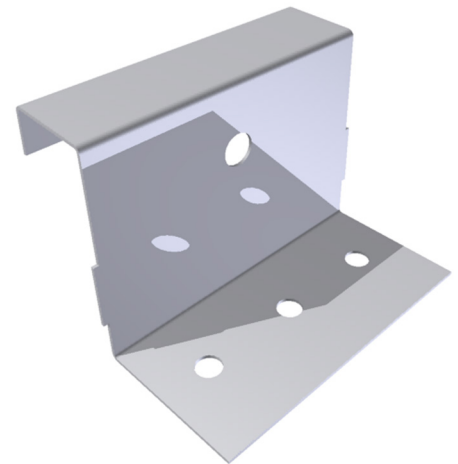
2-1/8" FIXED CLIP 304 STAINLESS

Part Number	Description	Box Qty	Price Each
218-FC-26-S	2-1/8" Fixed Clip 26ga Stainless	600	\$0.32
218-FC-24-S	2-1/8" Fixed Clip 24ga Stainless	600	\$0.34
218-FC-22-S	2-1/8" Fixed Clip 22ga Stainless	600	\$0.38

2-1/8" FIXED CLIP GALV. KNUDSON

Part Number	Description	Box Qty	Price Each
218-FC-26-G-K	2-1/8" Fixed Clip 26ga Galvanized	600	\$0.16
218-FC-24-G-K	2-1/8" Fixed Clip 24ga Galvanized	600	\$0.17
218-FC-22-G-K	2-1/8" Fixed Clip 22ga Galvanized	600	\$0.20

2-1/8" FIXED CLIPS 13/16" WIDE TOP 1/2" DOWNLEG

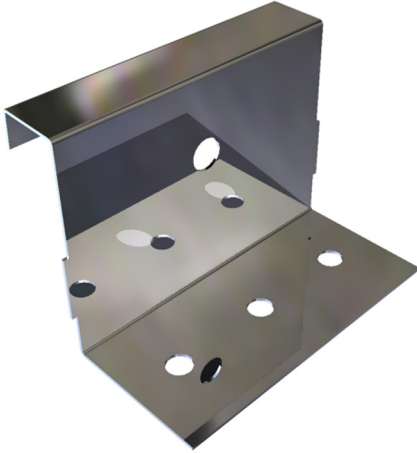


2-1/8" FIXED CLIP 304 STAINLESS KNUDSON

Part Number	Description	Box Qty	Price Each
218-FC-26-S-K	2-1/8" Fixed Clip 26ga Stainless	600	\$0.32
218-FC-24-S-K	2-1/8" Fixed Clip 24ga Stainless	600	\$0.34
218-FC-22-S-K	2-1/8" Fixed Clip 22ga Stainless	600	\$0.38

All clip pictures are artistic renderings of actual parts. Actual appearance may vary. Physical samples available upon request.

**2-1/8" FIXED CLIPS
5/8" WIDE TOP
3/8" DOWNLEG**



2-1/8" FIXED CLIP GALV. QUADRO

Part Number	Description	Box Qty	Price Each
218-FC-26-G-QP	2-1/8" Fixed Clip 26ga Galvanized	600	\$0.16
218-FC-24-G-QP	2-1/8" Fixed Clip 24ga Galvanized	600	\$0.17
218-FC-22-G-QP	2-1/8" Fixed Clip 22ga Galvanized	600	\$0.20

2-1/8" FIXED CLIP 304 STAINLESS QUADRO

Part Number	Description	Box Qty	Price Each
218-FC-26-S-QP	2-1/8" Fixed Clip 26ga Stainless	600	\$0.32
218-FC-24-S-QP	2-1/8" Fixed Clip 24ga Stainless	600	\$0.34
218-FC-22-S-QP	2-1/8" Fixed Clip 22ga Stainless	600	\$0.38

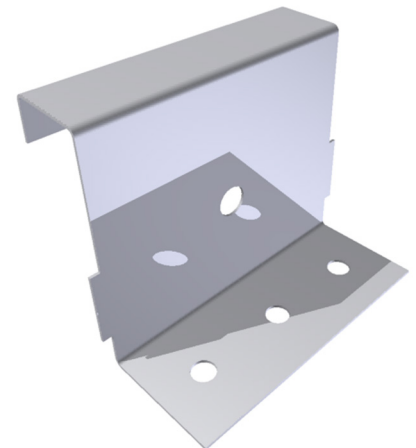
2-1/2" FIXED CLIP GALV.

Part Number	Description	Box Qty	Price Each
250-FC-24-G	2-1/2" Fixed Clip 24ga Galvanized	600	\$0.21
250-FC-22-G	2-1/2" Fixed Clip 22ga Galvanized	600	\$0.23

2-1/2" FIXED CLIP 304 STAINLESS

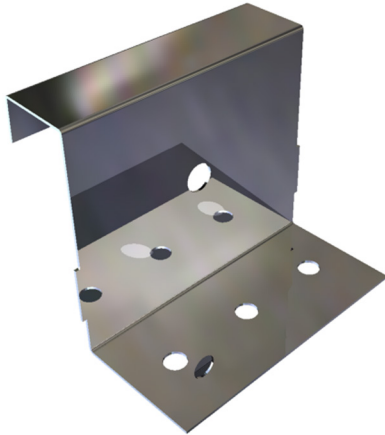
Part Number	Description	Box Qty	Price Each
250-FC-24-S	2-1/2" Fixed Clip 24ga 304 Stainless	600	\$0.34
250-FC-22-S	2-1/2" Fixed Clip 22ga 304 Stainless	600	\$0.38

**2-1/2" FIXED CLIPS
3/4" WIDE TOP
1/2" DOWNLEG**



All clip pictures are artistic renderings of actual parts. Actual appearance may vary. Physical samples available upon request.

**2-1/2" FIXED CLIPS
13/16" WIDE TOP
1/2" DOWNLEG**



2-1/2" FIXED CLIP GALV. KNUDSON

Part Number	Description	Box Qty	Price Each
250-FC-24-G-K	2-1/2" Fixed Clip 24ga Galvanized	600	\$0.21
250-FC-22-G-K	2-1/2" Fixed Clip 22ga Galvanized	600	\$0.23

2-1/2" FIXED CLIP 304 STAINLESS KNUDSON

Part Number	Description	Box Qty	Price Each
250-FC-24-S-K	2-1/2" Fixed Clip 24ga 304 Stainless	600	\$0.34
250-FC-22-S-K	2-1/2" Fixed Clip 22ga 304 Stainless	600	\$0.38

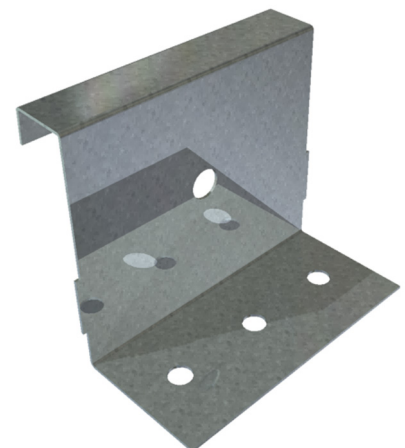
2-1/2" FIXED CLIP GALV. QUADRO

Part Number	Description	Box Qty	Price Each
250-FC-24-G-QP	2-1/2" Fixed Clip 24ga Galvanized	600	\$0.21
250-FC-22-G-QP	2-1/2" Fixed Clip 22ga Galvanized	600	\$0.23

2-1/2" FIXED CLIP 304 STAINLESS QUADRO

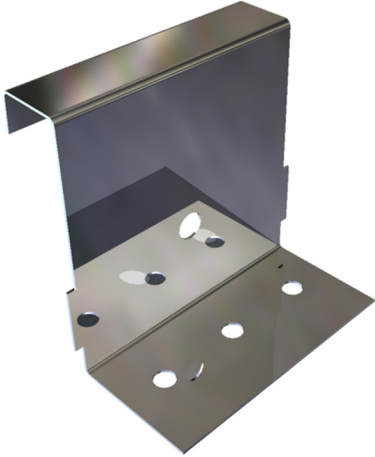
Part Number	Description	Box Qty	Price Each
250-FC-24-S-QP	2-1/2" Fixed Clip 24ga 304 Stainless	600	\$0.34
250-FC-22-S-QP	2-1/2" Fixed Clip 22ga 304 Stainless	600	\$0.38

**2-1/2" FIXED CLIPS
5/8" WIDE TOP
3/8" DOWNLEG**



All clip pictures are artistic renderings of actual parts. Actual appearance may vary. Physical samples available upon request.

**3" FIXED CLIPS
3/4" WIDE TOP
1/2" DOWNLEG**



3" FIXED CLIP GALV.

Part Number	Description	Box Qty	Price Each
300-FC-24-G	3" Fixed Clip 24ga Galvanized	600	\$0.21
300-FC-22-G	3" Fixed Clip 22ga Galvanized	600	\$0.23

3" FIXED CLIP 304 STAINLESS

Part Number	Description	Box Qty	Price Each
300-FC-24-S	3" Fixed Clip 24ga 304 Stainless	600	\$0.34
300-FC-22-S	3" Fixed Clip 22ga 304 Stainless	600	\$0.38

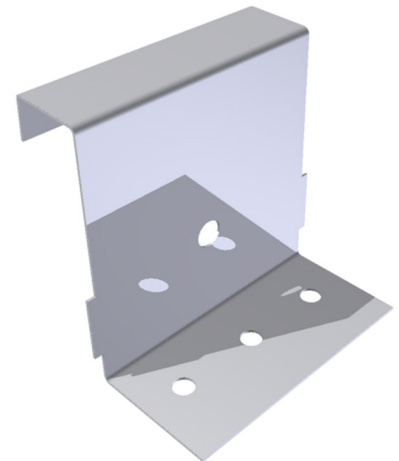
3" FIXED CLIP GALV. KNUDSON

Part Number	Description	Box Qty	Price Each
300-FC-24-G-K	3" Fixed Clip 24ga Galvanized	600	\$0.21
300-FC-22-G-K	3" Fixed Clip 22ga Galvanized	600	\$0.23

3" FIXED CLIP 304 STAINLESS KNUDSON

Part Number	Description	Box Qty	Price Each
300-FC-24-S-K	3" Fixed Clip 24ga 304 Stainless	600	\$0.34
300-FC-22-S-K	3" Fixed Clip 22ga 304 Stainless	600	\$0.38

**3" FIXED CLIPS
13/16" WIDE TOP
1/2" DOWNLEG**

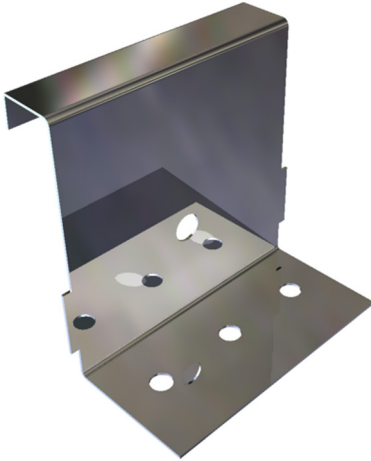


All clip pictures are artistic renderings of actual parts. Actual appearance may vary. Physical samples available upon request.

FIXED CLIPS



**3" FIXED CLIPS
5/8" WIDE TOP
3/8" DOWNLEG**



3" FIXED CLIP GALV. QUADRO

Part Number	Description	Box Qty	Price Each
300-FC-24-G-QP	3" Fixed Clip 24ga Galvanized	600	\$0.21
300-FC-22-G-QP	3" Fixed Clip 22ga Galvanized	600	\$0.23

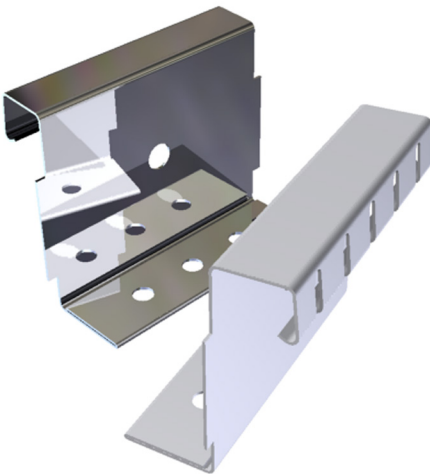
3" FIXED CLIP 304 STAINLESS QUADRO

Part Number	Description	Box Qty	Price Each
300-FC-24-S-QP	3" Fixed Clip 24ga 304 Stainless	600	\$0.34
300-FC-22-S-QP	3" Fixed Clip 22ga 304 Stainless	600	\$0.38

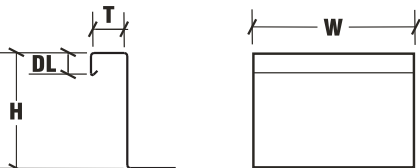
All clip pictures are artistic renderings of actual parts. Actual appearance may vary. Physical samples available upon request.

HI-PERFORMANCE 2 3/8" FIXED CLIPS

Our Hi-Performance Fixed Clip is designed for the ultimate in hold-down power. Available in 22ga galvanized or 304 stainless steel, this clip features a double thickness screw base to help eliminate tear-out around the screw heads and a hook (hook can be removed at your request) on the downleg to aid installation by supporting the panel during the seaming process.



H = 2 3/8"	H = 2 3/8"	H = 2 3/8"
W = 3"	W = 3"	W = 3"
DL = 1/2"	DL = 1/2"	DL = 1/2"
T = 3/8"	T = 13/16"	T = 5/8"
238-FC-22-G	238-FC-22-G-K	238-FC-22-G-QP
238-FC-22-S	238-FC-22-S-K	238-FC-22-S-QP



HIGH PERFORMANCE 2 3/8" FIXED CLIP 3/4" WIDE GALV

Part Number	Description	Box Qty	Price Each
238-FC-22-G	Fixed Clip Basic Top, 22ga GALV	250	
238-FCS-22-G	Fixed Clip Slotted Top, 22ga GALV	250	

HIGH PERFORMANCE 2 3/8" FIXED CLIP 3/4" WIDE 304 SS

Part Number	Description	Box Qty	Price Each
238-FC-22-S	Fixed Clip Basic Top, 22ga SS	250	
238-FCS-22-S	Fixed Clip Slotted Top, 22ga SS	250	

HIGH PERFORMANCE 2 3/8" FIXED CLIP 13/16" WIDE for KNUDSON GALV

Part Number	Description	Box Qty	Price Each
238-FC-22-G-K	Fixed Clip Basic Top, 22ga GALV	250	
238-FCS-22-G-K	Fixed Clip Slotted Top, 22ga GALV	250	

HIGH PERFORMANCE 2 3/8" FIXED CLIP 13/16" WIDE for KNUDSON 304 SS

Part Number	Description	Box Qty	Price Each
238-FC-22-S-K	Fixed Clip Basic Top, 22ga SS	250	
238-FCS-22-S-K	Fixed Clip Slotted Top, 22ga SS	250	

HIGH PERFORMANCE 2 3/8" FIXED CLIP 5/8" WIDE for QUADRO-PRO GALV

Part Number	Description	Box Qty	Price Each
238-FC-22-G-QP	Fixed Clip Basic Top, 22ga GALV	250	
238-FCS-22-G-QP	Fixed Clip Slotted Top, 22ga GALV	250	

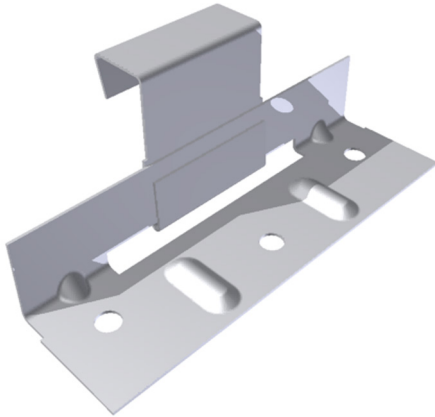
HIGH PERFORMANCE 2 3/8" FIXED CLIP 5/8" WIDE for QUADRO-PRO 304 SS

Part Number	Description	Box Qty	Price Each
238-FC-22-S-QP	Fixed Clip Basic Top, 22ga SS	250	
238-FCS-22-S-QP	Fixed Clip Slotted Top, 22ga SS	250	

EXPANSION CLIPS



1" EXPANSION CLIPS 3/8" WIDE TOP 7/32" DOWNLEG



1" EXPANSION CLIP GALV

Part Number	Description	Box Qty	Price Each
100-SAE-2626-G	1" Expansion Clip Assembly 26ga Top - 26ga Base Galv	500	\$0.26
100-SAE-2624-G	1" Expansion Clip Assembly 26ga Top - 24ga Base Galv	500	\$0.28
100-SAE-2424-G	1" Expansion Clip Assembly 24ga Top - 24ga Base Galv	500	\$0.29

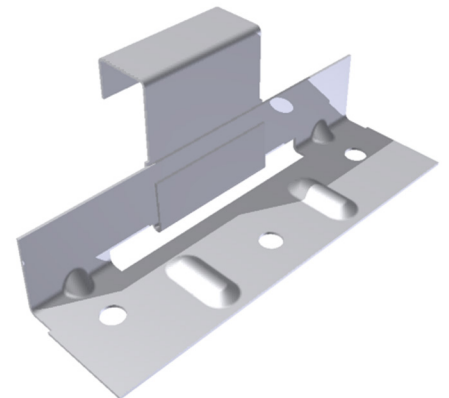
1" EXPANSION CLIP 304 STAINLESS

Part Number	Description	Box Qty	Price Each
100-SAE-2626-S	1" Expansion Clip Assembly 26ga Top - 26ga Base Stain	500	\$0.55
100-SAE-2624-S	1" Expansion Clip Assembly 26ga Top - 24ga Base Stain	500	\$0.55
100-SAE-2424-S	1" Expansion Clip Assembly 24ga Top - 24ga Base Stain	500	\$0.56

1" EXPANSION CLIP GALV

Part Number	Description	Box Qty	Price Each
100-SAE-2626-G-K	1" Expansion Clip Assembly 26ga Top - 26ga Base Galv	500	\$0.26
100-SAE-2624-G-K	1" Expansion Clip Assembly 26ga Top - 24ga Base Galv	500	\$0.28
100-SAE-2424-G-K	1" Expansion Clip Assembly 24ga Top - 24ga Base Galv	500	\$0.29

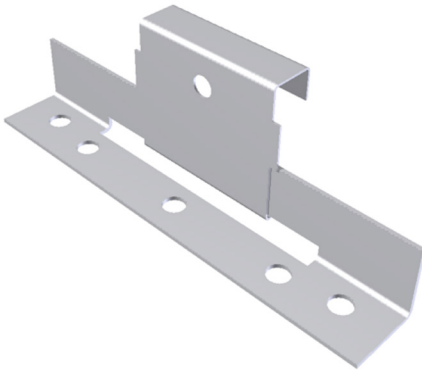
1" EXPANSION CLIPS 7/16" WIDE TOP 7/32" DOWNLEG



1" EXPANSION CLIP 304 STAINLESS

Part Number	Description	Box Qty	Price Each
100-SAE-2626-S-K	1" Expansion Clip Assembly 26ga Top - 26ga Base Stain	500	\$0.55
100-SAE-2624-S-K	1" Expansion Clip Assembly 26ga Top - 24ga Base Stain	500	\$0.55
100-SAE-2424-S-K	1" Expansion Clip Assembly 24ga Top - 24ga Base Stain	500	\$0.56

1-1/2" EXPANSION CLIPS
7/16" WIDE TOP
5/16" DOWNLEG



1-1/2" EXPANSION CLIP GALV

Part Number	Description	Box Qty	Price Each
150-SAE-2624-G	1-1/2" Expansion Clip Assembly 26ga Top - 24ga Base Galv	500	\$0.27
150-SAE-2422-G	1-1/2" Expansion Clip Assembly 24ga Top - 22ga Base Galv	500	\$0.29
150-SAE-2218-G	1-1/2" Expansion Clip Assembly 22ga Top - 18ga Base Galv	500	\$0.35

1-1/2" EXPANSION CLIP 304 STAINLESS

Part Number	Description	Box Qty	Price Each
150-SAE-2624-S	1-1/2" Expansion Clip Assembly 26ga Top - 24ga Base Stain	500	\$0.58
150-SAE-2422-S	1-1/2" Expansion Clip Assembly 24ga Top - 22ga Base Stain	500	\$0.64
150-SAE-2218-S	1-1/2" Expansion Clip Assembly 22ga Top - 18ga Base Stain	500	\$0.75

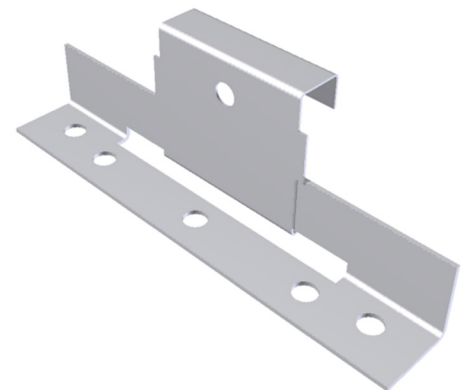
1-1/2" EXPANSION CLIP GALV

Part Number	Description	Box Qty	Price Each
150-SAE-2624-G-K	1-1/2" Expansion Clip Assembly 26ga Top - 24ga Base Galv	500	\$0.27
150-SAE-2422-G-K	1-1/2" Expansion Clip Assembly 24ga Top - 22ga Base Galv	500	\$0.29
150-SAE-2218-G-K	1-1/2" Expansion Clip Assembly 22ga Top - 18ga Base Galv	500	\$0.35

1-1/2" EXPANSION CLIP 304 STAINLESS

Part Number	Description	Box Qty	Price Each
150-SAE-2624-S-K	1-1/2" Expansion Clip Assembly 26ga Top - 24ga Base Stain	500	\$0.58
150-SAE-2422-S-K	1-1/2" Expansion Clip Assembly 24ga Top - 22ga Base Stain	500	\$0.64
150-SAE-2218-S-K	1-1/2" Expansion Clip Assembly 22ga Top - 18ga Base Stain	500	\$0.75

1-1/2" EXPANSION CLIPS
1/2" WIDE TOP
3/8" DOWNLEG

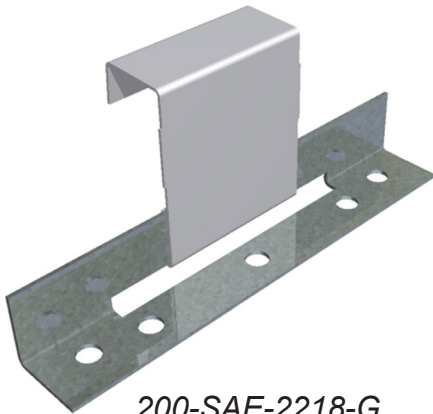


All clip pictures are artistic renderings of actual parts. Actual appearance may vary. Physical samples available upon request.

EXPANSION CLIPS



2" EXPANSION CLIPS 3/4" WIDE TOP 1/2" DOWNLEG



200-SAE-2218-G
is UL Classified



2" EXPANSION CLIP GALV

Part Number	Description	Box Qty	Price Each
200-SAE-2624-G	2" Expansion Clip Assembly 26ga Top - 24ga Base Galv	500	\$0.26
200-SAE-2422-G	2" Expansion Clip Assembly 24ga Top - 22ga Base Galv	500	\$0.28
200-SAE-2218-G	2" Expansion Clip Assembly 22ga Top - 18ga Base Galv	500	\$0.29

2" EXPANSION CLIP STAINLESS

Part Number	Description	Box Qty	Price Each
200-SAE-2624-S	2" Expansion Clip Assembly 26ga Top - 24ga Base Stain	500	\$0.46
200-SAE-2422-S	2" Expansion Clip Assembly 24ga Top - 22ga Base Stain	500	\$0.72
200-SAE-2218-S	2" Expansion Clip Assembly 22ga Top - 18ga Base Stain	500	\$0.85

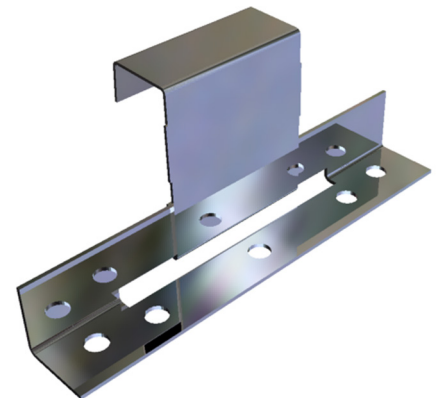
2" EXPANSION CLIP GALV

Part Number	Description	Box Qty	Price Each
200-SAE-2624-G-K	2" Expansion Clip Assembly 26ga Top - 24ga Base Galv	500	\$0.26
200-SAE-2422-G-K	2" Expansion Clip Assembly 24ga Top - 22ga Base Galv	500	\$0.28
200-SAE-2218-G-K	2" Expansion Clip Assembly 22ga Top - 18ga Base Galv	500	\$0.29

2" EXPANSION CLIP STAINLESS

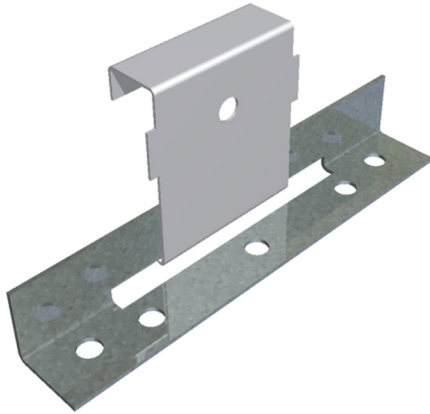
Part Number	Description	Box Qty	Price Each
200-SAE-2624-S-K	2" Expansion Clip Assembly 26ga Top - 24ga Base Stain	500	\$0.46
200-SAE-2422-S-K	2" Expansion Clip Assembly 24ga Top - 22ga Base Stain	500	\$0.72
200-SAE-2218-S-K	2" Expansion Clip Assembly 22ga Top - 18ga Base Stain	500	\$0.85

2" EXPANSION CLIPS 13/16" WIDE TOP 1/2" DOWNLEG



All clip pictures are artistic renderings of actual parts. Actual appearance may vary. Physical samples available upon request.

**2" EXPANSION CLIPS
5/8" WIDE TOP
3/8" DOWNLEG**



2" EXPANSION CLIP GALV

Part Number	Description	Box Qty	Price Each
200-SAE-2624-G-QP	2" Expansion Clip Assembly 26ga Top - 24ga Base Galv	500	\$0.26
200-SAE-2422-G-QP	2" Expansion Clip Assembly 24ga Top - 22ga Base Galv	500	\$0.28
200-SAE-2218-G-QP	2" Expansion Clip Assembly 22ga Top - 18ga Base Galv	500	\$0.29

2" EXPANSION CLIP STAINLESS

Part Number	Description	Box Qty	Price Each
200-SAE-2624-S-QP	2" Expansion Clip Assembly 26ga Top - 24ga Base Stain	500	\$0.46
200-SAE-2422-S-QP	2" Expansion Clip Assembly 24ga Top - 22ga Base Stain	500	\$0.72
200-SAE-2218-S-QP	2" Expansion Clip Assembly 22ga Top - 18ga Base Stain	500	\$0.85

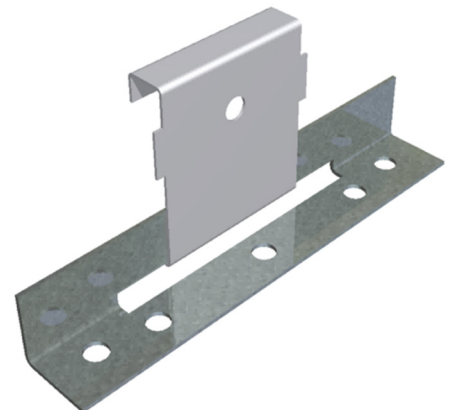
2" EXPANSION CLIP GALV

Part Number	Description	Box Qty	Price Each
2+50-SAE-2624-G	2" Expansion Clip Assembly 26ga Top - 24ga Base Galv	500	\$0.26
2+50-SAE-2422-G	2" Expansion Clip Assembly 24ga Top - 22ga Base Galv	500	\$0.28
2+50-SAE-2218-G	2" Expansion Clip Assembly 22ga Top - 18ga Base Galv	500	\$0.29

2" EXPANSION CLIP STAINLESS

Part Number	Description	Box Qty	Price Each
2+50-SAE-2624-S	2" Expansion Clip Assembly 26ga Top - 24ga Base Stain	500	\$0.46
2+50-SAE-2422-S	2" Expansion Clip Assembly 24ga Top - 22ga Base Stain	500	\$0.72
2+50-SAE-2218-S	2" Expansion Clip Assembly 22ga Top - 18ga Base Stain	500	\$0.85

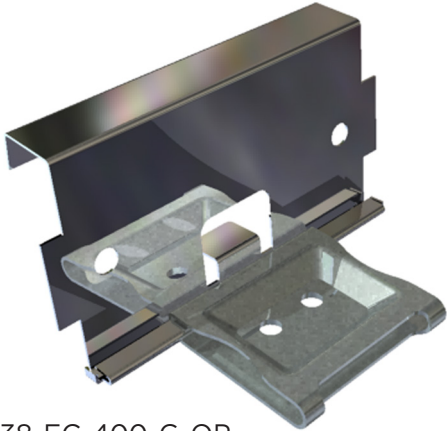
**2" EXPANSION CLIPS
7/16" WIDE TOP
5/16" DOWNLEG**



EXPANSION CLIPS



**2" EXPANSION CLIPS
PURLIN BASE
5/8" WIDE TOP
7/16" DOWNLEG**



238-EC-400-G-QP

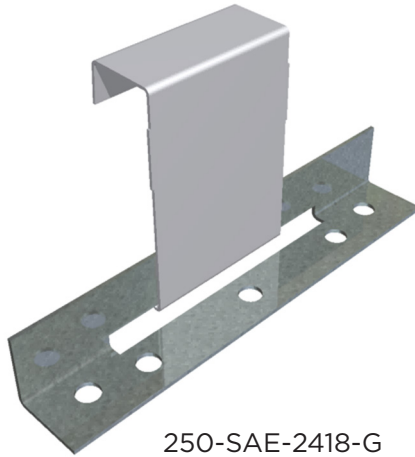
2" EXPANSION CLIP GALV

Part Number	Description	Box Qty	Price Each
238-EC-400-G-QP	2-3/8" Expansion Clip Assembly G-90 GALV TOP G-90 GALV BASE	200	\$0.84

2" EXPANSION CLIP 304 STAINLESS

Part Number	Description	Box Qty	Price Each
238-EC-400-S-QP	2-3/8" Expansion Clip Assembly 304 SS TOP G-90 GALV BASE	200	\$1.28

**2-1/2" EXPANSION CLIPS
3/4" WIDE TOP
1/2" DOWNLEG
24ga TOP**



250-SAE-2418-G

2-1/2"- EXPANSION CLIP GALV

Part Number	Description	Box Qty	Price Each
250-SAE-2422-G	2-1/2" Expansion Clip Assembly 24ga Top - 22ga Base - GALV	500	\$0.355
250-SAE-2420-G	2-1/2" Expansion Clip Assembly 24ga Top - 20ga Base - GALV	500	\$0.38
250-SAE-2418-G	2-1/2" Expansion Clip Assembly 24ga Top - 18ga Base - GALV	500	\$0.405

2-1/2"- EXPANSION 304 STAINLESS

Part Number	Description	Box Qty	Price Each
250-SAE-2422-S	2-1/2" Expansion Clip Assembly 24ga Top - 22ga Base - 304 STAINLESS	500	\$0.825
250-SAE-2420-S	2-1/2" Expansion Clip Assembly 24ga Top - 20ga Base - 304 STAINLESS	500	\$0.88
250-SAE-2418-S	2-1/2" Expansion Clip Assembly 24ga Top - 18ga Base 304 STAINLESS	500	\$0.92

2-1/2"- EXPANSION CLIP GALV

Part Number	Description	Box Qty	Price Each
250-SAE-2220-G	2-1/2" Expansion Clip Assembly 22ga Top - 20ga Base - GALV	500	\$0.395
250-SAE-2218-G	2-1/2" Expansion Clip Assembly 22ga Top - 18ga Base - GALV	500	\$0.42
250-SAE-2216-G	2-1/2" Expansion Clip Assembly 22ga Top - 16ga Base - GALV	500	\$0.45

2-1/2"- EXPANSION CLIP 304 STAINLESS

Part Number	Description	Box Qty	Price Each
250-SAE-2220-S	2-1/2" Expansion Clip Assembly 22ga Top - 20ga Base - 304 STAINLESS	500	\$0.91
250-SAE-2218-S	2-1/2" Expansion Clip Assembly 22ga Top - 18ga Base - 304 STAINLESS	500	\$0.95
250-SAE-2216-S	2-1/2" Expansion Clip Assembly 22ga Top - 16ga Base - 304 STAINLESS	500	\$1.01

**2-1/2" EXPANSION CLIPS
3/4" WIDE TOP
1/2" DOWNLEG
22ga TOP**



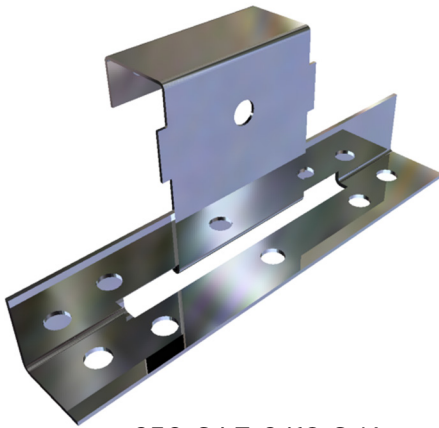
250-SAE-2218-S

All clip pictures are artistic renderings of actual parts. Actual appearance may vary. Physical samples available upon request.

EXPANSION CLIPS



**2-1/2" EXPANSION CLIPS
13/16" WIDE TOP
1/2" DOWNLEG
24ga TOP**



250-SAE-2418-S-K

2-1/2" 24GA 13/16" TOP EXP. CLIP GALV

Part Number	Description	Box Qty	Price Each
250-SAE-2422-G-K	2-1/2" Expansion Clip Assembly 24ga Top - 22ga Base - GALV	500	\$0.355
250-SAE-2420-G-K	2-1/2" Expansion Clip Assembly 24ga Top - 20ga Base - GALV	500	\$0.38
250-SAE-2418-G-K	2-1/2" Expansion Clip Assembly 24ga Top - 18ga Base - GALV	500	\$0.405

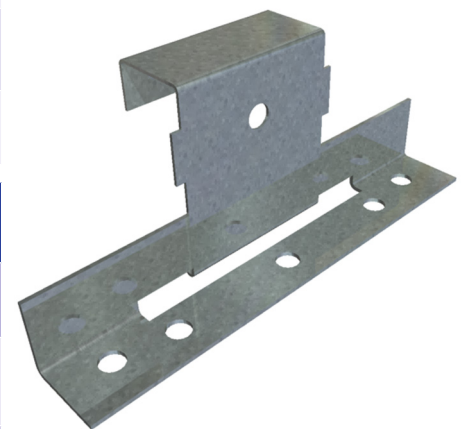
2-1/2" 24GA 13/16" TOP EXP. CLIP 304 STAINLESS

Part Number	Description	Box Qty	Price Each
250-SAE-2422-S-K	2-1/2" Expansion Clip Assembly 24ga Top - 22ga Base - 304 STAINLESS	500	\$0.825
250-SAE-2420-S-K	2-1/2" Expansion Clip Assembly 24ga Top - 20ga Base - 304 STAINLESS	500	\$0.88
250-SAE-2418-S-K	2-1/2" Expansion Clip Assembly 24ga Top - 18ga Base - 304 STAINLESS	500	\$0.92

2-1/2" EXPANSION CLIP GALV

Part Number	Description	Box Qty	Price Each
250-SAE-2220-G-K	2-1/2" Expansion Clip Assembly 22ga Top - 20ga Base - GALV	500	\$0.395
250-SAE-2218-G-K	2-1/2" Expansion Clip Assembly 22ga Top - 18ga Base - GALV	500	\$0.42
250-SAE-2216-G-K	2-1/2" Expansion Clip Assembly 22ga Top - 16ga Base - GALV	500	\$0.45

**2-1/2" EXPANSION CLIPS
13/16" WIDE TOP
1/2" DOWNLEG
22ga TOP**

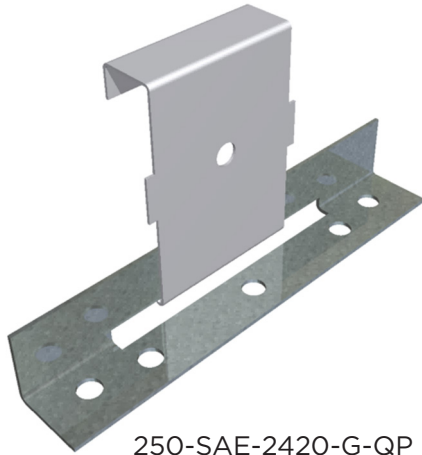


250-SAE-2216-G-K

2-1/2" EXPANSION CLIP 304 STAINLESS

Part Number	Description	Box Qty	Price Each
250-SAE-2220-S-K	2-1/2" Expansion Clip Assembly 22ga Top - 20ga Base - 304 STAINLESS	500	\$0.91
250-SAE-2218-S-K	2-1/2" Expansion Clip Assembly 22ga Top - 18ga Base - 304 STAINLESS	500	\$0.95
250-SAE-2216-S-K	2-1/2" Expansion Clip Assembly 22ga Top - 16ga Base - 304 STAINLESS	500	\$1.01

2 1/2" EXPANSION CLIPS
5/8" WIDE TOP
3/8" DOWNLEG
24ga TOP



250-SAE-2420-G-QP

2-1/2"- EXPANSION CLIP GALV

Part Number	Description	Box Qty	Price Each
250-SAE-2422-G-QP	2-1/2" Expansion Clip Assembly 24ga Top - 22ga Base - GALV	500	\$0.355
250-SAE-2420-G-QP	2-1/2" Expansion Clip Assembly 24ga Top - 20ga Base - GALV	500	\$0.38
250-SAE-2418-G-QP	2-1/2" Expansion Clip Assembly 24ga Top - 18ga Base - GALV	500	\$0.405

2-1/2" EXPANSION CLIP 304 STAINLESS STEEL

Part Number	Description	Box Qty	Price Each
250-SAE-2422-S-QP	2-1/2" Expansion Clip Assembly 24ga Top - 22ga Base - 304 STAINLESS	500	\$0.825
250-SAE-2420-S-QP	2-1/2" Expansion Clip Assembly 24ga Top - 20ga Base - 304 STAINLESS	500	\$0.88
250-SAE-2418-S-QP	2-1/2" Expansion Clip Assembly 24ga Top - 18ga Base - 304 STAINLESS	500	\$.92

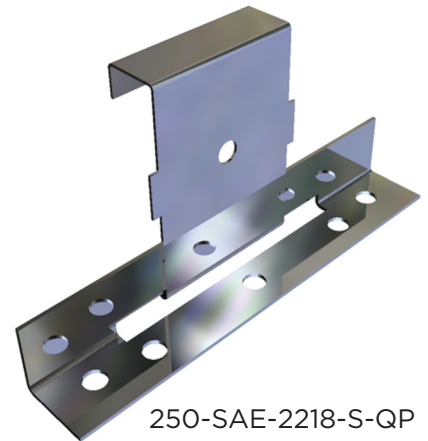
2-1/2"- EXPANSION CLIP GALV

Part Number	Description	Box Qty	Price Each
250-SAE-2220-G-QP	2-1/2" Expansion Clip Assembly 22ga Top - 20ga Base - GALV	500	\$0.395
250-SAE-2218-G-QP	2-1/2" Expansion Clip Assembly 22ga Top - 18ga Base - GALV	500	\$0.42
250-SAE-2216-G-QP	2-1/2" Expansion Clip Assembly 22ga Top - 16ga Base - GALV	500	\$0.45

2-1/2" EXPANSION CLIP 304 STAINLESS STEEL

Part Number	Description	Box Qty	Price Each
250-SAE-2220-S-QP	2-1/2" Expansion Clip Assembly 22ga Top - 20ga Base - 304 STAINLESS	500	\$0.91
250-SAE-2218-S-QP	2-1/2" Expansion Clip Assembly 22ga Top - 18ga Base - 304 STAINLESS	500	\$0.95
250-SAE-2216-S-QP	2-1/2" Expansion Clip Assembly 22ga Top - 16ga Base - 304 STAINLESS	500	\$1.01

2 1/2" EXPANSION CLIPS
5/8" WIDE TOP
3/8" DOWNLEG
22ga TOP



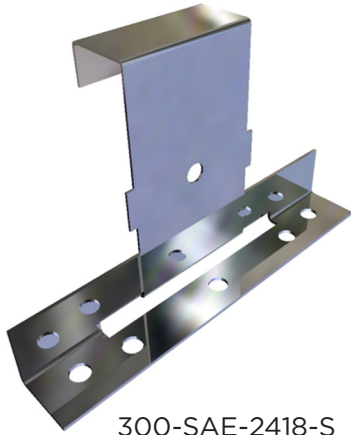
250-SAE-2218-S-QP

All clip pictures are artistic renderings of actual parts. Actual appearance may vary. Physical samples available upon request.

EXPANSION CLIPS



3" EXPANSION CLIPS
3/4" WIDE TOP
1/2" DOWNLEG
24ga TOP



300-SAE-2418-S

3"- EXPANSION CLIP GALV

Part Number	Description	Box Qty	Price Each
300-SAE-2422-G	3" Expansion Clip Assembly 24ga Top - 22ga Base - GALV	500	\$0.39
300-SAE-2420-G	3" Expansion Clip Assembly 24ga Top - 20ga Base - GALV	500	\$0.415
300-SAE-2418-G	3" Expansion Clip Assembly 24ga Top - 18ga Base - GALV	500	\$0.45

3" EXPANSION CLIP 304 STAINLESS

Part Number	Description	Box Qty	Price Each
300-SAE-2422-S	2-1/2" Expansion Clip Assembly 24ga Top - 22ga Base - 304 STAINLESS	500	\$0.825
300-SAE-2420-S	2-1/2" Expansion Clip Assembly 24ga Top - 20ga Base - 304 STAINLESS	500	\$0.93
300-SAE-2418-S	2-1/2" Expansion Clip Assembly 24ga Top - 18ga Base - 304 STAINLESS	500	\$0.97

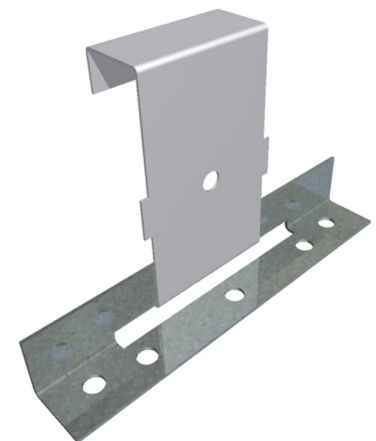
3"- EXPANSION CLIP GALV

Part Number	Description	Box Qty	Price Each
300-SAE-2220-G	3" Expansion Clip Assembly 22ga Top - 20ga Base - GALV	500	\$0.425
300-SAE-2218-G	3" Expansion Clip Assembly 22ga Top - 18ga Base - GALV	500	\$0.45
300-SAE-2216-G	3" Expansion Clip Assembly 22ga Top - 16ga Base - GALV	500	\$0.48

3" EXPANSION CLIP 304 STAINLESS

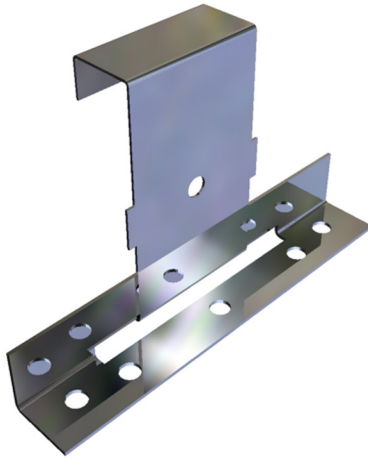
Part Number	Description	Box Qty	Price Each
300-SAE-2220-S	3" Expansion Clip Assembly 22ga Top - 20ga Base - 304 STAINLESS	500	\$0.97
300-SAE-2218-S	3" Expansion Clip Assembly 22ga Top - 18ga Base - 304 STAINLESS	500	\$1.01
300-SAE-2216-S	3" Expansion Clip Assembly 22ga Top - 16ga Base - 304 STAINLESS	500	\$1.07

3" EXPANSION CLIPS
3/4" WIDE TOP
1/2" DOWNLEG
22ga TOP



300-SAE-2218-G

3" EXPANSION CLIPS
13/16" WIDE TOP
1/2" DOWNLEG
24ga TOP



300-SAE-2420-S-K

3" EXPANSION CLIP GALV

Part Number	Description	Box Qty	Price Each
300-SAE-2422-G-K	3" Expansion Clip Assembly 24ga Top - 22ga Base - GALV	500	\$0.39
300-SAE-2420-G-K	3" Expansion Clip Assembly 24ga Top - 20ga Base - GALV	500	\$.415
300-SAE-2418-G-K	3" Expansion Clip Assembly 24ga Top - 18ga Base - GALV	500	\$0.45

3" EXPANSION CLIP 304 STAINLESS

Part Number	Description	Box Qty	Price Each
300-SAE-2422-S-K	3" Expansion Clip Assembly 24ga Top - 22ga Base - 304 STAINLESS	500	\$0.875
300-SAE-2420-S-K	3" Expansion Clip Assembly 24ga Top - 20ga Base - 304 STAINLESS	500	\$0.93
300-SAE-2418-S-K	3" Expansion Clip Assembly 24ga Top - 18ga Base - 304 STAINLESS	500	\$.97

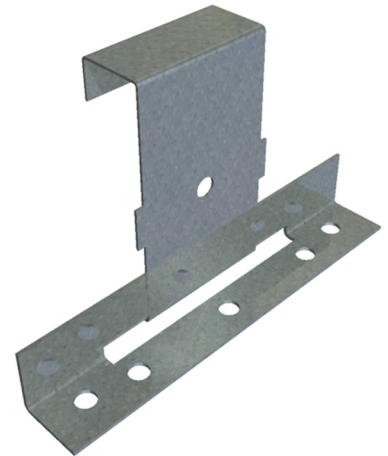
3" EXPANSION CLIP GALV

Part Number	Description	Box Qty	Price Each
300-SAE-2220-G-K	3" Expansion Clip Assembly 22ga Top - 20ga Base - GALV	500	\$0.425
300-SAE-2218-G-K	3" Expansion Clip Assembly 22ga Top - 18ga Base - GALV	500	\$.45
300-SAE-2216-G-K	3" Expansion Clip Assembly 22ga Top - 16ga Base - GALV	500	\$0.48

3" EXPANSION CLIP 304 STAINLESS

Part Number	Description	Box Qty	Price Each
300-SAE-2220-S-K	3" Expansion Clip Assembly 22ga Top - 20ga Base - 304 STAINLESS	500	\$0.97
300-SAE-2218-S-K	3" Expansion Clip Assembly 22ga Top - 18ga Base - 304 STAINLESS	500	\$1.01
300-SAE-2216-S-K	3" Expansion Clip Assembly 22ga Top - 16ga Base - 304 STAINLESS	500	\$1.07

3" EXPANSION CLIPS
13/16" WIDE TOP
1/2" DOWNLEG
22ga TOP



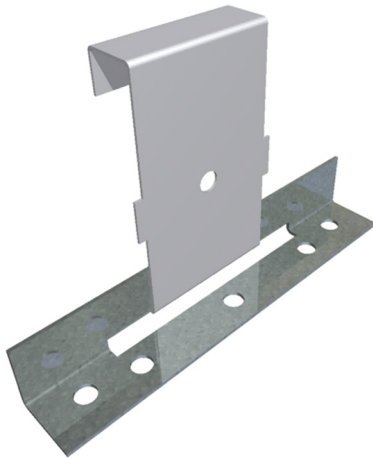
300-SAE-2218-G-K

All clip pictures are artistic renderings of actual parts. Actual appearance may vary. Physical samples available upon request.

EXPANSION CLIPS



3" EXPANSION CLIPS 5/8" WIDE TOP 3/8" DOWNLEG 24ga TOP



300-SAE-2420-G-QP

3" EXPANSION CLIP GALV

Part Number	Description	Box Qty	Price Each
300-SAE-2422-G-QP	3" Expansion Clip Assembly 24ga Top - 22ga Base - GALV	500	\$0.39
300-SAE-2420-G-QP	3" Expansion Clip Assembly 24ga Top - 20ga Base - GALV	500	\$0.415
300-SAE-2418-G-QP	3" Expansion Clip Assembly 24ga Top - 18ga Base - GALV	500	\$0.45

3" EXPANSION CLIP 304 STAINLESS

Part Number	Description	Box Qty	Price Each
300-SAE-2422-S-QP	3" Expansion Clip Assembly 24ga Top - 22ga Base - 304 STAINLESS	500	\$0.875
300-SAE-2420-S-QP	3" Expansion Clip Assembly 24ga Top - 20ga Base - 304 STAINLESS	500	\$0.93
300-SAE-2418-S-QP	3" Expansion Clip Assembly 24ga Top - 18ga Base - 304 STAINLESS	500	\$0.97

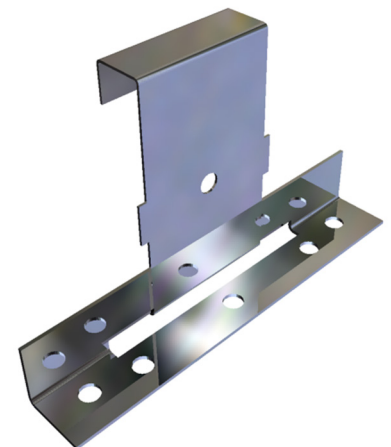
3" EXPANSION CLIP GALV

Part Number	Description	Box Qty	Price Each
300-SAE-2220-G-QP	3" Expansion Clip Assembly 22ga Top - 20ga Base - GALV	500	\$0.425
300-SAE-2218-G-QP	3" Expansion Clip Assembly 22ga Top - 18ga Base - GALV	500	\$0.45
300-SAE-2216-G-QP	3" Expansion Clip Assembly 22ga Top - 16ga Base - GALV	500	\$0.48

3" EXPANSION CLIP 304 STAINLESS

Part Number	Description	Box Qty	Price Each
300-SAE-2220-S-QP	3" Expansion Clip Assembly 22ga Top - 20ga Base - 304 STAINLESS	500	\$0.97
300-SAE-2218-S-QP	3" Expansion Clip Assembly 22ga Top - 18ga Base - 304 STAINLESS	500	\$1.01
300-SAE-2216-S-QP	3" Expansion Clip Assembly 22ga Top - 16ga Base - 304 STAINLESS	500	\$1.07

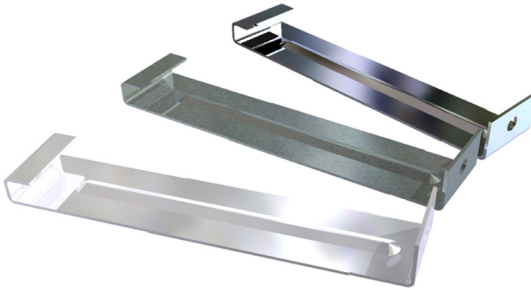
3" EXPANSION CLIPS 5/8" WIDE TOP 3/8" DOWNLEG 22ga TOP



300-SAE-2218-S-QP

GUTTER HANGERS

AMSI Gutter hangers fit a wide range of applications from 5" to 8" total depth. Our standard 18ga & 16ga galvanized hangers provide strength and durability, while our aluminum and stainless steel hangers offer enhanced corrosion resistance for harsher environments, or where the materials compatibility is an issue.



GUTTER HANGERS 18GA GALV

Part Number	Description	Box Qty	Price Each
GH-5-G	5" Gutter Hanger, 18ga Galv	200	\$0.58
GH-6-G	6" Gutter Hanger, 18ga Galv	200	\$0.63
GH-7-G	7" Gutter Hanger, 18ga Galv	200	\$0.67
GH-8-G	8" Gutter Hanger, 18ga Galv	200	\$0.72

GUTTER HANGERS 16GA GALV

Part Number	Description	Box Qty	Price Each
GH16-5-G	5" Gutter Hanger, 16ga Galv	200	\$0.64
GH16-6-G	6" Gutter Hanger, 16ga Galv	200	\$0.68
GH16-7-G	7" Gutter Hanger, 16ga Galv	200	\$0.72
GH16-8-G	8" Gutter Hanger, 16ga Galv	200	\$0.77

GUTTER HANGERS 18GA 304 STAINLESS

Part Number	Description	Box Qty	Price Each
GH-5-S	5" Gutter Hanger 18ga SS	200	\$1.50
GH-6-S	6" Gutter Hanger, 18ga SS	200	\$1.55
GH-7-S	7" Gutter Hanger, 18ga SS	200	\$1.57
GH-8-S	8" Gutter Hanger, 18ga SS	200	\$1.62

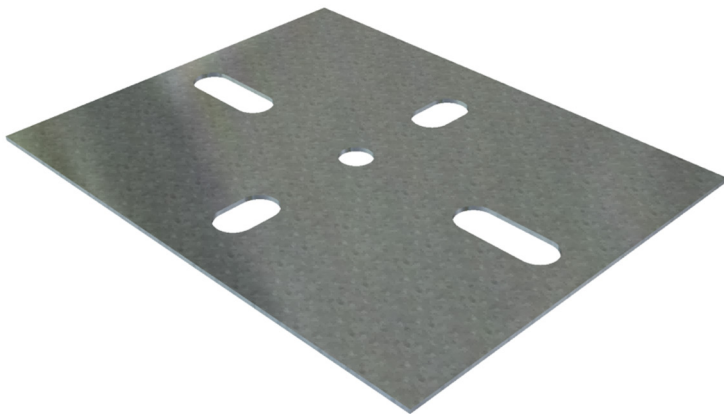
GUTTER HANGERS .063 ALUMINUM

Part Number	Description	Box Qty	Price Each
GH-5-AU	5" Gutter Hanger 18ga Alum	200	\$.71
GH-6-AU	6" Gutter Hanger, 18ga Alum	200	\$.73
GH-7-AU	7" Gutter Hanger, 18ga Alum	200	\$.75
GH-8-AU	8" Gutter Hanger, 18ga Alum	200	\$.77

BEARING PLATES -CALL FOR PRICING

AMSI Bearing plates are available in galvanized and stainless steel. We offer a variety of sizes and hole patterns to fit the specifications of your job.

When ordering or requesting a quote on bearing plates please specify material type and gauge along with width, length, hole diameter and number of holes. It is preferable that a drawing be supplied.



UNIVERSAL FIT

Our 4"x5" Universal Bearing Plate fits most standard clips. Other sizes available with the same hole pattern.

BEARING PLATES UL SNAPLOCK

Our 5"x6" bearing plate for the UL Snaplock clip fits most long style snaplock clips. The panel clip snaps into the slots of the bearing plate, making installation easier.



IMPORTANT NOTICE & WARNING REGARDING THE USE OF METAL ROOFING CLIPS

The purchaser or end user of the metal roofing clips shall be responsible for determining the proper use of the product, including, but not limited to, clip size & strength, clip gauge, clip spacing and proper use and quantity of screws for the specific application. The purchaser or end user of the metal roofing clips, upon acceptance of the product, assumes sole responsibility for determining the suitability of the product for any and all applications and uses.

A professional engineer should always determine the proper metal roof panel style and size, roof load/uplift requirements, clip size and strength, clip gauge, clip spacing and screw requirements for each and every use of the product. Always follow the directions of a professional engineer when using the product.

LIMITED EXPRESS WARRANTY

Architectural Metal Specialties, Inc. ("Seller"), hereby warrants its standing seam metal roofing clips ("Product") to be free from original defects in materials and workmanship for a period of one year from the date of manufacture if used in accordance with Seller's instructions and all applicable engineering guidelines, requirements and directions. If the Product should prove defective within the aforesaid one year period, Seller shall replace the Product. Any claim with respect to any defects in the Product shall be made within fourteen (14) days of the date on which and such defects are known, observed or otherwise discovered. Any claim made after fourteen (14) days of the date on which any such defects are known, observed, or otherwise discovered are expressly excluded and not covered by this Limited Express Warranty.

This warranty does not apply to normal wear or to any damages or defects resulting from or occurring from accident, misuse, abuse, improper installation, negligence, or neglect by any buyer or user of the product. Furthermore, Seller makes no express warranties other than the Warranty expressly set forth herein and there are no warranties which extend beyond the description on the face hereof. Except to the extent prohibited by applicable law, all implied warranties, including all warranties of merchantability, fitness for a particular purpose or arising from course of dealing with or usage of trade, are specifically and expressly excluded. This warranty specifically and expressly excludes all direct and incidental and consequential damages of any kind whatsoever and for any reason.

PAYMENT

We accept Discover, Mastercard, Visa & America Express cards, personal checks, company checks and money orders. For personal and company checks, there will be a delay in shipment until we receive bank approval. For credit cards, normally there may be a 24 hour delay in shipment pending credit card approval. In the case of credit card orders, if your order must ship the same day as ordered, please let us know at the time you place your order and we will make every effort to accommodate your request. All mailed and faxed credit card orders require the signature of the credit card holder. All orders charged to an AMSI credit account require a copy of your purchase order with job name and address. International orders must be faxed or emailed for verification and calculation of shipping charges. AMSI will not quote custom charges. All orders are to be paid in US dollars.

ORDERING

While we are happy to accept your verbal order over the phone, we recommend that you fax or email us your order in writing. This will help insure that your order is correct when shipped. If you do not use purchase orders, we have included an order form at the back of this catalog that you may copy and use. Please note that verbal orders are non-refundable in most cases.

RETURNED CHECKS/DELINQUENT ACCOUNTS

Returned checks will be assessed a \$35.00 fee. Any account over past due may be charged interest in the amount of 18% per annum, from the date of the original purchase. Any account determined to be habitually delinquent will be changed to COD terms. If referred to collections, the account holder will be held liable for any and all costs of collection including interest, collection agency fees and attorney's fees.

SAME DAY SHIPPING

Most small in-stock orders received by 2:00pm Eastern Standard time will ship same day, however larger orders may ship the next business day. If your order is time critical, please let us know at the time you place your order and ask for verification of ship date.

DELIVERY SCHEDULES

While we can provide an estimated delivery date based on our carriers published time schedules, we cannot guarantee a specific delivery date. When placing your order, please allow sufficient time for delivery.

RETURNS & EXCHANGES

We want you to be happy with your purchase, but, if for any reason you are not satisfied, we will be happy to accept returns within thirty (30) days under certain guidelines. 1) Merchandise must be in unused condition, in original packing. We will not accept your return if the materials have been used, modified or are damaged in any way. 2) Returns sent without our pre-approval will not be accepted. 3) returns sent freight COD will not be accepted. 4) Returns for any reason other than our error (for example: defective parts or materials or incorrect items) will be charged a 25% restocking, as well as shipping costs. 5) Orders placed verbally are non-returnable and non-refundable in most cases.

DAMAGED MERCHANDISE

If your shipment arrives with obvious damage, please REFUSE the package or mark as damaged on the shipping ticket. If you find the damage after you have accepted the package, please notify us immediately. We will handle it from there. Please do not return the item without notifying us first. It could jeopardize your claim. Save all paperwork and packaging materials with the damaged goods. (The carrier may wish to inspect before processing the claim)

DEFECTIVE MERCHANDISE

If you receive defective merchandise, please call us for return instructions. In most cases, we will accept returns and make adjustments in compliance with our RETURNS & EXCHANGES terms and conditions. If you received roof panel clips, please make sure your rollforming machine is within the machine manufacturer's specified tolerances; an out of adjustment machine can cause a well manufactured clip to fit improperly.

WARRANTY SERVICE

If the product carries a warranty and requires service or replacement, we require that you notify us in writing within thirty (30) days of discovery of a problem covered under the written warranty provided at time of purchase. The end user of the product shall be responsible for determining the suitability of the product for its intended use and shall assume all risk and liability in connection therewith.

PRICING

While we make every effort to ensure that the information contained in this catalog is correct and up to date, all prices are subject to change without notice. Please verify current pricing when placing your order.



Architectural Metal Specialties, Inc.

4333 Lynwood Ct. Douglasville, GA 30134

Phone: 770.920.1931 TOLL FREE: 800.943.9771 Fax: 770.920.6838

Company: _____

Address: _____

Telephone: _____ Fax: _____

Type of Business: (circle one) Sole Owner Partnership Corporation YEARS in BUSINESS: _____

PARTNERS or CORPORATE OFFICERS

1-NAME, TITLE, PHONE: _____

2-NAME, TITLE, PHONE: _____

3-NAME, TITLE, PHONE: _____

BANK REFERENCES

BANK NAME & ADDRESS: _____

FAX #: _____ ACCT #: _____ TYPE OF ACCOUNT: _____

BANK NAME & ADDRESS: _____

FAX #: _____ ACCT #: _____ TYPE OF ACCOUNT: _____

TRADE REFERENCES (List Company Name, Address & FAX Number)

1- _____

2- _____

3- _____

I certify that the above information is true and correct to the best of my knowledge. By signing below, I hereby authorize the companies and/or individuals listed above to release information to Architectural Metal Specialties, Inc. for the sole purpose of establishing an account with Architectural Metal Specialties, Inc.

Printed Name and Title

Signature

Date

TERMS: Upon credit approval, net thirty (30) days, unless otherwise specified. All accounts over thirty (30) days are subject to 1-1/2% service charge (annual rate 18%) and all costs of collection including reasonable attorneys fees.

Returned checks will be assessed a \$30.00 fee.



HOURS OF OPERATION:
 MONDAY-THURSDAY 8AM-5PM, FRIDAY 8AM-4PM

FAX: 770-920-6838

BILLING ADDRESS:

NAME: _____
 ADDRESS: _____
 CITY: _____ STATE: _____ ZIP CODE: _____
 PHONE: _____ FAX: _____

SHIPPING ADDRESS:

NAME: _____
 ADDRESS: _____
 CITY: _____ STATE: _____ ZIP CODE: _____
 PHONE: _____ FAX: _____

PURCHASE ORDER NO.: _____
 (PLEASE FAX COPY OF PO WITH ORDER)

PART NUMBER	CATALOG PAGE	DESCRIPTION	QTY	UNIT PRICE	TOTAL PRICE

TOTAL PRICE:	
APPLICABLE SALES TAX:	
SHIPPING & HANDLING: (CALL FOR SHIPPING QUOTE)	
TOTAL:	

METHOD OF PAYMENT

(CIRCLE ONE)

AMSI ACCOUNT CHECK / MONEY ORDER COD MASTERCARD VISA AMEX DISCOVER

CREDIT CARD NO: _____ EXPIRATION DATE: _____

SIGNATURE: _____ DATE: _____

DELIVERY: Orders are normally shipped via UPS Ground or common carrier based on size of order. Please call for shipping costs and ETA. We offer rush shipment on in-stock items for an additional fee. Nextday Air & 2nd-Day Air are available to most locations. duties and taxes are the responsibility of the recipient and will be billed by the carrier.

EXPRESS DELIVERY: For Canadian and other International orders,

Inside Back Cover



Architectural Metal Specialties, Inc.

4333 Lynwood Ct. Douglasville, GA 30134

Phone: 770.920.1931 TOLL FREE: 800.943.9771 Fax: 770.920.6838

July 2017